

EXCEPTIONAL ENGINEERING | ROCK SOLID | EXTENSIVE TESTING

DEFINING
RUGGED



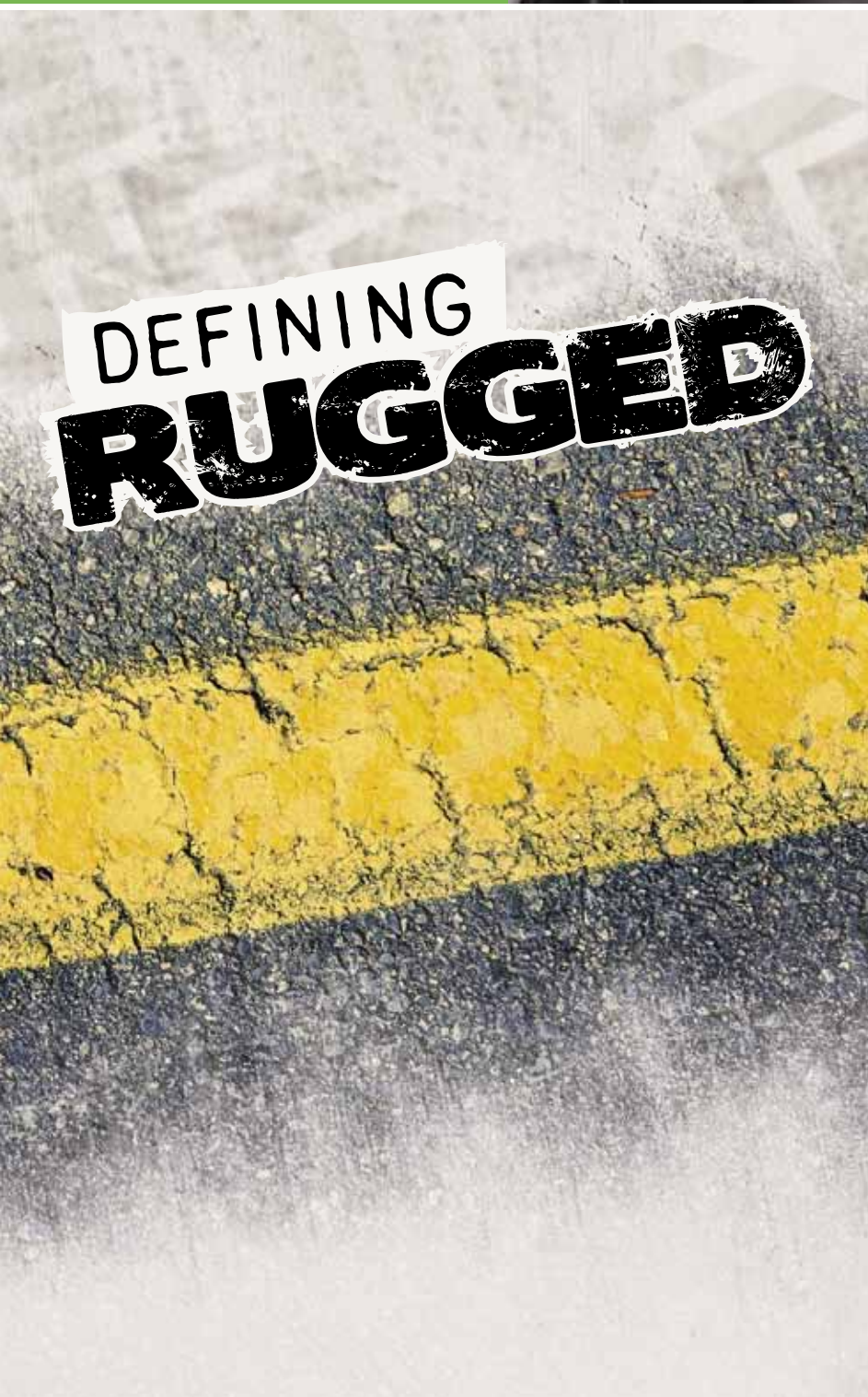
2014 VEHICLE MOUNTING CATALOG

 **GAMBER[®]
JOHNSON**

Very Well Connected[™]

An ISO 9001:2008 Certified Company

Table of Contents



- **Our Commitment...**
 - Quality, Terms & Warranty..... 2

- **Guide to Gamber-Johnson** 3-5
 - Mounting Systems RoHS/WEEE
 - Installation Certified Installer Program
 - Air Bag Safety

- **Vehicle Bases** 10-27

- **Vehicle Base Reference Guide**..... 12-13

- **Poles**..... 28-31
 - Complete Poles
 - Lower Tubes
 - Upper Poles
 - Low Profile Brackets
 - Accessories

- **Motion Attachments** 32-37

- **Mission Control System (MCS Series)** ... 38-63
 - Vehicle Leg Kits
 - Console Boxes
 - Top Plates
 - Accessories
 - Trunk Mounting Shelves
 - Faceplate Guide

- **Mobile Workstations** 64-65

- **Forklifts** 66-70

- **Keyboard/Printer Mounts**..... 71-74

- **Cradle and Docking Stations**..... 75-99
 - Universal Computer Mounts Panasonic
 - Accessories Motorola
 - Dell
 - Getac

- **TabCruzer**..... 100-103

- **MAX³** 104-106

- **Index**..... 107-108



This catalog, including images, may not be reproduced partly or fully without the expressed written consent of Gamber-Johnson's marketing department.



Our Commitment-Quality, Terms & Warranty

AN ISO 9001:2008
CERTIFIED
COMPANY.



Gamber-Johnson's Quality Policy

*It is the Quality Policy of
Gamber-Johnson LLC to
provide products and services
that meet or exceed our
customer's expectations.
This commitment is achieved
through compliance to our
quality program, pursuit of
continual improvement, and
quality stewardship among all
associates.*

GAMBER-JOHNSON COMMITMENT TO QUALITY

Our quality in product integrity is forged through our focus on developing the best mounting systems and docking stations for efficient use in a mobile workforce environment. We design both core and custom products that reflect changing trends and market demands. The result is leading innovation and long-lasting, dependable products.

Our quality in service is enhanced by our team approach. Our customer service, inside sales, marketing and administration representatives are well trained to work together to provide rapid response to your inquiries and to help you solve problems fast.

There are three methods you can use to contact us:

Phone: 1-800-456-6868 • 1-715-344-3482

Fax: 1-715-344-5209

Email: gamberj@gamberjohnson.com

Gamber-Johnson has teamed with partners, resellers and installers in several markets to further extend our service to you. This means that we can provide instant access to Gamber-Johnson products, expert knowledge and quality installation no matter where you are located. Contact our sales team for a complete list of our authorized resellers.

SHIPPING

All products are shipped FOB factory. Freight is prepaid and charged to the customer. All freight is shipped UPS regular ground unless otherwise requested. Partial shipments due to stock levels will be made only when agreed upon by the customer at the time of order.

UPS 2-day and Overnight shipping options are also available. In addition, other freight arrangements can be made. An approximate shipping cost can be quoted when an order is placed.

Please note: Gamber-Johnson reserves the right to suspend regular shipping practices during the event of a shipper interruption and/or work stoppage.

PACKAGING

Product can also be bulk packaged or assembled as complete units and shipped, but may incur some additional cost. Please note how product should be packaged or assembled at the time of order. Also, please ask about custom packaging options when placing an order.

CHANGES/CONDITIONS

Due to continual research, development and market assessment, Gamber-Johnson reserves the right to make changes in specifications and prices without notice or obligation to modify products previously shipped.

LIMITED LIFETIME WARRANTY

Gamber-Johnson warrants to the Reseller and the original end user of any Gamber-Johnson product that it will be free from defects in materials and workmanship for the warranty time period.

The remedies for a defect in material or workmanship are limited to repair or replacement of any non-conforming product. Gamber-Johnson will repair or replace, without charge, any Gamber-Johnson product that does not conform to its warranty only if a Reseller or an original end user gives us notice of a defect in material or workmanship within the warranty time period stated below:

Mounting Systems (non-electronic products) — All non-electronic products purchased after Dec. 31st, 2009 are protected by Gamber-Johnson's lifetime limited warranty. For any warranty related issues of products purchased prior to Dec. 31st 2009, please contact your Gamber-Johnson's authorized reseller. All MAX3 products come with a standard one year product warranty.

Mobile Docking Stations & Electronic Products — Warranty time period (from date of original factory shipment) for printed circuit boards, docking connectors, electronic components may vary. Please see individual specifications on these products for further warranty information. All non-electronic components for Mobile Docking Stations are warranted to the limited lifetime warranty.

To obtain specific warranty time periods please visit our online Warranty page at www.gamberjohnson.com/warranty.

Any failure of any Gamber-Johnson product that is due to damage or misuse, such as excessive force, improper installation, or application of power in excess of specified ratings is not covered by this warranty. The warranty is void on electronic products if the warranty label is removed or altered.

GAMBER-JOHNSON WILL NOT BE RESPONSIBLE FOR ANY INCIDENTAL, CONSEQUENTIAL (INCLUDING LOSS OF BUSINESS OR PROFITS) OR PUNITIVE DAMAGES DUE TO FAILURE OF A GAMBER-JOHNSON PRODUCT. INCIDENTAL, CONSEQUENTIAL AND PUNITIVE DAMAGES ARE EXCLUDED FROM THIS LIMITED WARRANTY. THE FOREGOING WARRANTY IS A LIMITED WARRANTY. THERE ARE NO OTHER WARRANTIES, EXPRESS OR IMPLIED, WHICH EXTEND BEYOND THE DESCRIPTION OF THE WARRANTIES ON THE FACE HEREOF INCLUDING BUT NOT LIMITED TO THE IMPLIED WARRANTIES OF FITNESS AND MERCHANTABILITY.

For warranty concerns or questions, please contact Gamber-Johnson at 800-456-6868.

Return Materials Authorization (RMA)/Return Policy

Return to Stock (RTS) - Product being returned for credit due to customer purchasing or shipping error must be returned within 30 days of ship date. An RMA number must be obtained from Gamber-Johnson prior to the return of any merchandise. Products purchased through a Reseller of Gamber-Johnson must have the RMA number obtained by the Reseller from Gamber-Johnson. Shipping costs are the responsibility of the customer and a restocking fee of 15% of goods returned will be assessed. Additional costs may apply in unusual circumstances (e.g. large order quantities). We will do our best to work with you in good faith to minimize the cost. Product not in resalable condition or custom orders cannot be returned.

Return for Repair (RFR) - An RMA number must be obtained from Gamber-Johnson prior to the return of any product for Warranty and Non Warranty repairs. For non-warranty repairs, a \$35.00 diagnostic fee will be charged per docking station. The fee will be included in the quoted cost for repair. If the customer decides not to repair the unit, only the diagnostic fee will be billed to the customer. Customer approval and payment arrangements for repairs must be received within 60 days of quotation of all non-warranty products. If approval and/or payment arrangement is not provided to Gamber-Johnson, the unrepaired product(s) will be shipped back to the customer at their expense.

Warranty Claim Returns - In order to return a product covered under the Gamber-Johnson Limited Warranty an RMA number must be obtained from Gamber-Johnson. Products purchased through a Reseller of Gamber-Johnson must have an RMA number obtained by the invoiced Reseller, from Gamber-Johnson. The Gamber-Johnson Receiving Department cannot accept returns without an RMA number. If a return arrives to Gamber-Johnson without a RMA number, the package(s) will be refused and shipped back at the customer's expense. Please package the product with a note detailing the failure and indicate where and when the unit was purchased. Be sure to include your full name, address, phone number and e-mail address.

Upon receiving the equipment, Gamber-Johnson will perform diagnostics to determine the cause of product failure. If the unit is covered under warranty, the unit will be repaired and returned to you. If it is determined that the repairs are not covered under warranty, Gamber-Johnson will notify you with the findings and cost to perform the repairs. If we do not receive a payment arrangement or a response from you within 60 days of the issuance of the quote, Gamber-Johnson will return the product unrepaired at the customer's expense.

To obtain an RMA number please visit our online RMA submission form at www.gamberjohnson.com/rma.

Repair Warranty

Repairs completed by Gamber-Johnson are warranted for a period of 90 days from completion of repair (unless otherwise specifically stated) or the balance of the warranty remaining on the product; whichever is longer. All other terms and conditions remain the same as set forth in the warranty above.

Guide to Gamber-Johnson

MOUNTING SYSTEMS

For years, Gamber-Johnson has been known for the modular design of our mounting systems. Unlike other competitive models, our components easily mix-and-match to fit your needs. In fact, Gamber-Johnson has the widest variety of stocked products, accessories and options in the industry to make configuring your mounting system that much easier and faster. Our system proves to be especially helpful in future years when your vehicle or computer/communications mounting needs may change.

STANDARD MOUNTING SYSTEMS

Together, products from the categories listed below combine to make our standard mounting systems.

Vehicle Bases (pg. 10-27)

The vehicle base secures the entire mounting system to the vehicle. All of our bases are constructed of heavy-duty steel for long-lasting use. Some vehicle bases require drilling while some do not. If a lower tube is not already welded to the vehicle base, you will need to order it separately.

OR

Mission Control System (MCS Series) (pg. 38-63)

The MCS mounting system is generally used in the public safety industry. It is primarily favored for mounting multiple radios and equipment low and out of the air bag zone. You can also easily integrate computer mounts on these bases by attaching a pole assembly.

OR

Mobile Workstations (pg. 64-65)

Mobile Workstations are generally used in the utility industry. They consist of a center console system with a computer platform and/or a locking storage space for devices and supplies. You can easily integrate computer mounts on the computer platform by attaching any motion attachment.

Poles (pg. 28-31)

Together the lower tubes and upper poles offer varying height and distance of the computer system. There are also several accessories that solve problems from quick-release to vibration.

Motion Attachments (pg. 32-37)

Motion Attachments join the Upper Pole and Cradle or Docking Stations to provide tilting, swiveling, sliding and extending capability.

Cradle and Docking Stations (pg. 75-99)

The NotePad™ universal computer mount is the preferred solution for safely securing laptop computers in vehicles. It adjusts to fit the width, depth and thickness dimensions of virtually any laptop, sub-notebook or pen computer available. Products that provide regulated voltage and additional ports can be combined with the NotePad™ universal computer mount to provide greater computing capabilities while on the road.

Specific rugged mobile computer solutions and docking stations for Panasonic, Motorola, Itronix and Dell are full-featured and designed specifically for in-vehicle use.

Keyboard/Printer Mounts (pg. 71-74)

Gamber-Johnson offers several peripheral mounts to complete your mounting system.

Alternative MOUNTING SYSTEMS

Radio Racks (visit www.gamberjohnson.com)

All-in-one vertical, horizontal and angled radio racks that mount directly to the vehicle floor or transmission hump.

Slide Mounts (visit www.gamberjohnson.com)

Mobile radio mounts that allow for quick installation and removal of your radio. There is no manual connection or disconnection of wires.

INSTALLATION

Gamber-Johnson designs our vehicle bases to be attached two different ways. Most of our vehicle bases install using the existing seat studs in the vehicle. This design allows for a clean and secure installation and eliminates the need for drilling holes. Some other bases require drilling holes into the mounting surface to secure the bases. Please check the specifications of each base before ordering to determine if drilling is required or not.

AIR BAG SAFETY

Gamber-Johnson strongly recommends that all Gamber-Johnson product, and the computers and/or equipment mounted on them, be installed safely out of a vehicle's Air Bag Zone. Our products are "Air Bag Safe" if, and only if, the installation provider installs the products in conformance with the instructions and vehicle manufacturer's specifications for after-market equipment installation. If these products are not installed properly, they may interfere with the deployment of an air bag thereby preventing the air bag from operating properly and/or causing injury. Gamber-Johnson advises that you consult with your installation provider in advance and specifically state the location where you want your mounting system installed.

GAMBER-JOHNSON THINKING GREEN: ROHS, WEEE, AND OTHER ENVIRONMENTAL PROGRAMS

Gamber-Johnson is committed to protecting and preserving the environment and being a responsible global corporate citizen. We are dedicated to complying with the requirements of all applicable environmental legislation and regulations wherever our products are marketed or sold including initiatives adapted by the European Union, known as RoHS and WEEE.

RoHS Compliance Program

Gamber-Johnson strives to eliminate RoHS restricted substances from our products. This process is achieved using the following four step plan:

- Identify and prioritize products that fall within the scope of the RoHS and WEEE directives.
- Perform bill of material scrubbing on existing products to determine compliant components and processes, eliminate or replace non-compliant.
- Design new products with material specifications containing less than the allowable levels of the restricted substances.
- Request certificates or material declarations from our suppliers and perform second-party audits of suppliers to ensure continued compliance. Random testing of components using XrF, chemical analysis, or other testing methods.

All new Gamber-Johnson products are designed using RoHS compliant materials. Many legacy products are also RoHS compliant. Please visit our web site for a complete listing of RoHS compliant Gamber-Johnson products.



Example 1



Example 2

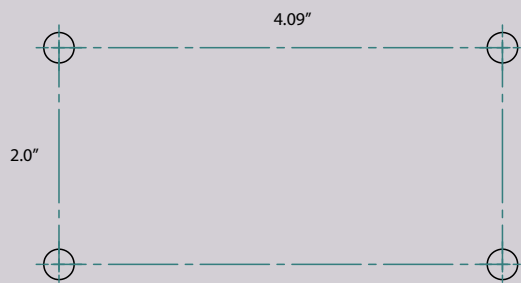


Example 3



This catalog, including images, may not be reproduced partly or fully without the expressed written consent of Gamber-Johnson's marketing department.

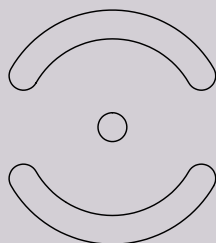
Gamber-Johnson Hole Patterns



Gamber-Johnson Hole Pattern

The Gamber-Johnson Hole Pattern is a 2x4 pattern specific to Gamber-Johnson products.

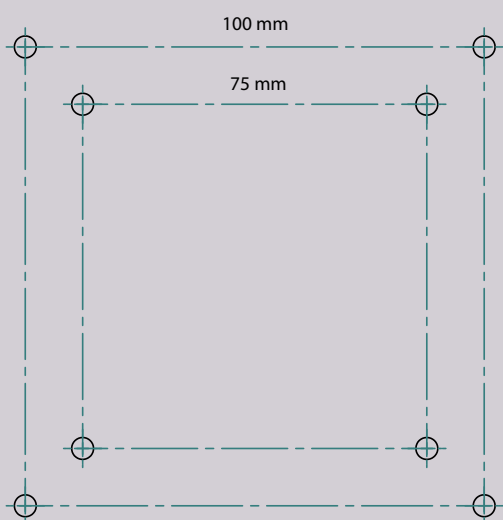
Where Used: You will find the Gamber-Johnson Hole Pattern on all Gamber-Johnson docking station, cradles and motion attachments. It is used to mount the motion attachment to the docking station or cradle.



Gamber-Johnson "Smiley Faced" Hole Pattern

The Gamber-Johnson "Smiley Faced" Hole pattern is a specific pattern to Gamber-Johnson products that allows for swivel.

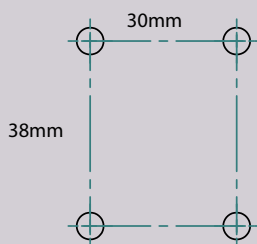
Where Used: You will find the Gamber-Johnson "Smiley Faced" Hole Pattern on most upper poles (i.e. DS-UPPER, QADJ-UPPER-M, etc...) and a few console boxes (i.e. Dodge Charger Specific Consoles, Low Profile Ergonomic Console, MCS-COMBRKT, etc...). It is used to mount a motion attachment or Computer Display Bracket (pg. 80) to the upper pole or console box and allow for swivel capabilities.



75mm & 100mm VESA Hole Pattern

The 75mm and 100mm VESA Hole Pattern is part of a family of standards as defined by the Video Electronics Standards Association for mounting flat panel monitors, TVs, and other displays to stands or wall mounts. VESA Pattern consists of four screws arranged in a square, with the horizontal and vertical distance between the screw centers. 100mm is the most common hole pattern but the 75mm standard was defined for smaller displays.

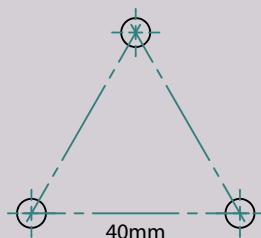
Where Used: You will find VESA Hole Pattern on certain Gamber-Johnson docking stations (Panasonic B1 [pg. 84], GI [pg. 85], H2 [pg. 93-94]), on MAX3 VESA Device Mounting plate (pg. 106), Camera Visor Mount (pg.47) and on certain motion attachments used to mount displays (i.e. any Clam Shell for forklifts [pg. 68] or on the Universal Adapter Plate [pg. 37]).



AMPS Hole Pattern

Most electronics manufacturers have adopted a common hole pattern for mounting their devices. This pattern is often called an AMPS hole pattern. This is a rectangular pattern measuring 30 X 38mm.

Where Used: You will find the AMPS Hole Pattern on certain Gamber-Johnson docking stations (TabCruzer for iPad [pg. 101-103]), on MAX3 Round Mounting plates (pg. 106), Camera Visor Mount (pg. 47) and on certain motion attachments used to mount displays (i.e. any Clam Shell for forklifts [pg. 68] or on Clevis models like [7160-0162, pg. 33]).



NEC Triangle Hole Pattern

Electronics manufacturers have adopted a common hole pattern for mounting their devices. This pattern is often called a NEC Triangle hole pattern. This is a triangle pattern measuring 40mm on each side. Most often the NEC and AMPS pattern are found on the same mounting device.

Where Used: You will find NEC Hole Pattern on certain Gamber-Johnson docking stations (TabCruzer for iPad [pg. 101-103]), on MAX3 Round Mounting plates (pg. 106), Camera Visor Mount (pg. 47) and on certain motion attachments used to mount displays (i.e. any Clam Shell for forklifts [pg. 68] or on Clevis models like [7160-0162, pg. 33]).

Guide to Gamber-Johnson

COMMERCIAL VEHICLE PRODUCTS: A FAMILY OF BRANDS

Commercial Vehicle Products (CVP) is a family of brands committed to bringing innovative and meaningful products to the mobile workspace. Through our unified network of brands, CVP is the industry's single source for the seamless delivery of cutting-edge, mobile business applications. Our family of brands includes:

- Masterack: Van interior shelving and truck equipment accessories designer, manufacturer and installer.
- Crown North America: Automotive original equipment manufacturer (OEM) program accessories provider.
- Gamber-Johnson: Rugged docking stations and vehicle mounts manufacturer.

MASTERACK

Masterack, a CVP company since 1972, manufactures designs and installs van interior storage solutions and truck accessories in mobile business applications.

Most notably known for its patented ladder rack system, Masterack made mobile convenience standard with the invention of the industry's first roof-mounted ladder rack system in 1972. Today, Masterack's reputation for manufacturing and installing high quality ladder rack systems for the commercial vehicle industry is second to none.

GAMBER-JOHNSON'S CERTIFIED INSTALLER PROGRAM

Certified Installer Program aims at training and certifying qualified resellers and installation providers. By putting the Gamber-Johnson "stamp of approval" on how these organizations install our product, we can assure our customers that not only is their mounting system well-designed and manufactured to quality standards, but that it also is installed correctly, professionally and safely.

To become certified, providers need to have their installation staff attend a 1-2 day intensive session that emphasizes:

- Proper mounting system/hardware selection
- Best wiring practices
- Air bag safety
- Customer service skills
- Product / installation warranty

CROWN NORTH AMERICA

Crown North America, a CVP company since 2000, is an automotive original equipment manufacturer (OEM) program accessories provider. The company provides commercial equipment and vehicle up-fit packages to some of the nation's most recognized automotive brands.

Crown North America delivers and upfits each vehicle with the utmost level of resourcefulness and excellence while meeting the highest automotive and engineering standards. The vehicle packages at Crown North America are specifically designed to decrease outfit time and to reduce the time lost for vehicles to begin in-service operation.

masterack[®]
COMMERCIAL VEHICLE EQUIPMENT



Gamber-Johnson, an ISO 9001:2008 certified designer and manufacturer of mobile mounting equipment, extends its expertise in providing installation training based on the latest industry criterion and provides a thorough understanding of new and developing standards. In addition, an end-user survey is administered with every certified installation to ensure customer satisfaction. If any issues are raised, Gamber-Johnson will perform an audit of the installation, and if necessary, will take immediate corrective action.

For more information or to see a list of current certified installers, visit our website at www.gamberjohnson.com.



Recommended Vehicle Solution



Ford Sedan Police Interceptor

CONSOLE SYSTEM

Recommended Solution:

- Vehicle Specific Console Box (7160-0409) (pg 45)
- Four Motion Attachment (7160-0285) (pg 35)



Ford Utility Police Interceptor

CONSOLE SYSTEM

Recommended Solution:

- Vehicle Specific Console Box (7160-0411) (pg 44)
- 9" Locking Slide Arm - Mongoose (7160-0220) (pg 36)



2014 Chevrolet Caprice PPV

VEHICLE PEDESTAL SYSTEM

Recommended Solution:

- Vehicle Base (7160-0532) (pg 27)
- Lower Tube (DS-LOWER-9) (pg 29)
- Center Upper Pole (7160-0178) (pg 29)
- 9" Locking Slide Arm - Mongoose (7160-0220) (pg 36)
- Support Brace (7160-0230) (pg 31)



2014 Chevrolet Caprice PPV

CONSOLE SYSTEM

Recommended Solution:

- Vehicle Specific Console Box (7160-0521-01) (pg 40)
- 6" Locking Slide Arm (7160-0500) (pg 34)

For a list of packaged solutions visit our website.



Dodge Charger

VEHICLE PEDESTAL SYSTEM

Recommended Solution:

- Vehicle Base (7160-0329) (pg 24)
- Lower Tube (DS-LOWER-13) (pg 29)
- Center Upper Pole (7160-0178) (pg 29)
- 9" Locking Slide Arm - Mongoose (7160-0220) (pg 36)
- Support Brace (7160-0230) (pg 31)



Dodge Charger

CONSOLE SYSTEM

Recommended Solution:

- Vehicle Specific Console Box (7160-0327) (pg 43)
- Four Motion Attachment (7160-0285) (pg 35)



Ford Expedition

VEHICLE PEDESTAL SYSTEM

Recommended Solution:

- Vehicle Base (7160-0046) (pg 19)
- Lower Tube (DS-LOWER-9) (pg 29)
- Center Upper Pole (7160-0178) (pg 29)
- 9" Locking Slide Arm - Mongoose (7160-0220) (pg 36)
- Support Brace (7160-0230) (pg 31)



Ford Expedition

CONSOLE SYSTEM

Recommended Solution:

- Vehicle MCS Leg Kit (7160-0084) (pg 48)
- 29" Top Plate (7160-0085) (pg 49)
- MCS Ergonomic Console Box (MCS-ERGOBOX12) (pg 49)
- Lower Tube (DS-LOWER-7) (pg 29)
- Center Upper Pole (7160-0178) (pg 29)
- 9" Locking Slide Arm - Mongoose (7160-0220) (pg 36)

Recommended Vehicle Solution



Chevrolet Silverado 1500 (2014)

VEHICLE PEDESTAL SYSTEM

Recommended Solution:

- Vehicle Base (7160-0510) (pg 26)
- Lower Tube (DS-LOWER-9) (pg 29)
- Center Upper Pole (7160-0178) (pg 29)
- 9" Locking Slide Arm - Mongoose (7160-0220) (pg 36)
- Support Brace (7160-0230) (pg 31)



Chevrolet Tahoe

CONSOLE SYSTEM

Recommended Solution:

- Vehicle Specific Console Box (7160-0434) (pg 41)
- 9" Locking Slide Arm - Mongoose (7160-0220) (pg 36)

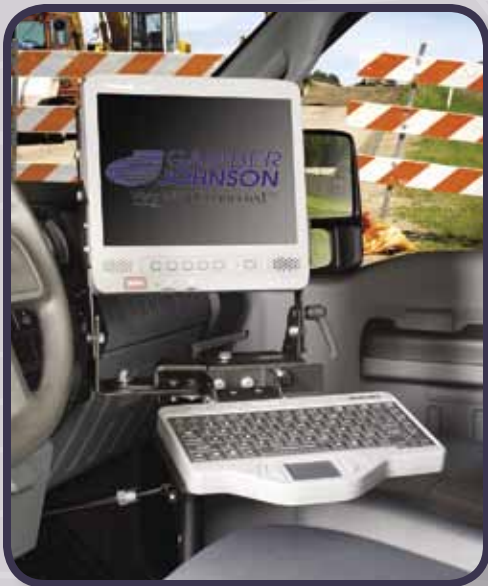


Ford F-150

VEHICLE PEDESTAL SYSTEM

Recommended Solution:

- Vehicle Base (DS-124) (pg 16)
- Lower Tube (DS-LOWER-9) (pg 29)
- Quick-Adjust Upper Pole (QADJ-UPPER-L) (pg 30)
- Standard Motion Attachment (7160-0419) (pg 33)
- Support Brace (7160-0230) (pg 31)



Ford F-250 to F-750 Super Duty (2011-2014)

VEHICLE PEDESTAL SYSTEM

Recommended Solution:

- Vehicle Base (7160-0281) (pg 24)
- Lower Tube (DS-LOWER-9) (pg 29)
- Upper Pole (QADJ-UPPER-L) (pg 30)
- Standard Motion Attachment (7160-0419) (pg 33)
- Support Brace (7160-0230) (pg 31)

For a list of packaged solutions visit our website.



Ford E-Series Van
VEHICLE PEDESTAL SYSTEM

Recommended Solution:

- Vehicle Base (7160-0090) (pg 20)
- Quick-Adjust Upper Pole (QADJ-UPPER-L) (pg 30)
- Standard Motion Attachment (7160-0419) (pg 33)



Dodge Ram 1500-5000
VEHICLE PEDESTAL SYSTEM

Recommended Solution:

- Vehicle Base (7160-0182) (pg 22)
- Offset Universal Mounting Step (DS-STEP) (pg 31)
- Lower Tube (DS-LOWER-7) (pg 29)
- Quick-Adjust Upper Pole (QADJ-UPPER-L) (pg 30)
- Standard Motion Attachment (7160-0419) (pg 33)
- Support Brace (7160-0230) (pg 31)



Ford Sedan/Utility Police Interceptor
VEHICLE PEDESTAL SYSTEM

Recommended Solution:

- Vehicle Base (7160-0350) (pg 25)
- Lower Tube (DS-LOWER-9) (pg 29)
- Center Upper Pole (7160-0178) (pg 29)
- 9" Locking Slide Arm - Mongoose (7160-0220) (pg 36)
- Support Brace (7160-0230) (pg 31)



Semi-Truck
VEHICLE PEDESTAL SYSTEM

Recommended Solution:

- Vehicle Base (7160-0198) (pg 22)
- Quick-Adjust Upper Pole (QADJ-UPPER-L) (pg 30)
- Standard Motion Attachment (7160-0419) (pg 33)
- Support Brace (7160-0231) (pg 31)

Vehicle Bases



PAGE 16

DS-124

INSTALLED IN A FORD F-150 TRUCK

Recommended Solution:

DS-LOWER-9 (pg 29)

QADJ-UPPER-L (pg 30)

STANDARD MOTION ATTACHMENT

(7160-0419) (pg 33)

Features/Benefits

- Installs in minutes with no drilling required
- Angled step moves pole away from passenger creating more leg space
- Will not interfere with levers or factory-installed consoles



PAGE 24

7160-0281

INSTALLED IN A FORD F-250 SUPER DUTY

Recommended Solution:

DS-LOWER-9 (pg 29)

QADJ-UPPER-L (pg 30)

STANDARD MOTION ATTACHMENT

(7160-0419) (pg 33)

SUPPORT BRACE (7160-0230) (pg 31)

Features/Benefits

- Won't interfere with levers or factory-installed consoles located on transmission hump
- Won't interfere with passenger leg space



PAGE 22

7160-0198

INSTALLED IN A VOLVO CLASS VIII SEMI-TRUCK

Recommended Solution:

QADJ-UPPER-L (pg 30)

STANDARD MOTION ATTACHMENT

(7160-0419) (pg 33)

SUPPORT BRACE (7160-0230) (pg 31)

Features/Benefits

- No drill base, compatible with more class VIII day and sleeper cabs
- Four positions of linear adjustability that can be adjusted based on standard floor shift and automatic models
- Can be adjusted for driver or passenger use
- Allows egress to the back of the sleeper cab
- Won't interfere with standard floor shift



PAGE 26

7160-0510

INSTALLED IN A 2014 CHEVROLET

SILVERADO TRUCK

Recommended Solution:

DS-LOWER-9 (pg 29)

CENTER UPPER POLE (7160-0178) (pg 29)

9" LOCKING SLIDE ARM – MONGOOSE

(7160-0220) (pg 36)

SUPPORT BRACE (7160-0230) (pg 31)

Features/Benefits

- Installs in minutes with no drilling required
- Angled step moves pole away from passenger creating more leg space



PAGE 25

7160-0350

INSTALLED IN A FORD SEDAN POLICE INTERCEPTOR

Recommended Solution:

DS-LOWER-9 (pg 29)

CENTER UPPER POLE (7160-0178) (pg 29)

9" LOCKING SLIDE ARM – MONGOOSE (7160-0220) (pg 36)

SUPPORT BRACE (7160-0230) (pg 31)

Features/Benefits

- Works with Ford Sedan/Utility Police Interceptor, Ford Explorer and the Ford Taurus
- Angled step moves pole away from passenger creating more leg space



PAGE 24

7160-0329

INSTALLED IN A DODGE CHARGER

Recommended Solution:

DS-LOWER-13 (pg 29)

CENTER UPPER POLE (7160-0178) (pg 29)

9" LOCKING SLIDE ARM - MONGOOSE (7160-0220) (pg 36)

SUPPORT BRACE (7160-0230) (pg 31)

Features/Benefits

- No drill base will work with both the police and street model Dodge Charger
- Can be used with factory installed console



PAGE 27

7160-0532

INSTALLED IN A 2014 CHEVROLET CAPRICE PPV

Recommended Solution:

DS-LOWER-9 (pg 29)

CENTER UPPER POLE (7160-0178) (pg 29)

9" LOCKING SLIDE ARM – MONGOOSE (7160-0220) (pg 36)

SUPPORT BRACE (7160-0230) (pg 31)

Features/Benefits

- Works with the new 2014 Caprice PPV only
- Angled step moves pole away from passenger creating more leg space



PAGE 14

DS-53

INSTALLED IN A FIRETRUCK

Recommended Solution:

CENTER UPPER POLE (7160-0178) (pg 29)

9" LOCKING SLIDE ARM - MONGOOSE (7160-0220) (pg 36)

Features/Benefits

- Ideal for mounting communication equipment to engine cover, consoles and "dog houses"

Vehicle Base Reference Guide

The Vehicle Base Reference Guide makes it easy to identify which vehicle base is compatible with your vehicle. Simply,

- 1) locate your vehicle on the chart by identifying the make, model and year and
- 2) follow the chart horizontally to find all available vehicle bases with page numbers for further information.

If there is not a vehicle base listed or if you can't find a particular make, model or year on the chart, please contact our sales department at 1-800-456-6868 or at sales@gamberjohnson.com.

For the most up-to-date product information, visit our website at www.gamberjohnson.com.

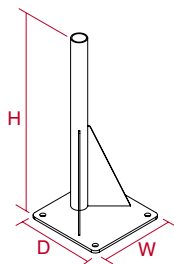
Make	Model	Year	No Drilling Required	Page	Drilling Required	Page	Vehicle Legs (MCS)	Page	
Chevrolet	1500 C/K - 4WD-SELECTOR ON HUMP ONLY	(1994-1999)			DS-55	14	7110-0350	48	
	1500/2500/3500 C/K	(1999-2006 & 2007 Classic Body Style)	DS-122	16			7160-0160	48	
	1500/2500/3500 C/K	(2007 -2009)	DS-144	17			7160-0160	48	
	AVALANCHE	(2002-2006)	DS-122	16			7160-0160	48	
	AVALANCHE	(2007-2013)	DS-144	17			7160-0160	48	
	CAPRICE	(2011-2013)	7160-0381	25					
	CAPRICE	(2014)	7160-0532	27					
	COLORADO	(2004-2012)	7160-0114	21			7160-0249	W	
	EQUINOX	(2007-2014)			7160-0185	18	7110-0350	48	
	EXPRESS VAN	(1995-2009)	7160-0133	21			7110-0350	48	
	EXPRESS VAN	(2010-2014)	7160-0248	22			7110-0350	48	
	G-SERIES VAN	(1995-2009)	7160-0133	21			7110-0350	48	
	G-SERIES VAN	(2010-2014)	7160-0248	22			7110-0350	48	
	IMPALA	(2000-2005)			7160-0185	18	7110-0350	48	
	IMPALA	(2006-2013)	7160-0055	20			7160-0121	48	
	IMPALA (CIVILAN MODEL)	(2014)	7160-0520	26					
	MALIBU	(2006-2012)	7160-0222	W					
	MALIBU	(2013-2014)	7160-0520	26					
	S-10/S-10 BLAZER	(1995-2004)			7160-0185	18	7110-0350	48	
	SILVERADO	(1999-2006 & 2007 Classic Body Style)	DS-122	16			7110-0350	48	
	SILVERADO	(2007 New Body Style-2014)	DS-144	17			7160-0160	48	
	SILVERADO 1500 Models	(2014)	7160-0510	26			7160-0509	48	
	SILVERADO 2500/3500	(2015)	7160-0510	26			7160-0509	48	
	SUBURBAN	(2000-2006)	DS-122	16			7160-0160	48	
	SUBURBAN	(2007 New Body Style-2014)	DS-144	17			7160-0160	48	
	SUBURBAN	(2015)	7160-0510	26			7160-0509	48	
	TAHOE	(2000-2006)	DS-122	16			7160-0160	48	
	TAHOE	(2007 New Body Style-2014)	DS-144	17			7160-0160	48	
	TAHOE	(2015)	7160-0510	26			7160-0509	48	
	TRAILBLAZER	(2002-2009)			7160-0185	18	7110-0350	48	
	UPLANDER	(2005-2009)			7160-0185	18	7110-0350	48	
	Chrysler	ASPEN	(2007-2009)	DS-132				7110-0350	48
		TOWN & COUNTRY	(1996-2007)	DS-60				7110-0350	48
TOWN & COUNTRY		(2008-2014)	7160-0116	21			7110-0350	48	
Dodge	CARAVAN	(1996-2007)			7160-0185	18	7110-0350	48	
	CARAVAN	(2008-2014)	7160-0116	21			7110-0350	48	
	RAM C/V	(2012-2014)	7160-0116	21			7110-0350	48	
	CHARGER	(2006)					7160-0088	48	
	CHARGER	(2007-2010)	7160-0008	18			7160-0088	48	
	CHARGER	(2011-2014)	7160-0329	24			7160-0088	48	
	DAKOTA	(1997-2004 & 2007-2011)	7160-0013	W					
	DAKOTA	(2005)			7160-0185	18	7110-0350	48	
	DURANGO	(2011-2014)	7160-0323	24					
	DURANGO	(2007-2009)			7160-0185	18	7110-0350	48	
	DURANGO	(1997-2003)	7160-0013	W					
	MAGNUM	(2006)					7160-0088	48	
	MAGNUM	(2007-2008)	7160-0008	18			7160-0088	48	
	NITRO	(2007-2011)	DS-148	W					
	PROMASTER	(2014)	7160-0527	27					
	RAM 1500	(2002-2014)	7160-0182	22					
	RAM 1500	(2011-2014)					7160-0422	48	
RAM 2500/3500	(2003-2014)	7160-0182	22						
RAM 2500/3500	(2011-2014)					7160-0422	48		
RAM 4500/5500	(2007-2014)	7160-0182	22						
RAM 4500/5500	(2011-2014)					7160-0422	48		
SPRINTER	(2004-2009)	7160-0036	19			7110-0350	48		
Freightliner	SPRINTER (w/ bucket seats)	(2004-2014)	7160-0036	19			7110-0350	48	
	UNIVERSAL	ALL YEARS			DS-146	17	7110-0350	48	
Ford	CROWN VICTORIA/POLICE INTERCEPTOR	(1991-2011)	7160-0234	23			7160-0117	48	
	SEDAN POLICE INTERCEPTOR	(2012-2014)	7160-0350	25			7160-0413	48	
	UTILITY POLICE INTERCEPTOR	(2012-2014)	7160-0350	25			7160-0413	48	

W = Web listing only

Make	Model	Year	No Drilling Required	Page	Drilling Required	Page	Vehicle Legs (MCS)	Page
	ESCAPE	(2002-2012)	DS-140	17			7110-0350	48
	ESCAPE	(2013-2014)	7160-0451	26				
	E-SERIES VAN	(1995-2005)	7160-0133	21			7110-0350	48
	E-SERIES VAN	(2006-2014)	7160-0090	20			7110-0350	48
	EXCURSION	(2000-2005)	7160-0045	19			7160-0054	48
	EXCURSION LIMITED	(2000-2005)			7160-0185	18	7160-0054	48
	EXPEDITION	(1997-2006)	DS-112	15			7110-0350	48
	EXPEDITION	(2007-2014)	7160-0046	19			7160-0084	48
	EXPLORER	(1995-2001)	DS-118	16			7110-0350	48
	EXPLORER	(2002-2010)	DS-114	15			7110-0350	48
	EXPLORER	(2011-2014)	7160-0350	25				
	EXPLORER SPORT TRACK	(2007)	DS-114	15			7110-0350	48
	F-150	(1997-2003)	DS-112	15				
	F-150 HERITAGE	(2004)	DS-112	15				
	F-150 (New Body Style)	(2004-2014)	DS-124	16				
	F-150	(2009-2014)					7160-0164	48
	F-250 LIGHT DUTY	(1997-2004)	DS-112	15				
	F-250, F-350, F-450, F-550, F-750 SUPER DUTY	(1999-2010 AUTOMATICS ONLY)	7160-0045	19			7160-0054	48
	F-250, F-350, F-450, F-550, F-750 SUPER DUTY	(2011-2014 AUTOMATICS ONLY)	7160-0281	24			7160-0301	48
	FLEX	(2009-2014)			7160-0185	18		
	FREESTYLE	(2005-2007)			DS-55	14	7110-0350	48
	FUSION	(2013-2014)	7160-0260	23			7110-0350	48
	RANGER	(1993-2011)	DS-118	16			7110-0350	48
	TAURUS	(2000-2007)			7160-0185/DS-55	18/14	7110-0350	48
	TAURUS	(2008-2014)	7160-0350	25			7110-0350	48
	TAURUS-X	(2008-2009)	7160-0350	25				
	TRANSIT CONNECT	(2011-2013)	7160-0245	23				
	TRANSIT CONNECT	(2014)	7160-0536	27				
	TRANSIT	(2015)	7160-0537	27				
GMC	1500/2500/3500 C/K	(1999-2006 & 2007 Classic Body Style)	DS-122	16			7160-0160	48
	1500/2500/3500 C/K	(2007 - 2009)	DS-144	17			7160-0160	48
	CANYON	(2004-2012)	7160-0114	21			7160-0249	W
	G-SERIES VAN	(1995-2009)	7160-0133	21			7110-0350	48
	G-SERIES VAN	(2010-2014)	7160-0248	22			7110-0350	48
	SAVANA	(1995-2009)	7160-0133	21			7110-0350	48
	SAVANA	(2010-2014)	7160-0248	22			7110-0350	48
	SIERRA	(2000-2006 & 2007 Classic Body Style)	DS-122	16			7160-0160	48
	SIERRA	(2007 New Body Style-2013)	DS-144	17			7160-0160	48
	SIERRA	(2014)	7160-0510	26			7160-0509	48
	YUKON/YUKON XL	(2000-2006)	DS-122	16	7160-0185	18	7160-0160	48
	YUKON/YUKON XL	(2007 New Body Style-2014)	DS-144	17			7160-0160	48
	YUKON/YUKON XL	(2015)	7160-0510	26			7160-0509	48
International	UNIVERSAL	ALL YEARS			DS-146	17	7110-0350	48
	DURASTAR 4300 / 7300 Series Trucks	2002-2014	7160-0198	22			7110-0350	48
Jeep	COMMANDER	(2007)			7160-0185	18		
	COMPASS	(2007-2014)			7160-0185	18		
	GRAND CHEROKEE	(2007-2010)			7160-0185	18		
	GRAND CHEROKEE	(2011-2014)	7160-0323	24				
	LIBERTY	(2002-2012)	DS-148	W				
	PARTRIO	(2007-2014)			7160-0185	18		
Mazda	TRIBUTE	(2002-2012)	DS-140	17			7110-0350	48
Mercedes	SPRINTER	(2004-2009)	7160-0036	19			7110-0350	48
Mercury	MARINER	(2002-2012)	DS-140	17			7110-0350	48
Nissan	PATHFINDER	(2009-2014)			7160-0185	18	7110-0350	48
	TITAN	(2009-2014)			7160-0185	18	7110-0350	48
	NV Van	(2011-2014)	7160-0342	24			7110-0350	48
Plymouth	VOYAGER	(1996-2001)	DS-60	W			7110-0350	48
Semi-Truck / Class 8	INTERNATIONAL	(2005-2014)	7160-0198	22				
	FREIGHTLINER	(2005-2013)	7160-0198	22				
	PETERBILT	(2005-2014)	7160-0198	22				
	KENWORTH	(2005-2014)	7160-0198	22				
	VOLVO	(2005-2014)	7160-0198	22				
	MACK	(2005-2014)	7160-0198	22				
	STERLING	(2005-2010)	7160-0198	22				
	WESTERN STAR DAY CAB	(2005-2014)	7160-0198	22				
Sterling	BULLET 4500-5500	2008	7160-0182	22			7110-0350	48
	UNIVERSAL	ALL YEARS			DS-146	17	7110-0350	48
Toyota	TACOMA	(2005-2014)	DS-150	18			7110-0350	48
	TUNDRA	(2007-2014)	7160-0062	20			7110-0350	48
	HIGHLANDER	(2007-2013)	DS-150	18				
Volkwagon	JETTA / PASSAT	(2008-2013)	7160-0417	W				

W = Web listing only

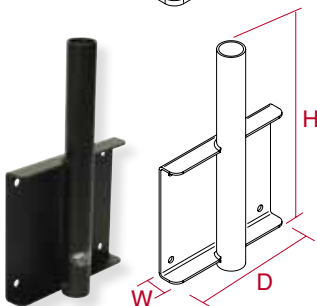
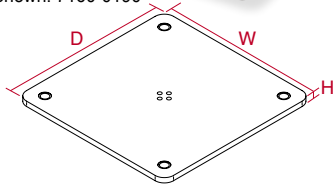
Vehicle Bases



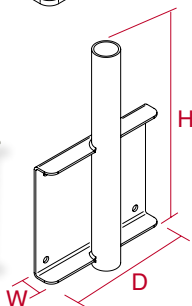
Shown: DS-52



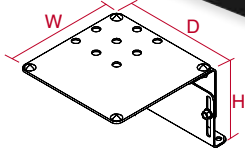
Shown: 7160-0190



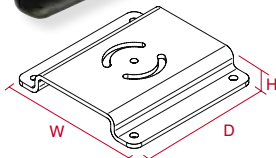
Shown: DS-53



Shown: DS-55



Shown: DS-56



Item No.	Placement	Seat Configuration	Drilling Required	Pole	Height Adjustability	Weight	Height	Width	Depth
DS-52	Flat Floor	All	Yes - any vehicle with a flat floor	Upper Pole ordered separately (pg. 29) Lower Tube included with base	Yes - overall 18.5" - 23.5" (depending on Upper Pole selected)	8.1 lbs.	18.25"	8.0"	8.0"

Features

- Heavy gauge steel construction for long-term durability
- Black powdercoat finish for maximum corrosion resistance
- Solution for vehicles with high seats - vans, stepvans and trucks

Item No.	Placement	Seat Configuration	Drilling Required	Weight	Height	Width	Depth
7160-0190	Under the vehicle in conjunction with the DS-52 Vehicle Base only	All	Yes	4.91 lbs.	0.52"	8.0"	8.0"

Features

- Heavy gauge steel construction for long-term durability
- Black powdercoat finish for maximum corrosion resistance
- Underbody support plate provides great stability to the DS-52 and distributes the clamping load across the vehicle body
- Underbody support plate can be installed in two configurations:
 - Bolts with threads up (plate will remain in fixed position if the vehicle base is removed)
 - Bolts with threads down (plate will disengage when the vehicle base is removed)
- Pem studs are used in order to reduce installation time can be installed by a single individual
- Holes in center of plate allows installer to thread twine or wire and pull plate up to the underbody

Note: Before drilling holes through a vehicle floor pan, inspect the drill locations for wiring, exhaust pipes, drive train components, fuel lines and hydraulic lines.

Item No.	Placement	Seat Configuration	Drilling Required	Pole	Height Adjustability	Weight	Height	Width	Depth
DS-53	Flat, vertical surface	All	Yes	Upper Pole ordered separately (pg. 29-30) Lower Tube included with base	Yes - overall 13.25" - 18.25" (depending on Upper Pole selected)	4.2 lbs.	13.0"	2.0"	8.0"

Features

- Heavy gauge steel construction for long-term durability
- Black powdercoat finish for maximum corrosion resistance
- Can be mounted to engine covers, consoles and "dog houses"
- Two back-up mounting strips included

Item No.	Placement	Seat Configuration	Drilling Required	Pole	Weight	Height	Width	Depth
DS-55	Offset transmission hump - passenger side	All	Yes - any vehicle with a transmission hump	Ordered separately (pg. 29-31)	7.8 lbs.	5.3" to 8.1"	9.5" to 11.25"	9.0"

Features

- Heavy gauge steel construction for long-term durability
- Black powdercoat finish for maximum corrosion resistance
- Wide footprint to make unit stable for heavier or larger equipment

Item No.	Placement	Seat Configuration	Drilling Required	Pole	Weight	Height	Width	Depth
DS-56	Flat, horizontal surface	All	Yes	N/A - attaches to Motion Attachment (pg. 33-37)	2 lbs.	.75"	6.0"	6.0"

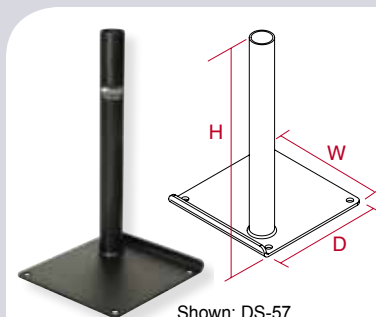
Features

- Heavy gauge steel construction for long-term durability
- Black powdercoat finish for maximum corrosion resistance
- Solution for any vehicle where mounting floor space is limited
- Provides low rise for mounting on storage boxes or engine covers

Item No.	Placement	Seat Configuration	Drilling Required	Pole	Height Adjustability	Weight	Height	Width	Depth
DS-57	Flat floor	All	Yes - any vehicle with a flat floor	Upper Pole ordered separately (pg. 29-30) Lower Tube included with base	Yes - overall 14.25" - 19.25" (depending on Upper Pole selected)	5.35 lbs.	14.0"	8.0"	8.0"

Features

- Heavy gauge steel construction for long-term durability
- Black powdercoat finish for maximum corrosion resistance
- Solution for vehicles with high seats - vans, stepvans and trucks

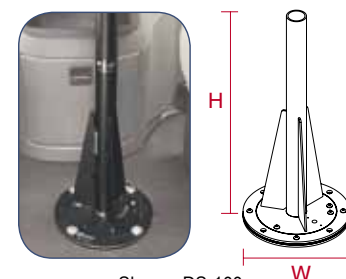


Shown: DS-57

Item No.	Placement	Seat Configuration	Drilling Required	Pole	Height Adjustability	Weight	Height	Width	Depth
DS-100	Flat floor	All	Yes - any truck or van with a flat floor	Upper Pole ordered separately (pg. 29-30) Lower Tube included with base	Yes - overall 18.63" - 22.63" (depending on Upper Pole selected)	10.2 lbs.	18.38"	8.0"	8.0"

Features

- Heavy gauge steel construction for long-term durability
- Black powdercoat finish for maximum corrosion resistance
- Design protected by Patent Number D421,708
- Allows entire mounting system to be quickly installed and removed by removing securing pin and simply twisting the post clockwise
- Solution for vehicles with high seats - vans, stepvans and trucks
- Multiple base plates may be ordered for switching entire mounting system from one vehicle to another

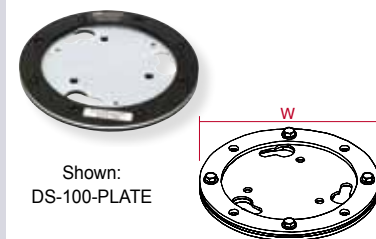


Shown: DS-100

Item No.	Placement	Seat Configuration	Drilling Required	Weight	Height	Width	Depth
DS-100-PLATE	Flat floor	All	Yes - any truck or van with a flat floor	4.5 lbs.	NA	8.0"	NA

Features

- Heavy gauge steel construction for long-term durability
- Black powdercoat finish for maximum corrosion resistance
- For use with **Vehicle Base** (Item No. DS-100) when entire mounting system needs to be quickly switched to another vehicle
- Low-profile circular base plate (1/2" thick)

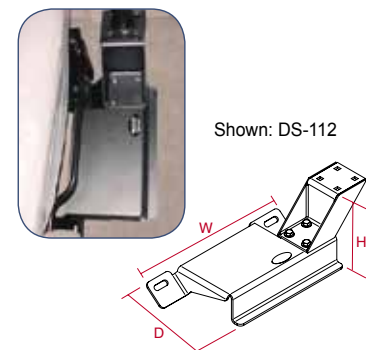


Shown: DS-100-PLATE

Item No.	Placement	Seat Configuration	Drilling Required	Pole	Weight	Height	Width	Depth
DS-112	Passenger side on the floor, under seat	Bucket/Bench	No - attaches to seat studs: Ford Expedition (1997-2006) Ford F150 (1997-2003 & Early 2004 Heritage Model) Ford F250 Light Duty (1997-2004)	Ordered separately (pg. 29-31)	9.8 lbs.	6.7"	12.75"	6.0"

Features

- Heavy gauge steel construction for long-term durability
- Black powdercoat finish for maximum corrosion resistance
- Angled step moves pole away from passenger leg space
- Will not interfere with levers or factory installed consoles
- One **Offset Universal Mounting Step** (Item No. DS-STEP) is already included with this vehicle base. However, additional **Offset Universal Mounting Steps** can be ordered to stack on top of each other if needed (pg. 31)

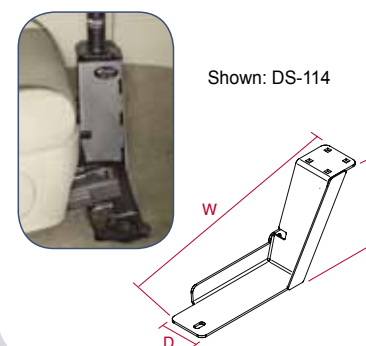


Shown: DS-112

Item No.	Placement	Seat Configuration	Drilling Required	Pole	Weight	Height	Width	Depth
DS-114	Passenger side on the floor, under seat	Bucket	No - attaches to seat studs: Ford Explorer (2002-2010) Ford Explorer Sport Track (2007)	Ordered separately (pg. 29-31)	8.0 lbs.	8.25"	17.0"	4.0"

Features

- Heavy gauge steel construction for long-term durability
- Black powdercoat finish for maximum corrosion resistance
- Can be used with factory-installed console

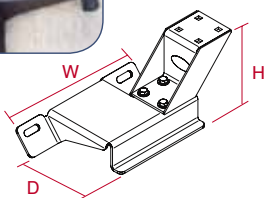


Shown: DS-114

Vehicle Bases

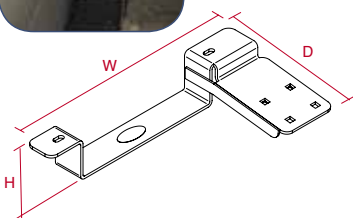


Shown: DS-118

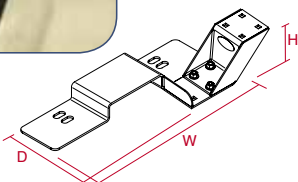


Picture includes a DS-STEP (order separately)

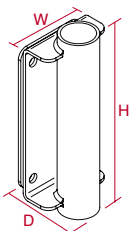
Shown: DS-122



Shown: DS-124



Shown: DS-138



Item No.	Placement	Seat Configuration	Drilling Required	Pole	Weight	Height	Width	Depth
DS-118	Passenger side on the floor, on top of seat bracket	Bucket/Bench	No - attaches to seat studs: <i>Ford Ranger (1993-2011)</i> <i>Ford Explorer (1995-2001)</i>	Ordered separately (pg. 29-31)	7.0 lbs.	6.25"	12.0"	7.5"

Features

- Heavy gauge steel construction for long-term durability
- Black powdercoat finish for maximum corrosion resistance
- Installs in minutes with no drilling required
- Angled step moves pole away from passenger leg space
- Will not interfere with levers or factory-installed console
- One *Offset Universal Mounting Step* (Item No. DS-STEP) is already included with this vehicle base. However, additional *Offset Universal Mounting Steps* can be ordered to stack on top of each other if needed (pg. 31)

Item No.	Placement	Seat Configuration	Drilling Required	Pole	Weight	Height	Width	Depth
DS-122	Passenger side, between seat cushion and seat rails	Bucket	No - between seat cushions & seat rails: <i>Chevrolet 1500/2500/3500 C/K (1999-2006 & 2007 Classic Body Style)</i> <i>Chevrolet Avalanche (2002-2006)</i> <i>Chevrolet Tahoe (2000-2006)</i> <i>Chevrolet Silverado (1999-2006 & 2007 Classic Body Style)</i> <i>Chevrolet Suburban (2000-2006)</i> <i>GMC Yukon/Yukon XL (2000-2006)</i> <i>GMC Sierra (2000-2006 & 2007 Classic Body Style)</i>	Ordered separately (pg. 29-31)	3.4 lbs.	4.62"	16.5"	8.0"

Features

- Heavy gauge steel construction for long-term durability
- Black powdercoat finish for maximum corrosion resistance
- Won't interfere with levers or factory-installed consoles located on transmission hump

Item No.	Placement	Seat Configuration	Drilling Required	Recommended Pole Solution	Weight	Height	Width	Depth
DS-124	Passenger side on the floor, under seat	All	No - attaches to seat studs: <i>Ford F-150 (New body style 2004-2014)</i>	<i>Lower Tube: DS-LOWER-9</i> <i>Upper Pole: QADJ-UPPER-L</i> Tubes/Poles ordered separately (pg. 29-31) <i>Motion Attachment: 7160-0419 (CLEVIS)</i> Motion Attachment ordered separately (pg. 33)	9.0 lbs.	4.0"	19.25"	8.0"

Features

- Heavy gauge steel construction for long-term durability
- Black powdercoat finish for maximum corrosion resistance
- Installs in minutes with no drilling required
- Angled step moves pole away from passenger leg space
- Will not interfere with levers or factory-installed console
- One *Offset Universal Mounting Step* (Item No. DS-STEP) is already included with this vehicle base. However, additional *Offset Universal Mounting Steps* can be ordered to stack on top of each other if needed (pg. 31)
- Available as a Vehicle Kit (Item No. 7170-0135)

Item No.	Placement	Seat Configuration	Drilling Required	Pole	Height Adjustability	Weight	Height	Width	Depth
DS-138	Flat, vertical surface	All	Yes - backing plate provided for system strength	<i>Upper Pole</i> ordered separately (pg. 29-30) <i>Lower Tube</i> included with base	Yes - overall 7.75" - 12.75" (depending on <i>Upper Pole</i> selected)	2.4 lbs.	7.5"	3.0"	1.25"

Features

- Heavy gauge steel construction for long-term durability
- Black powdercoat finish for maximum corrosion resistance
- Ideal for mounting communication equipment to engine cover, consoles and "dog houses"

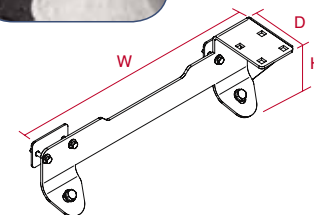
Item No.	Placement	Seat Configuration	Drilling Required	Recommended Pole Solution	Weight	Height	Width	Depth
DS-140	Passenger side floor, under seat	Bucket	No - attaches to seat studs: <i>Ford Escape (2002-2012)</i> <i>Mazda Tribute (2002-2012)</i> <i>Mercury Mariner (2005-2012)</i>	<i>Lower Tube: DS-LOWER-9</i> <i>Upper Pole: QADJ-UPPER-S</i> Tubes/Poles ordered separately (pg. 29-31) <i>Motion Attachment: 7160-0284 (QUAD-MOTION-TS3)</i> Motion Attachment ordered separately (pg. 35)	5.0 lbs.	6.27"	19.06"	5.64"

Features

- Heavy gauge steel construction for long-term durability
- Black powdercoat finish for maximum corrosion resistance
- Will not interfere with factory-installed console



Shown: DS-140



Item No.	Placement	Seat Configuration	Drilling Required	Recommended Pole Solution	Weight	Height	Width	Depth
DS-144	Passenger side floor, under seat	Bench/ Bucket	No - attaches to seat studs: <i>Chevrolet: 1500/2500/3500 C/K (2007-2009 New Body Style)</i> <i>Avalanche (2007-2013)</i> <i>Silverado 1500 (2007 New Body Style-2013)</i> <i>Silverado 2500/3500 (2007 New Body Style-2014)</i> <i>Suburban (2007 New Body Style-2014)</i> <i>Tahoe (2007 New Body Style-2014)</i> <i>GMC: Sierra1500 (2007 New Body Style-2013)</i> <i>Sierra 2500/3500 (2007 New Body Style-2014)</i> <i>Yukon/Yukon XL (2007 New Body Style-2014)</i>	<i>Lower Tube: DS-LOWER-9</i> <i>Upper Pole: QADJ-UPPER-L</i> Tubes/Poles ordered separately (pg. 29-31) <i>Motion Attachment: 7160-0284 (QUAD-MOTION-TS3)</i> Motion Attachment ordered separately (pg. 35)	7.5 lbs.	5.57"	20.18"	11.39"

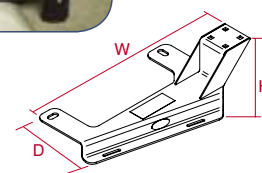
Features

- Heavy gauge steel construction for long-term durability
- Black powdercoat finish for maximum corrosion resistance
- Installs in minutes with no drilling required
- Angled step moves pole away from passenger leg space
- Available as a Vehicle Kit (Item No. 7170-0142)

Note: 1) An additional *Offset Universal Mounting Step* (pg. 31) is recommended to position the computer mounting system away from passenger leg space and out of the air bag zone. This may require the factory installed console to be removed.
2) It is recommended that the passenger-side air bag is deactivated if mounting system is placed in the air bag zone. Failure to comply may lead to serious injury during sudden braking or accidents.



Shown: DS-144



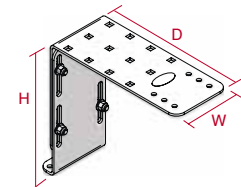
Item No.	Placement	Seat Configuration	Drilling Required	Pole	Weight	Height	Width	Depth
DS-146	Flat floor to the bench seat	Bench	Yes - attaches to seat frame and drilled into the vehicle floor of the International, Freightliner, or Sterling	Ordered separately (pg. 29-31)	8.0 lbs.	11" to 15.23"	5.0"	13.39"

Features

- Heavy gauge steel construction for long-term durability
- Black powdercoat finish for maximum corrosion resistance
- Universal design can be used in International, Freightliner, Sterling & other large truck with a bench style seat
- Several mounting holes on top of vehicle base allows for flexible positioning of computer mounting system



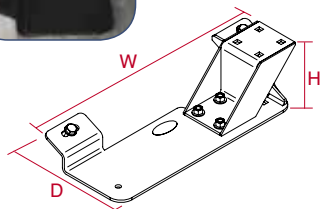
Shown: DS-146



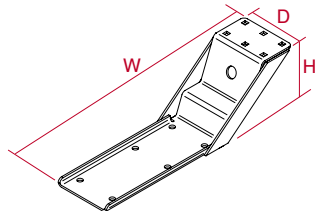
Vehicle Bases



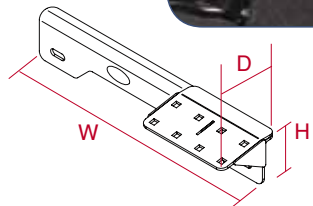
Shown: DS-150



Shown: 7160-0185



Shown: 7160-0008



Item No.	Placement	Seat Configuration	Drilling Required	Recommended Pole Solution	Weight	Height	Width	Depth
DS-150	Passenger side on the floor, under seat	Bucket/Bench	No - attaches to seat studs: <i>Toyota Tacoma (2005-2014)</i>	<i>Lower Tube: DS-LOWER-7</i> <i>Upper Pole: QADJ-UPPER-M</i> Tubes/Poles ordered separately (pg. 29-31) <i>Motion Attachment: 7160-0284 (QUAD-MOTION-TS3)</i> Motion Attachment ordered separately (pg. 35)	8.5 lbs.	4.2"	18.5"	7.0"

Features

- Heavy gauge steel construction for long-term durability
- Black powdercoat finish for maximum corrosion resistance
- Will not interfere with factory-installed console
- Angled step moves pole away from passenger leg space
- One *Offset Universal Mounting Step (Item No. DS-STEP)* is already included with this vehicle base. However, additional *Offset Universal Mounting Steps* can be ordered to stack on top of each other if needed (pg. 31)

Item No.	Placement	Seat Configuration	Drilling Required	Pole	Weight	Height	Width	Depth
7160-0185	Passenger side floor	Bucket/Bench	Yes <i>Chevrolet:</i> <i>Equinox (2007-2014)</i> <i>Uplander (2005-2009)</i> <i>GMC Yukon/Yukon XL (2000-2006)</i> <i>Ford:</i> <i>Excursion Limited (2000-2005)</i> <i>Focus (2007)</i> <i>Flex (2009-2014)</i> <i>Jeep:</i> <i>Commander (2007)</i> <i>Compass (2007-2014)</i> <i>Grand Cherokee (2007-2010)</i> <i>Patriot (2007-2014)</i> <i>Nissan:</i> <i>Pathfinder (2009-2014)</i> <i>Titian (2009-2014)</i> <i>Dodge Dakota (2005)</i>	Ordered separately (pg. 29-31)	7.5 lbs.	5.75"	22.88"	5.25"

Features

- Heavy gauge steel construction for long-term durability
- Black powdercoat finish for maximum corrosion resistance
- Won't interfere with levers or factory-installed 1/2 consoles located on transmission hump
- Will not work with full factory-installed console or 4WD lever on transmission hump
- Won't interfere with passenger leg space

Item No.	Placement	Seat Configuration	Drilling Required	Recommended Pole Solution	Weight	Height	Width	Depth
7160-0008	Passenger side on the floor, under seat	Bucket/Bench	No - attaches to seat studs: <i>Dodge Charger (2007-2010)</i> <i>Dodge Magnum (2007-2008)</i> <i>For 2006 Models see note below</i>	<i>Lower Tube: DS-LOWER-9</i> <i>Upper Pole: DS-UPPER-M</i> Tubes/Poles ordered separately (pg. 29-31) Motion Attachment: 7160-0419 (CLEVIS) Motion Attachment ordered separately (pg. 33)	5.8 lbs.	3.61"	19.87"	4.76"

Features

- Heavy gauge steel construction for long-term durability
- Black powdercoat finish for maximum corrosion resistance
- No drill base will work with both the police and street model Dodge Charger and Magnum
- Can be used with factory installed console
- For extra stability, a *Support Brace (Item No. 7160-0230)* is recommended (pg.31)

Note: Installing this base into the 2006 Dodge Charger/Magnum vehicles will compromise the vehicle air bag system, possibly endangering vehicle occupants. Seat bolts in 2006 vehicles are tied into the air bag sensor system. Loosening or removal of seat bolts in the 2006 vehicles will require recalibration by a certified Daimler-Chrysler service technician.

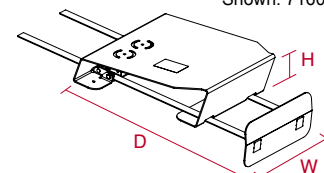
Item No.	Placement	Seat Configuration	Drilling Required	Weight	Height	Width	Depth
7160-0033	On passenger seat	All	No	5.7 lbs.	5.0"	14.0"	16.0"

Features

- Light-weight aluminum for reduced overall weight
- Rugged construction for long-term durability
- Black powdercoat finish for maximum corrosion resistance
- Uses the passenger seat to firmly secure the base into the vehicle
- Patent Pending design can easily be used with any vehicle
- Can be used with any **Motion Attachment & Computer Cradle** to make a universal computer mounting solution
- Provides a platform to mount portable equipment (computers, printers, fax machines, etc..)



Shown: 7160-0033



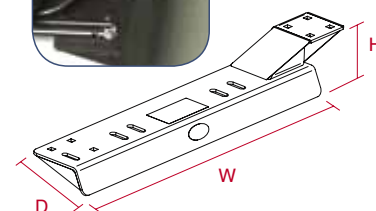
Item No.	Placement	Seat Configuration	Drilling Required	Recommended Pole Solution	Weight	Height	Width	Depth
7160-0036	Secured between the passenger seat base and seat bolts	Bucket	No - attaches between seat base to seat studs: <i>Dodge Sprinter (2004-2009)</i> <i>Freightliner Sprinter (2004-2014)</i> <i>Mercedes Sprinter (2004-2009)</i>	<i>Lower Tube: DS-LOWER-5</i> <i>Upper Pole: QADJ-UPPER-M5</i> Tubes/Poles ordered separately (pg. 29-31) <i>Motion Attachment: 7160-0284 (QUAD-MOTION-TS3)</i> Motion Attachment ordered separately (pg. 35)	10.13 lbs.	5.88"	24.12"	7.0"

Features

- Heavy gauge steel construction for long-term durability
- Black powdercoat finish for maximum corrosion resistance
- For extra stability, a **Support Brace** (Item No. 7160-0230) is recommended (pg.31)



Shown: 7160-0036



Item No.	Placement	Seat Configuration	Drilling Required	Recommended Pole Solution	Weight	Height	Width	Depth
7160-0045	Passenger side on the floor, under seat	Bucket/Bench	No - attaches to seat studs: <i>Ford Excursion (2000-2005)</i> <i>Ford F-250 to Ford F-750 Super Duty Automatics only (1999-2010)</i>	<i>Lower Tube: DS-LOWER-9</i> <i>Upper Pole: DS-UPPER-M</i> Tubes/Poles ordered separately (pg. 29-31) <i>Motion Attachment: 7160-0419 (CLEVIS)</i> Motion Attachment ordered separately (pg. 33)	9.4 lbs.	6.0"	21.0"	5.5"

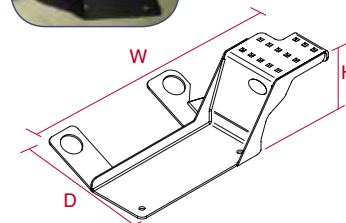
Features

- Heavy gauge steel construction for long-term durability
- Black powdercoat finish for maximum corrosion resistance
- Won't interfere with levers or factory-installed consoles located on transmission hump
- Won't interfere with passenger leg space
- For extra stability, a **Support Brace** (Item No. 7160-0230) is recommended (pg.31)

Note: - In some cases of a bench seat, the seat bolt that the vehicle base mounts to on the inboard seat bolt the installer might need to tap threads into the hole under the mat.
- F-450 to F-750 w/floor manual shifter will have to modify base to fit around shifter base.
- Vehicle Base will work with 4x4 floor shifter.



Shown: 7160-0045



Item No.	Placement	Seat Configuration	Drilling Required	Recommended Pole Solution	Weight	Height	Width	Depth
7160-0046	Passenger side floor, under seat	Bucket/Bench	No - attaches to seat studs: <i>Ford Expedition (2007-2014)</i>	<i>Lower Tube: DS-LOWER-9</i> <i>Upper Pole: 7160-0178</i> <i>Support Brace: 7160-0230</i> Tubes/Poles ordered separately (pg. 29-31) Motion Attachment: 7160-0220 Motion Attachment ordered separately (pg. 36)	9.8 lbs.	6.7"	12.75"	6.0"

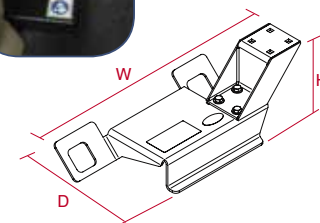
Features

- Heavy gauge steel construction for long-term durability
- Black powdercoat finish for maximum corrosion resistance
- Angled step moves pole away from passenger leg space
- Will not interfere with levers or factory installed console
- One **Offset Universal Mounting Step** (Item No. DS-STEP) is already included with this vehicle base. However, additional **Offset Universal Mounting Steps** can be ordered to stack on top of each other if needed (pg. 31)
- For extra stability, a **Support Brace** (Item No. 7160-0230) is recommended (pg.31)
- Available as a Vehicle Kit (Item No. 7170-0129)

Note: - Will not work with MCS Leg Kit (pg. 48)



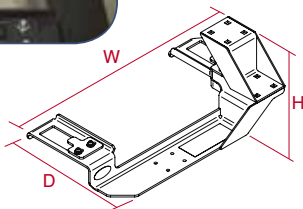
Shown: 7160-0046



Vehicle Bases



Shown: 7160-0055



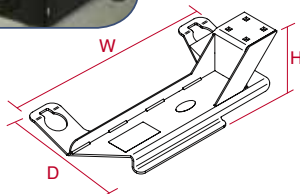
Item No.	Placement	Seat Configuration	Drilling Required	Recommended Pole Solution	Weight	Height	Width	Depth
7160-0055	Passenger side floor, under the seat	Bucket/ Bench	Yes - drilling is recommended but not required: <i>Chevrolet Impala (2006-2013)</i>	<i>Lower Tube: DS-LOWER-7</i> <i>Upper Pole: QADJ-UPPER-M</i> Tubes/Poles ordered separately (pg. 29-31) <i>Motion Attachment: 7160-0284 (QUAD-MOTION TS3)</i> Motion Attachment ordered separately (pg. 35)	11.0 lbs.	6.68"	20.7"	10.92"

Features

- Heavy gauge steel construction for long-term durability
- Black powdercoat finish for maximum corrosion resistance
- The base uses the weight and pressure of the seat and the mechanical counter balance of the base design to secure it under the seat. **Due to not being secured using the seat bolts, we strongly recommend you fasten the base by using the four holes located on the base and drill into the floor.**
- One *Offset Universal Mounting Step* (Item No. DS-STEP) is already included with this vehicle base. However, additional *Offset Universal Mounting Steps* can be ordered to stack on top of each other if need (pg. 31)
- The *Offset Universal Mounting Step* should be pointed towards the passenger seat to move the mounting system away from the dash
- For extra stability, a *Support Brace* (Item No. 7160-0230) is recommended (pg.31)
- Available as a Vehicle Kit (Item No. 7170-0144)



Shown: 7160-0062



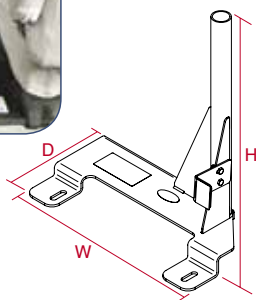
Item No.	Placement	Seat Configuration	Drilling Required	Recommended Pole Solution	Weight	Height	Width	Depth
7160-0062	Passenger side floor, under the seat	Bucket/ Bench	No - attaches to seat studs: <i>Toyota Tundra (2007-2014)</i>	<i>Lower Tube: DS-LOWER-9</i> <i>Upper Pole: QADJ-UPPER-M</i> Tubes/Poles ordered separately (pg. 29-31) <i>Motion Attachment: 7160-0284 (QUAD-MOTION-TS3)</i> Motion Attachment ordered separately (pg. 35)	9.0 lbs.	5.38"	20.25"	9.75"

Features

- Heavy gauge steel construction for long-term durability
- Black powdercoat finish for maximum corrosion resistance
- Won't interfere with levers or factory-installed consoles located on transmission hump
- Won't interfere with passenger leg space
- For extra stability, a *Support Brace* (Item No. 7160-0230) is recommended (pg.31)



Shown: 7160-0090



Item No.	Placement	Seat Configuration	Drilling Required	Recommended Pole Solution	Weight	Height	Width	Depth
7160-0090	Passenger side inner front and back seat studs	Bucket	No - attaches to seat studs: <i>Ford E-Series Van (2006-2014)</i>	<i>Upper Pole: QADJ-UPPER-L</i> Upper Pole ordered separately (pg. 30), Lower Tube is already included with base <i>Motion Attachment: 7160-0419 (CLEVIS)</i> Motion Attachment ordered separately (pg. 33)	9.5 lbs	19.25"	16.75"	8.3"

Features

- Heavy gauge steel construction for long-term durability
- Black powdercoat finish for maximum corrosion resistance
- Won't interfere with passenger leg space
- For extra stability, a *Support Brace* (Item No. 7160-0230) is recommended (pg.31)
- Available as a Vehicle Kit (Item No. 7170-0130)

Item No.	Placement	Seat Configuration	Drilling Required	Recommended Pole Solution	Weight	Height	Width	Depth
7160-0114	Passenger side floor, under seat	Bucket/Bench	No - attaches to seat studs: <i>Chevrolet Colorado (2004-2012)</i> <i>GMC Canyon (2004-2012)</i> <i>Hummer H3 (2007)</i>	<i>Lower Pole Tube: DS-LOWER-5</i> <i>Upper Pole Tube: DS-UPPER-M5</i> <i>Offset Mounting Step: DS-STEP</i> Poles ordered separately (pg. 29-31) <i>Motion Attachment: 7160-0419 (CLEVIS)</i> Motion Attachment ordered separately (pg. 33)	3.5 lbs	3.29"	16.36"	4.10"

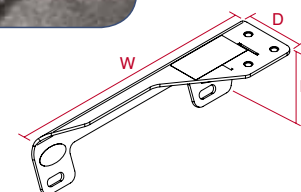
Features

- Heavy gauge steel construction for long-term durability
- Black powdercoat finish for maximum corrosion resistance
- Will not interfere with levers or factory installed console
- An *Offset Universal Mounting Step (Item No. DS-STEP)* may be ordered separately to move the pole away from passenger leg space (pg. 31)
- Available as a Vehicle Kit (Item No. 7170-0139)

Note: - If your vehicle has a factory installed console and/or manual shift on the floor, the recommended pole solution is *DS-LOWER-9, DS-UPPER-M* and 7160-0419 (CLEVIS)
- If you use the MCS Vehicle Leg Kit (Item No. 7160-0249) in conjunction with the vehicle base you must order separately hardware bag (Item No. 7120-0504)



Shown: 7160-0114



Item No.	Placement	Seat Configuration	Drilling Required	Recommended Pole Solution	Weight	Height	Width	Depth
7160-0116	Driver side inner front and back seat studs	Bucket	No - attaches to seat studs: <i>Dodge Caravan (2008-2014)</i> <i>Ram CV (2012-2014)</i>	<i>Upper Pole: QADJ-UPPER-M</i> Tubes/Poles ordered separately (pg. 29) <i>Motion Attachment: 7160-0419 (CLEVIS)</i> Motion Attachment ordered separately (pg. 33)	8.0 lbs	9.75"	21.0"	5.0"

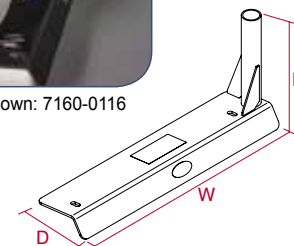
Features

- Heavy gauge steel construction for long-term durability
- Black powdercoat finish for maximum corrosion resistance
- Vehicle base will work with both the Stow & Go and Swivel & Go Dodge Caravan models
- Won't interfere with passenger leg space
- For extra stability, a *Support Brace (Item No. 7160-0230)* is recommended (pg.31)

Note: On the Stow & Go Dodge Caravan models, the front seat will have limited travel due to the install of the base and this may cause the rear passenger seat not to stow properly.



Shown: 7160-0116



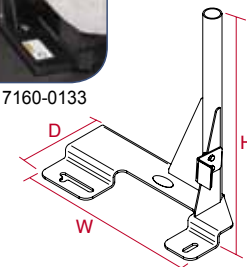
Item No.	Placement	Seat Configuration	Drilling Required	Pole	Height Adjustability	Weight	Height	Width	Depth
7160-0133	Passenger side inner front and back seat studs	Bucket	No - attaches between seat base and seat studs: <i>Ford E-Series Van (1995-2005)</i> <i>Chevrolet/GMC G-Series Van (1995-2009)</i> <i>Chevrolet Express Van (1995-2009)</i> <i>Chevrolet Kodiak (2001-2009 Bucket Seat Only)</i> <i>GMC Savana Van (1995-2009)</i> <i>GMC Topkick (2001-2009 Bucket Seat Only)</i>	<i>Upper Pole</i> ordered separately (pg 29-30) <i>Lower Tube</i> included with base	Yes - overall 19.13" to 24.13" (depending on <i>Upper Pole</i> selected)	10.5 lbs	18.88"	16.75"	7.30"

Features

- Heavy gauge steel construction for long-term durability
- Black powdercoat finish for maximum corrosion resistance
- Won't interfere with passenger leg space
- Bracket mounted to pole gusset allows for additional attachment to seat frame
- Base works with most existing work boxes



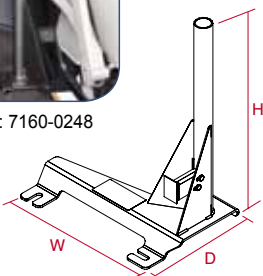
Shown: 7160-0133



Vehicle Bases



Shown: 7160-0248



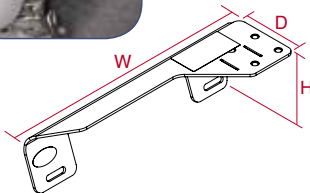
Item No.	Placement	Seat Configuration	Drilling Required	Pole	Weight	Height	Width	Depth
7160-0248	Passenger side inner front and back seat studs	Bucket	No - attaches to seat studs: <i>Chevrolet/GMC G-Series Van (2010-2014)</i> <i>Chevrolet Express Van (2010-2014)</i> <i>GMC Savana Van (2010-2014)</i>	<i>Upper Pole: QADJ-UPPER-L</i> Upper Pole ordered separately (pg. 30), Lower Tube is already included with base <i>Motion Attachment: 7160-0419 (CLEVIS)</i> Motion Attachment ordered separately (pg. 33)	8.1 lbs	19.85"	15.0"	9.31"

Features

- Heavy gauge steel construction for long-term durability
- Black powdercoat finish for maximum corrosion resistance
- Won't interfere with passenger leg space
- Bracket mounted to pole gusset allows for additional attachment to seat frame
- Base works with most existing work boxes
- Available as a Vehicle Kit (Item No. 7170-0140)



Shown: 7160-0182



Item No.	Placement	Seat Configuration	Drilling Required	Recommended Pole Solution	Weight	Height	Width	Depth
7160-0182	Passenger side floor, under seat	Bucket/Bench	No - attaches to seat studs: <i>Dodge Ram 1500-5500 (2002-2014)</i> <i>Sterling Bullet 4500-5500 (2008)</i>	<i>Lower Tube: DS-LOWER-7</i> <i>Upper Tube: QADJ-UPPER-L</i> <i>Offset Mounting Step: DS-STEP</i> <i>Support Brace: 7160-0230</i> Tubes/Poles ordered separately (pg. 29-31) <i>Motion Attachment: 7160-0419 (CLEVIS)</i> Motion Attachment ordered separately (pg. 33)	4.1 lbs	3.58"	18.25"	5.08"

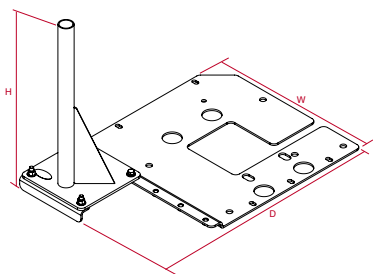
Features

- Heavy gauge steel construction for long-term durability
- Black powdercoat finish for maximum corrosion resistance
- Will not interfere with levers or factory installed console
- An *Offset Universal Mounting Step (Item No. DS-STEP)* may be ordered separately to move the pole away from passenger leg space (pg. 31)
- Available as a Vehicle Kit (Item No. 7170-0136)

Note: 1) If your Dodge Ram has a factory installed console and/or manual shift on the floor, the recommended pole solution is *DS-LOWER-13, QADJ-UPPER-M, 7160-0230 and 7160-0284*
2) If your Sterling Bullet has a factory installed console and/or manual shift on the floor, the recommended pole solution is *DS-LOWER-9, QADJ-UPPER-L, 7160-0230 and 7160-0419 (CLEVIS)*



Shown: 7160-0198



Item No.	Placement	Seat Configuration	Drilling Required	Recommended Pole Solution	Weight	Height	Width	Depth
7160-0198	Passenger side floor	Bucket	No - attaches to seat studs: <i>International (2005-2014)</i> <i>Freightliner (2005-2013)</i> <i>Peterbilt (2005-2014)</i> <i>Kenworth (2005-2014)</i> <i>Volvo (2005-2014)</i> <i>Mack (2005-2014)</i> <i>Sterling (2005-2010)</i> <i>Western Star Day Cab (2005-2014)</i>	<i>Lower Tube</i> included with base <i>Upper Pole: QADJ-UPPER-L</i> <i>Support Brace: 7160-0231</i> Poles ordered separately (pg. 29-31) <i>Motion Attachment: 7160-0419 (CLEVIS)</i> Motion Attachment ordered separately (pg. 33)	25.5 lbs	19.09"	18.75"	26.3"

Features

- Heavy gauge steel construction for long-term durability
- Black powdercoat finish for maximum corrosion resistance
- Compatible with most Class 8 International, Freightliner, Peterbilt, Kenworth, Volvo, Mack, Sterling, Western Star Day Cab and Over the Road Sleeper Cab Semi-Trucks
- Compatible with all bucket, standard and air ride seats including National Seat Company, Sears Seating, and Bostrom Seats
- Four positions of linear adjustability (can be adjusted based on standard floor shift and automatic models)
- Pole can be rotated in four positions in order to adjust to cab configurations and driver ergonomics
- Vehicle base standoff is designed to accommodate different floor mat thicknesses
- Vehicle base can be adjusted for driver or passenger use
- Allows egress to the back of the sleeper cab
- For extra stability, a *Support Brace (Item No. 7160-0231)* is recommended (pg.31)

Note: This base will not work with International trucks with an integrated air conditioning system under the seat.

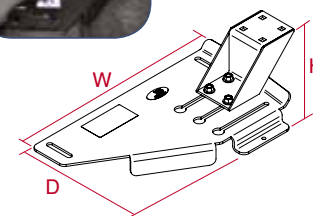
Item No.	Placement	Seat Configuration	Drilling Required	Recommended Pole Solution	Weight	Height	Width	Depth
7160-0234	Passenger side on the floor, under the seat	Bucket/Bench/60-40 split	No - attaches to seat studs: <i>Ford Crown Victoria Police Interceptor (1991-2011)</i>	<i>Lower Pole: DS-LOWER-7</i> <i>Upper Pole: 7160-0177</i> <i>Support Brace: 7160-0230</i> Tubes/Poles ordered separately (pg. 29-31) <i>Motion Attachment: 7160-0220</i> Motion Attachment ordered separately (pg. 36)	11.0 lbs	5.7"	18.5"	10.9"

Features

- Heavy gauge steel construction for long-term durability
- Black powdercoat finish for maximum corrosion resistance
- Angled step moves pole away from passenger leg space and attaches to the *Lower Pole* without any protruding edges
- One *Offset Universal Mounting Step* (Item No. DS-STEP) is already included with this vehicle base. However, additional *Offset Universal Mounting Steps* can be ordered to stack on top of each other if needed.
- Multiple mounting slots allow for flexible positioning of the *Offset Universal Mounting Step*
- Larger base footprint and reinforced flanges provide added stability



Shown: 7160-0234



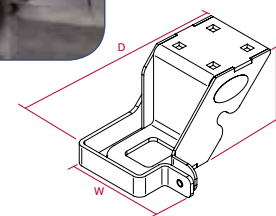
Item No.	Placement	Seat Configuration	Drilling Required	Recommended Pole Solution	Weight	Height	Width	Depth
7160-0245	Passenger side on the floor, under the seat	Bucket	No - attaches to seat studs: <i>Ford Transit Connect (2010-2013)</i>	<i>Lower Pole: DS-LOWER-9</i> <i>Upper Pole: QADJ-UPPER-M</i> <i>Support Brace: 7160-0230</i> Tubes/Poles ordered separately (pg. 29-31) <i>Motion Attachment: 7160-0419 (CLEVIS)</i> Motion Attachment ordered separately (pg. 33)	3.0 lbs	3.99"	5.25"	7.77"

Features

- Heavy gauge steel construction for long-term durability
- Black powdercoat finish for maximum corrosion resistance
- Will not interfere with levers or factory installed console
- For extra stability, a *Support Brace* (Item No. 7160-0230) is recommended (pg.31)
- Available as a Vehicle Kit (Item No. 7170-0131)



Shown: 7160-0245



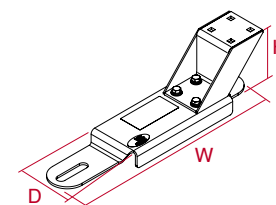
Item No.	Placement	Seat Configuration	Drilling Required	Recommended Pole Solution	Weight	Height	Width	Depth
7160-0260	Attaches to inboard and outboard passenger side seat studs	Bucket	No - attaches to seat studs: <i>Ford Fusion (2013-2014)</i>	<i>Lower Tube: DS-LOWER-9</i> <i>Upper Pole: QADJ-UPPER-M</i> <i>Support Brace: 7160-0230</i> Poles ordered separately (pg. 29-31) <i>Motion Attachment: 7160-0284</i> Motion Attachment ordered separately (pg. 35)	6.9 lbs	5.43"	19.0"	4.36"

Features

- Heavy gauge steel construction for long-term durability
- Black powdercoat finish for maximum corrosion resistance
- Won't interfere with passenger leg space
- Can be used with factory installed console
- One *Offset Universal Mounting Step* (Item No. DS-STEP) is already included with this vehicle base. However, additional *Offset Universal Mounting Steps* can be ordered to stack on top of each other if needed.
- For extra stability, a *Support Brace* (Item No. 7160-0230) is recommended (pg. 31)



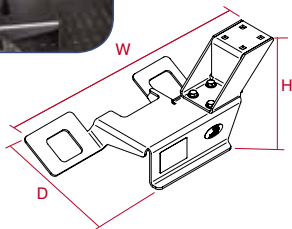
Shown: 7160-0260



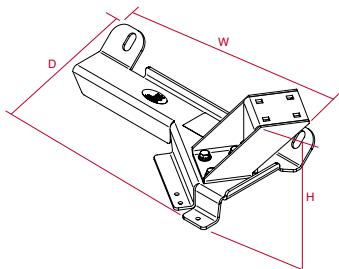
Vehicle Bases



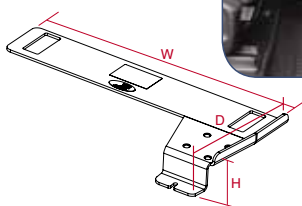
Shown: 7160-0281



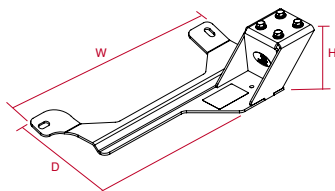
Shown: 7160-0323



Shown: 7160-0329



Shown: 7160-0342



Item No.	Placement	Seat Configuration	Drilling Required	Recommended Pole Solution	Weight	Height	Width	Depth
7160-0281	Passenger side on the floor - under seat	Bucket/ Bench	No - attaches to seat studs: <i>Ford F-250 to F-750 Super Duty (2011-2014)</i>	<i>Lower Pole: DS-LOWER-9</i> <i>Upper Pole: QADJ-UPPER-L</i> <i>Support Brace: 7160-0230</i> Tubes/Poles ordered separately (pg. 29-31) <i>Motion Attachment: 7160-0419 (CLEVIS)</i> Motion Attachment ordered separately (pg. 33)	9.5 lbs	7.5"	19.5"	9.5"

Features

- Heavy gauge steel construction for long-term durability
- Black powdercoat finish for maximum corrosion resistance
- Won't interfere with passenger leg space
- Won't interfere with levers or factory-installed consoles located on transmission hump
- One *Offset Universal Mounting Step (Item No. DS-STEP)* is already included with this vehicle base. However, additional *Offset Universal Mounting Steps* can be ordered to stack on top of each other if needed.
- For extra stability, a *Support Brace (Item No. 7160-0230)* is recommended (pg.31)
- Available as a Vehicle Kit (Item No. 7170-0133)

Note: - In some cases of a bench seat, the seat bolt that the vehicle base mounts to on the inboard seat bolt the installer might need to tap threads into the hole under the mat.
- Vehicle Base will work with 4x4 floor shifter

Item No.	Placement	Seat Configuration	Drilling Required	Recommended Pole Solution	Weight	Height	Width	Depth
7160-0323	Attaches to inboard and outboard passenger side seat studs	Bucket	No - attaches to seat studs: <i>Dodge Durango (2011-2014)</i> <i>Jeep Grand Cherokee (2011-2014)</i>	<i>Lower Tube: DS-LOWER-9</i> <i>Upper Pole: QADJ-UPPER-M</i> Poles ordered separately (pg. 29-31) <i>Motion Attachment: 7160-0284</i> Motion Attachment ordered separately (pg. 35)	9.11 lbs.	5.87"	18.85"	9.22"

Features

- Heavy gauge steel construction for long-term durability
- Black powdercoat finish for maximum corrosion resistance
- Won't interfere with levers or factory-installed consoles located on transmission hump
- Won't interfere with passenger leg space
- One *Offset Universal Mounting Step (Item No. DS-STEP)* is already included with this vehicle base. However, additional *Offset Universal Mounting Steps* can be ordered to stack on top of each other if needed.
- For extra stability, a *Support Brace (Item No. 7160-0230)* is recommended (pg.31)

Item No.	Placement	Seat Configuration	Drilling Required	Recommended Pole Solution	Weight	Height	Width	Depth
7160-0329	Attaches to inboard and outboard passenger side seat studs	Bucket	No - attaches to seat studs: <i>Dodge Charger (2011-2014)</i>	<i>Lower Tube: DS-LOWER-13</i> <i>Upper Pole: 7160-0178</i> <i>Support Brace: 7160-0230</i> Poles ordered separately (pg. 29-31) <i>Motion Attachment: 7160-0220</i> Motion Attachment ordered separately (pg. 36)	10.5 lbs.	3.2"	20.3"	9.6"

Features

- Heavy gauge steel construction for long-term durability
- Black powdercoat finish for maximum corrosion resistance
- Base works with both the Police and Street model Dodge Charger
- Can be used with factory installed console
- For extra stability, a *Support Brace (Item No. 7160-0230)* is recommended (pg.31)
- Available as a Vehicle Kit (Item No. 7170-0138)

Item No.	Placement	Seat Configuration	Drilling Required	Recommended Pole Solution	Weight	Height	Width	Depth
7160-0342	Attaches to inboard and outboard passenger side seat studs	Bucket	No - attaches to seat studs: <i>Nissan NV (2011-2014)</i>	<i>Lower Tube: DS-LOWER-13</i> <i>Upper Pole: QADJ-UPPER-L</i> Poles ordered separately (pg. 29-31) <i>Motion Attachment: 7160-0419 (CLEVIS)</i> Motion Attachment ordered separately (pg. 33)	6.6 lbs.	4.0"	20.8"	10.0"

Features

- Heavy gauge steel construction for long-term durability
- Black powdercoat finish for maximum corrosion resistance
- Can be used with factory installed console
- For extra stability, a *Support Brace (Item No. 7160-0230)* is recommended (pg.31)

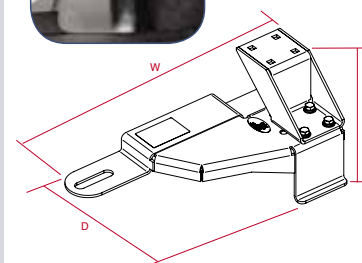
Item No.	Placement	Seat Configuration	Drilling Required	Recommended Pole Solution	Weight	Height	Width	Depth
7160-0350	Attaches to inboard and outboard passenger side seat studs	Bucket	No - attaches to seat studs: <i>Ford Explorer (2011-2014)</i> <i>Ford Sedan/Utility Police Interceptor (2012-2014)</i>	<i>Lower Tube: DS-LOWER-9</i> <i>Upper Pole: 7160-0178</i> <i>Support Brace: 7160-0230</i> Poles ordered separately (pg. 29-31) <i>Motion Attachment: 7160-0220</i> Motion Attachment ordered separately (pg. 36)	10.4 lbs.	8.12"	19.0"	8.93"

Features

- Heavy gauge steel construction for long-term durability
- Black powdercoat finish for maximum corrosion resistance
- Angled step moves poles away from passenger leg space
- Won't interfere with passenger leg space
- One *Offset Universal Mounting Step (Item No. DS-STEP)* is already included with this vehicle base. However, additional *Offset Universal Mounting Steps* can be ordered to stack on top of each other if needed. (pg.31)
- For extra stability, a *Support Brace (Item No. 7160-0230)* is recommended (pg.31)
- Available as a Vehicle Kit (Item No. 7170-0147 and 7170-0148)



Shown: 7160-0350



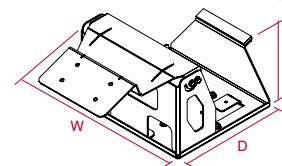
Item No.	Placement	Drilling Required	Weight	Height	Width	Depth
7160-0352	Inside Harley Davidson Police Storage	No - attaches to existing motorcycle bolts for the storage box: <i>Harley-Davidson Police Tour-Pak</i>	10.2 lbs.	8.25"	12.5"	19.5"

Features

- Heavy gauge steel construction for long-term durability
- Black powdercoat finish for maximum corrosion resistance
- Designed for use with the Harley-Davidson Police Tour-Pak storage box
- Compatible with any Gamber-Johnson *Panasonic Toughbook 19 Docking Station/Cradle (Item No. 7160-0264-00, 7160-0264-02, 7160-0264-03, 7160-0264-04, 7160-0264-05)* (pg.87)
- Compatible with the *Brother PocketJet Mount with Printer Roll Isolator (Item No. 7160-0035)* (pg.73)
- Allows for a low profile mounting solution in the storage box
- Laptop flips out of box and is positioned for ergonomic use by motorcycle officers



Shown: 7160-0352



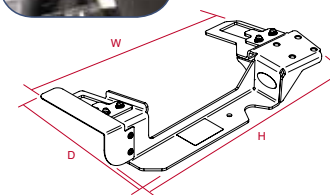
Item No.	Placement	Seat Configuration	Drilling Required	Recommended Pole Solution	Weight	Height	Width	Depth
7160-0381	Attaches to inboard and outboard passenger side seat studs	Bucket	No - attaches to seat studs: <i>Chevrolet Caprice Police Patrol Vehicle (2011-2013)</i>	<i>Lower Tube: DS-LOWER-9</i> <i>Upper Pole: 7160-0178</i> <i>Support Brace: 7160-0230</i> Poles ordered separately (pg. 29-31) <i>Motion Attachment: 7160-0220</i> Motion Attachment ordered separately (pg. 36)	7.3 lbs.	4.2"	21.1"	9.8"

Features

- Heavy gauge steel construction for long-term durability
- Black powdercoat finish for maximum corrosion resistance
- Base works with Chevrolet Caprice Police Patrol Vehicle (9C1 and 9C3)
- Angled step moves poles away from passenger leg space
- Vehicle base includes a cover plate that protects OEM air bag and power wiring harness
- Notched cut-out for floor mat pegs (for use if the carpet option is selected)
- For extra stability, a *Support Brace (Item No. 7160-0230)* is recommended (pg.31)
- Available as a Vehicle Kit (Item No. 7170-0146)



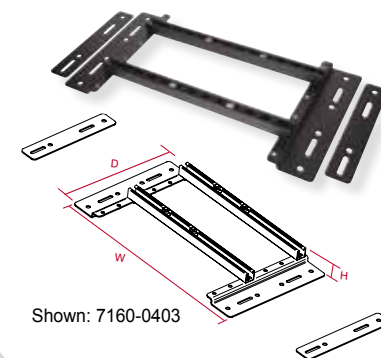
Shown: 7160-0381



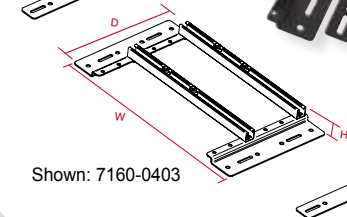
Item No.	Placement	Seat Configuration	Drilling Required	Weight	Height	Width	Depth
7160-0403	Attaches to outboard driver and passenger side seat studs	Bucket	No - attaches to seat studs: <i>International 4300/7300 Work Truck (2011-2014)</i>	24.0 lbs.	2.75"	63.5"	18.75"

Features

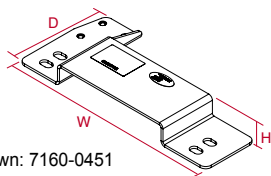
- Heavy gauge steel construction for long-term durability
- Black powdercoat finish for maximum corrosion resistance
- Vehicle base allows workstations, storage or console boxes to be mounted between the seats of the vehicle
- Three locations of strut channel mounting allows for various positions of equipment
- Compatible with air ride seats



Shown: 7160-0403



Vehicle Bases



Shown: 7160-0451

Item No.	Placement	Seat Configuration	Drilling Required	Recommended Pole Solution	Weight	Height	Width	Depth
7160-0451	Attaches to inboard and outboard passenger side seat studs	Bucket	No - attaches to seat studs: <i>Ford Escape (2013-2014)</i>	<i>Lower Pole: DS-LOWER-13</i> <i>Upper Pole: QADJ-UPPER-M</i> <i>Support Brace: 7160-0230</i> Tubes/Poles ordered separately (pg. 29-31) <i>Motion Attachment: 7160-0419 (CLEVIS)</i> Motion Attachment ordered separately (pg. 33)	5.0 lbs.	1.68"	17.0"	7.5"

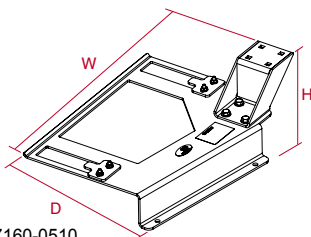
Features

- Heavy gauge steel construction for long-term durability
- Black powdercoat finish for maximum corrosion resistance
- Won't interfere with passenger leg space
- For extra stability, a *Support Brace* (Item No. 7160-0230) is recommended (pg.31)

Note: This base will not work with the *Offset Universal Mounting Step (DS-STEP)*



NEW



Shown: 7160-0510

Item No.	Placement	Seat Configuration	Drilling Required	Recommended Pole Solution	Weight	Height	Width	Depth
7160-0510	Attaches to inboard and outboard passenger side seat hooks	Bucket/ Split Bench	No - attaches to seat hooks: <i>Chevrolet Silverado 1500 (2014)</i> <i>Chevrolet Silverado 2500/3500 (2015)</i> <i>Chevrolet Tahoe (2015)</i> <i>GMC Sierra 1500 (2014)</i> <i>GMC Sierra 2500/3500 (2015)</i> <i>GMC Yukon (2015)</i>	<i>Lower Tube: DS-LOWER-9</i> <i>Upper Pole : 7160-0178</i> <i>Support Brace: 7160-0230</i> Poles ordered separately (pg. 29-31) <i>Motion Attachment: 7160-0220</i> Motion Attachment ordered separately (pg. 36)	13.5 lbs.	7.2"	20.7"	15.4"

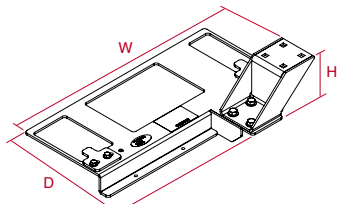
Features

- Heavy gauge steel construction for long-term durability
- Black powdercoat finish for maximum corrosion resistance
- Will not interfere with levers or factory installed console
- One *Offset Universal Mounting Step* (Item No. DS-STEP) is already included with this vehicle base. However, additional *Offset Universal Mounting Steps* can be ordered to stack on top of each other if needed.
- For extra stability, a *Support Brace* (Item No. 7160-0230) is recommended (pg. 31)
- Available as a Vehicle Kit (Item No. 7170-0214)

Note: Rearward travel of the passenger seat is not affected, however there is limited forward seat travel



NEW



Shown: 7160-0520

Item No.	Placement	Seat Configuration	Drilling Required	Recommended Pole Solution	Weight	Height	Width	Depth
7160-0520	Attaches to inboard and outboard passenger side seat hooks	Bucket/ Split Bench	No - attaches to seat hooks: <i>Chevrolet Malibu (2013-2014)</i> <i>Chevrolet Impala - Civilian Model Only (2014)</i>	<i>Lower Tube: DS-LOWER-9</i> <i>Upper Pole : QADJ-UPPER-M</i> <i>Support Brace: 7160-0230</i> Poles ordered separately (pg. 29-31) <i>Motion Attachment: 7160-0285</i> Motion Attachment ordered separately (pg. 35)	10.95 lbs.	5.74"	19.9"	12.84"

Features

- Heavy gauge steel construction for long-term durability
- Black powdercoat finish for maximum corrosion resistance
- Will not interfere with levers or factory installed console
- One *Offset Universal Mounting Step* (Item No. DS-STEP) is already included with this vehicle base. However, additional *Offset Universal Mounting Steps* can be ordered to stack on top of each other if needed
- For extra stability, a *Support Brace* (Item No. 7160-0230) is recommended (pg. 31)

Note: Rearward travel of the passenger seat is not affected, however forward seat travel is slightly affected

Item No.	Placement	Seat Configuration	Drilling Required	Recommended Pole Solution	Weight	Height	Width	Depth
7160-0532	Attaches to inboard and outboard passenger side seat hooks	Bucket/ Split Bench	No - attaches to seat hooks: <i>Chevrolet Caprice PPV (2014)</i>	<i>Lower Tube: DS-LOWER-9</i> <i>Upper Pole: 7160-0178</i> <i>Support Brace: 7160-0230</i> Poles ordered separately (pg. 29-31) <i>Motion Attachment: 7160-0220</i> Motion Attachment ordered separately (pg. 36)	10.65 lbs.	5.87"	18.4"	13.51"

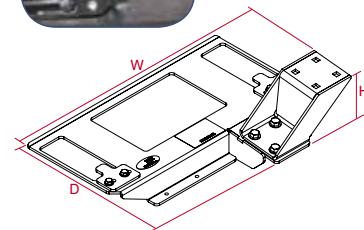
Features

- Heavy gauge steel construction for long-term durability
- Black powdercoat finish for maximum corrosion resistance
- One *Offset Universal Mounting Step* (Item No. DS-STEP) is already included with this vehicle base. However, additional *Offset Universal Mounting Steps* can be ordered to stack on top of each other if needed
- For extra stability, a *Support Brace* (Item No. 7160-0230) is recommended (pg. 31)
- Available as a Vehicle Kit (Item No. 7170-0220)



NEW

Shown: 7160-0532



Item No.	Placement	Seat Configuration	Drilling Required	Recommended Pole Solution	Weight	Height	Width	Depth
7160-0527	Attaches to inboard and outboard passenger side seat hooks	Bucket/ Split Bench	No - attaches to seat studs: <i>Ram ProMaster (2014)</i>	<i>Lower Tube: DS-LOWER-7</i> <i>Upper Pole: 7160-0178</i> <i>Support Brace: 7160-0231</i> Poles ordered separately (pg. 29-31) <i>Motion Attachment: 7160-0500</i> Motion Attachment ordered separately (pg. 34)	7.1 lbs.	5.1"	22.5"	4.8"

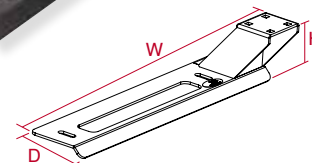
Features

- Heavy gauge steel construction for long-term durability
- Black powdercoat finish for maximum corrosion resistance
- One *Offset Universal Mounting Step* (Item No. DS-STEP) is already included with this vehicle base. However, additional *Offset Universal Mounting Steps* can be ordered to stack on top of each other if needed
- For extra stability, a *Support Brace* (Item No. 7160-0231) is recommended (pg.31)

NEW



Shown: 7160-0527



Item No.	Placement	Seat Configuration	Drilling Required	Recommended Pole Solution	Weight	Height	Width	Depth
7160-0536	Attaches to inboard and outboard passenger side seat hooks	Bucket/ Split Bench	No - attaches to seat studs: <i>Ford Transit Connect (2014)</i>	<i>Lower Tube: DS-LOWER-9</i> <i>Upper Pole: 7160-0178</i> <i>Support Brace: 7160-0230</i> Poles ordered separately (pg. 29-31) <i>Motion Attachment: 7160-0220</i> Motion Attachment ordered separately (pg. 34)	3.35 lbs.	4.46"	5.81"	4.30"

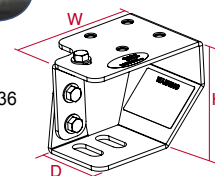
Features

- Heavy gauge steel construction for long-term durability
- Black powdercoat finish for maximum corrosion resistance
- For extra stability, a *Support Brace* (Item No. 7160-0230) is recommended (pg. 31)



NEW

Shown: 7160-0536



Item No.	Placement	Seat Configuration	Drilling Required	Recommended Pole Solution	Weight	Height	Width	Depth
7160-0537	Attaches to inboard and outboard passenger side seat hooks	Bucket/ Split Bench	No - attaches to seat studs: <i>Ford Transit (2015)</i>	<i>Lower Tube: DS-LOWER-9</i> <i>Upper Pole: 7160-0178</i> <i>Support Brace: 7160-0231</i> Poles ordered separately (pg. 29-31) <i>Motion Attachment: 7160-0220</i> Motion Attachment ordered separately (pg. 36)	4.75 lbs.	1.18"	23.0"	4.21"

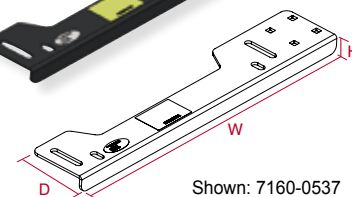
Features

- Heavy gauge steel construction for long-term durability
- Black powdercoat finish for maximum corrosion resistance
- For extra stability, a *Support Brace* (Item No. 7160-0231) is recommended (pg. 31)

NEW



Shown: 7160-0537



Poles

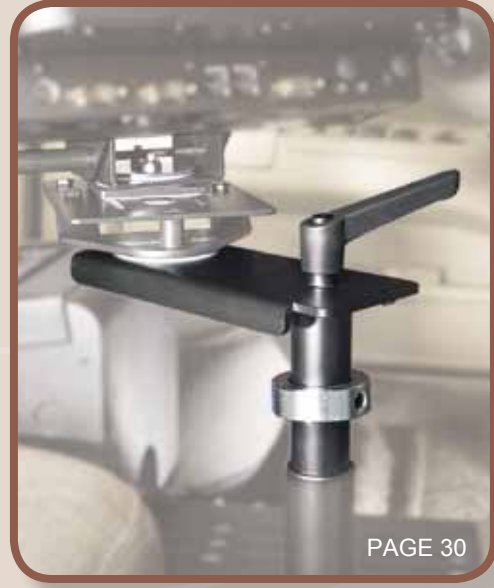


PAGE 29

DS-LOWER-9 with DS-UPPER-M

Features/Benefits

- Height adjustment from 9.2" - 14" when used together giving flexibility to multiple users
- Left/right rotational adjustment to position communication equipment towards the driver or passenger
- Made with steel for long lasting durability and stability



PAGE 30

QADJ-UPPER-M

Features/Benefits

- Quick adjust lever for left/right rotation positions the equipment towards the passenger or driver
- Set-collar stabilizes height while rotational adjustments are made
- Motion attachments can be mounted on top of any *Upper Pole*



PAGE 31

SUPPORT BRACES (7160-0230 & 7160-0231)

Features/Benefits

- Telescoping design along with threaded collet nuts allows for precise length adjustment without drilling into the pole
- Increases the mounting system rigidity in rugged driving environments

Complete Poles

Item No.	Placement	Height Adjustability	Weight	Height	Width	Depth
3" DS-POLE	Any <i>MCS Top Plate</i> or <i>Vehicle Base</i> without a welded pole	Yes - from 3.4" - 5.5"	2.1 lbs.	3.3" - 5.5"	3.0"	3.0"

Features

- Heavy gauge steel construction for long-term durability
- Black powdercoat finish for maximum corrosion resistance
- Hardware for attaching to *MCS Top Plates* included (pg. 49)
- Is not compatible with the following *Vehicle Bases* (Item No. DS-52, DS-53, DS-56, DS-57, DS-100, DS-138, 7160-0090, 7160-0116, 7160-0133, 7160-0198, or 7160-0248)

3" Center-Mounted Complete Poles

Item No.	Placement	Height Adjustability	Weight	Height	Width	Depth
DS-POLE-CTR	Any <i>MCS Top Plate</i> or <i>Vehicle Base</i> without a welded pole	No - welded pole	3 lbs.	4.65"	3.0"	3.0"

Features

- Heavy gauge steel construction for long-term durability
- Black powdercoat finish for maximum corrosion resistance
- Specifically designed for low profile computer mounting in the Dodge Charger/Magnum police vehicle
- A *Low Profile Motion Attachment* (Item No. LOWSWIVEL) is recommended for use in the Dodge Charger/Magnum police vehicle (pg. 33)
- Hardware for attaching to *MCS Top Plates* included (pg. 49)
- Is not compatible with the following *Vehicle Bases* (Item No. DS-52, DS-53, DS-56, DS-57, DS-100, DS-138, 7160-0090, 7160-0116, 7160-0133, 7160-0198, or 7160-0248)

Key Dimension - Affects Overall Height of Equipment

Lower Tubes

Item No.	Placement	Height Adjustability	Weight	Height	Width	Depth
DS-LOWER-5	Any <i>MCS Top Plate</i> or <i>Vehicle Base</i> without a welded pole	Yes - from 5.0" - 7.0" adjustment includes upper pole	1.5 lbs.	5.0"	3.0"	3.0"
DS-LOWER-7	Any <i>MCS Top Plate</i> or <i>Vehicle Base</i> without a welded pole	Yes - from 7.0" - 9.0" adjustment includes upper pole	1.8 lbs.	7.0"	3.0"	3.0"
DS-LOWER-9	Any <i>MCS Top Plate</i> or <i>Vehicle Base</i> without a welded pole	Yes - from 9.0" - 14.25" adjustment includes upper pole	2.1 lbs.	9.0"	3.0"	3.0"
DS-LOWER-13	Any <i>MCS Top Plate</i> or <i>Vehicle Base</i> without a welded pole	Yes - from 13.0" - 18.25" adjustment includes upper pole	2.65 lbs.	13.0"	3.0"	3.0"

Features

- Heavy gauge steel construction for long-term durability
- Black powdercoat finish for maximum corrosion resistance
- Hardware for attaching to *MCS Top Plates* included (pg. 49)
- Is not compatible with the following *Vehicle Bases* (Item No. DS-52, DS-53, DS-56, DS-57, DS-100, DS-138, 7160-0090, 7160-0116, 7160-0133, 7160-0198, or 7160-0248)

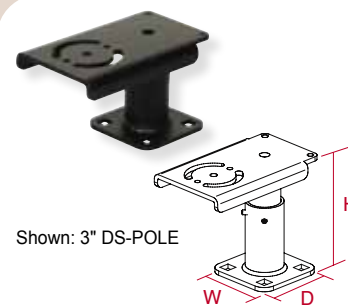
Key Dimension - Affects Overall Height of Equipment

Center Upper Tubes

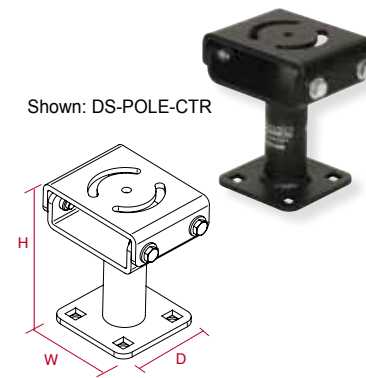
Item No.	Placement	Height Adjustability	Weight	Height	Width	Depth
7160-0177	Inserts into: - Any Gamber-Johnson <i>Lower Tube</i> - <i>Vehicle Base</i> that has a welded lower tube	Allows 0.38" to 2.76" adjustment above lip of <i>Lower Tube</i>	2.8 lbs.	7.22"	4.31"	3.0"
7160-0178	Inserts into: - 9" <i>Lower Tube</i> (Item No. DS-LOWER-9) - 13" <i>Lower Tube</i> (Item No. DS-LOWER-13) - <i>Vehicle Base</i> that has a welded lower tube	Allows 0.38" to 5.76" adjustment above lip of <i>Lower Tube</i>	3.2 lbs.	10.22"	4.31"	3.0"

Features

- Heavy gauge steel construction for long-term durability
- Black powdercoat finish for maximum corrosion resistance
- Allows for closer mounting to the dash when off-set adjustability is not needed
- Less stress on the vehicle mounting equipment as weight is centered on the pole
- Wrench is needed for loosening, tightening and height adjustment



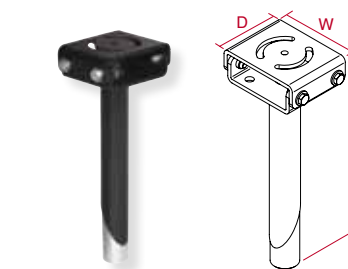
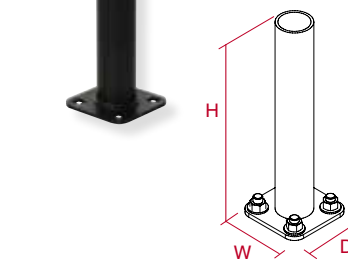
Shown: 3" DS-POLE



Shown: DS-POLE-CTR



Shown: DS-LOWER-9



Shown: 7160-0178

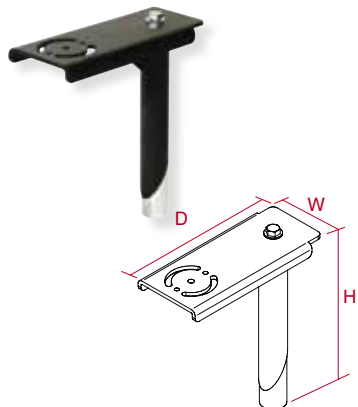


Poles

Standard-Adjustable Upper Poles



Shown: DS-UPPER-M



Item No.	Placement	Height Adjustability	Weight	Height	Width	Depth
DS-UPPER	Inserts into: - 7" Lower Tube (Item No. DS-LOWER-7) - 9" Lower Tube (Item No. DS-LOWER-9) - 13" Lower Tube (Item No. DS-LOWER-13) - Vehicle Base that has a welded lower tube	Allows 0.38" - 5.76" adjustment above lip of Lower Tube	2.6 lbs.	8.00"	3.5"	5.8"
DS-UPPER-5	Inserts into: - Any Gamber-Johnson Lower Tube - Vehicle Base that has a welded lower tube	Allows 0.38" - 2.76" adjustment above lip of Lower Tube	2.2 lbs.	5.00"	3.5"	5.8"
DS-UPPER-M	Inserts into: - 7" Lower Tube (Item No. DS-LOWER-7) - 9" Lower Tube (Item No. DS-LOWER-9) - 13" Lower Tube (Item No. DS-LOWER-13) - Vehicle Base that has a welded lower tube	Allows 2.18" - 5.76" adjustment above lip of Lower Tube	3.3 lbs.	8.00"	3.5"	8.0"
DS-UPPER-M5	Inserts into: - Any Gamber-Johnson Lower Tube - Vehicle Base that has a welded lower tube	Allows 2.18" - 2.76" adjustment above lip of Lower Tube	2.9 lbs.	5.00"	3.5"	8.0"
DS-UPPER-L	Inserts into: - 7" Lower Tube (Item No. DS-LOWER-7) - 9" Lower Tube (Item No. DS-LOWER-9) - 13" Lower Tube (Item No. DS-LOWER-13) - Vehicle Base that has a welded lower tube	Allows 2.18" - 5.76" adjustment above lip of Lower Tube	4.1 lbs.	8.00"	3.5"	12.0"

Features

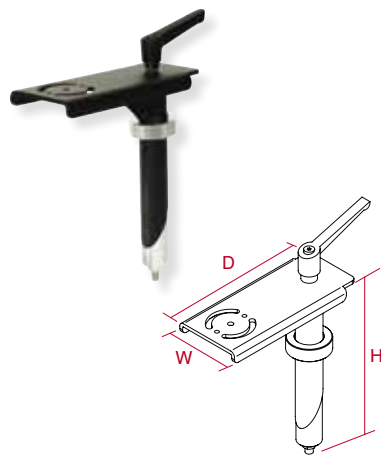
- Heavy gauge steel construction for long-term durability
- Black powdercoat finish for maximum corrosion resistance
- Any **Motion Attachment** can be mounted on top of these *Upper Poles*.
- Wrench is needed for left/right rotational adjustments and height adjustments.

Key Dimension - Determines How Far Equipment Extends Away From Pole

Quick-Adjustable Upper Poles



Shown: QADJ-UPPER-M



Item No.	Placement	Height Adjustability	Weight	Height	Width	Depth
QADJ-UPPER-S	Inserts into: - 7" Lower Tube (Item No. DS-LOWER-7) - 9" Lower Tube (Item No. DS-LOWER-9) - 13" Lower Tube (Item No. DS-LOWER-13) - Vehicle Base that has a welded lower tube	Allows 0.38" - 5.76" adjustment above lip of Lower Tube	3.1 lbs.	8.25"	3.5"	5.8"
QADJ-UPPER-S5	Inserts into: - Any Gamber-Johnson Lower Tube - Vehicle Base that has a welded lower tube	Allows 0.38" - 2.76" adjustment above lip of Lower Tube	2.2 lbs.	5.25"	3.5"	5.8"
QADJ-UPPER-M	Inserts into: - 7" Lower Tube (Item No. DS-LOWER-7) - 9" Lower Tube (Item No. DS-LOWER-9) - 13" Lower Tube (Item No. DS-LOWER-13) - Vehicle Base that has a welded lower tube	Allows 2.18" - 5.76" adjustment above lip of Lower Tube	3.3 lbs.	8.25"	3.5"	8.0"
QADJ-UPPER-M5	Inserts into: - Any Gamber-Johnson Lower Tube - Vehicle Base that has a welded lower tube	Allows 2.18" - 2.76" adjustment above lip of Lower Tube	2.9 lbs.	5.25"	3.5"	8.0"
QADJ-UPPER-L	Inserts into: - 7" Lower Tube (Item No. DS-LOWER-7) - 9" Lower Tube (Item No. DS-LOWER-9) - 13" Lower Tube (Item No. DS-LOWER-13) - Vehicle Base that has a welded lower tube	Allows 2.18" - 5.76" adjustment above lip of Lower Tube	4.1 lbs.	8.25"	3.5"	12.0"
QADJ-UPPER-L5	Inserts into: - Any Gamber-Johnson Lower Tube - Vehicle Base that has a welded lower tube	Allows 2.18" - 2.76" adjustment above lip of Lower Tube	4.4 lbs.	5.25"	3.5"	12.0"

Features

- Heavy gauge steel construction for long-term durability
- Black powdercoat finish for maximum corrosion resistance
- Any **Motion Attachment** can be mounted on top of these *Upper Poles*.
- Convenient lever controls left/right rotational adjustments and height adjustments. Wrench is not needed for adjustments.
- Set-collar can be used to stabilize height while rotational adjustments are made.

Key Dimension - Determines How Far Equipment Extends Away From Pole

Low Profile Bracket

Item No.	Placement	Weight	Height	Width	Depth
ABF-KIT	Any Vehicle Base without a welded pole	0.8 lbs.	1.5"	3.0"	6.6"

Features

- Heavy gauge steel construction for long-term durability
- Black powdercoat finish for maximum corrosion resistance
- Positions equipment low to the floor
- Hardware for attaching to **MCS Top Plates** included (pg. 49)
- Is not compatible with the following **Vehicle Bases** (Item No. DS-52, DS-53, DS-56, DS-57, DS-100, DS-138, 7160-0090, 7160-0116, 7160-0133, 7160-0198, or 7160-0248)

Offset Universal Mounting Step

Item No.	Placement	Drilling Required	Pole	Weight	Height	Width	Depth
DS-STEP	Any MCS Top Plate or Vehicle Base without a welded pole or directly to the vehicle floor	No-When mounting onto a Vehicle Base or MCS Top Plate Yes-Drilling is required when mounting directly to the vehicle floor	Order Lower and Upper Pole separately (pg. 29-30)	3.0 lbs.	4.0"	3.6"	3.5"

Features

- Heavy gauge steel construction for long-term durability
- Black powdercoat finish for maximum corrosion resistance
- Offset design moves mounting system away from passenger leg space towards driver
- Will not interfere with levers or factory-installed console
- The **Offset Universal Mounting Step** is already included in the following **Vehicle Bases** (Item No. DS-112, DS-118, DS-120, DS-124, DS-132, DS-142, DS-144, DS-150, 7160-0036, 7160-0046, 7160-0055, 7160-0234, 7160-0256, 7160-0260, 7160-0262, 7160-0281, 7160-0323, 7160-0342, 7160-0350, 7160-0510, or 7160-0520) however, additional **Offset Universal Mounting Steps** can be ordered to stack on top of each other if needed.
- Is not compatible with the following **Vehicle Bases** (Item No. DS-52, DS-53, DS-56, DS-57, DS-100, DS-138, 7160-0090, 7160-0116, 7160-0133, 7160-0198, 7160-0248, or 7160-0451)

Vertical Adjust Preventative Collar

Item No.	Placement	Weight	Height	Width	Depth
7110-0297	Secures at point where Upper Pole/Lower Tube converge	0.4 lbs.	1.3"	2.5"	2.7"

Features

- Heavy gauge steel construction for long-term durability
- Black powdercoat finish for maximum corrosion resistance
- Prevents user from vertically adjusting equipment into the air bag zone
- Deters theft
- Does not inhibit left/right rotational adjustments

Rack-To-Post Platforms

Item No.	Placement	Weight	Height	Width	Depth
DS-74	Secures to any Lower Tube	1.9 lbs.	4.0"	3.0"	6.0"
DS-74-L	Secures to any Lower Tube	2.6 lbs.	3.56"	3.0"	9.38"

Features

- Heavy gauge steel construction for long-term durability
- Black powdercoat finish for maximum corrosion resistance
- Provides additional mounting surface for radios, printers and other equipment
- Two muffler clamps are included for securing to pole
- Pre-drilled holes for use with the following **Printer Mounts** (Item No. 7160-0126, 7160-0392 or 7160-0507) (pg. 73-74)

Support Braces

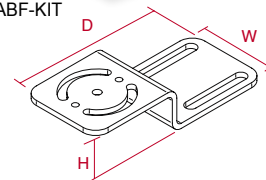
Item No.	Placement	Weight	Width	Depth
7160-0230	Pole clamp attaches to the Lower Tube , flattened surface on opposite end secures to vehicle floor, console or dash	1.1 lbs.	2.3"	10.3" to 16.3"
7160-0231	Pole clamp attaches to the Lower Tube , flattened surface on opposite end secures to vehicle floor, console or dash	1.5 lbs.	2.3"	10.3" to 35.3"

Features

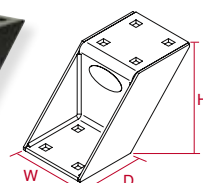
- Heavy gauge steel construction for long-term durability
- Acrylic eCoat finish for maximum corrosion resistance
- Designed for ease of installation
- Telescoping design along with threaded collet nut allows for precise length adjustment without drilling into the pole
- Includes durable aluminum pole clamp that prevents catch points
- Increases the mounting system rigidity in rugged driving environments



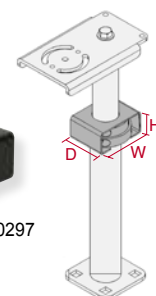
Shown: ABF-KIT



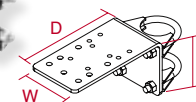
Shown: DS-STEP



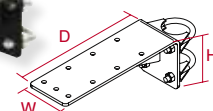
Shown: 7110-0297



Shown: DS-74



Shown: DS-74-L



Shown: 7160-0230



Shown: 7160-0231

Motion Attachments



PAGE 35

Quad Motion TS3 (7160-0284)

Features/Benefits

- Two separate pivot points allow for swiveling, sliding, swiveling again and tilting the computer to ideal location
- Maximum range of motion allows for comfortable use by both driver and passenger
- Adjustments can be made easily by turning the quick adjustment knob and moving the equipment in the desired position



PAGE 34

6" Locking Slide Arm (7160-0500)

Features/Benefits

- Locking slide arm can slide up to 5.5"
- The entire arm can rotate around 360° with locking points every 15°
- Motion Attachment can rotate 360° allowing for maximum flexibility



PAGE 36

9" Locking Slide Arm

Mongoose (7160-0220)

Features/Benefits

- Locking slide arm and telescope 9" to 13" from the center of the pole
- Utilizes Slam and Lock technology that allows you to push the computer back to retracted position and automatically locks into place
- Motion Attachment can rotate 360° allowing for maximum flexibility
- The entire arm can rotate 360° with locking points at every 15°



PAGE 37

12" Locking Slide Arm (7160-0053)

Features/Benefits

- Motion Attachment can rotate 360° allowing for maximum flexibility
- The entire arm can rotate around 360° with locking points every 22.5°
- 12" locking arm has 6 locking points 1.81" apart

Clevis Motion Attachment

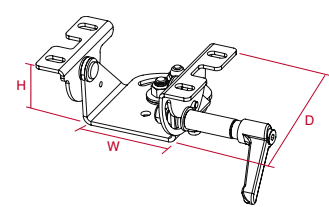
Item No.	Placement	Tilt	Swivel	Slide	Weight	Height	Width	Depth
7160-0419	Any <i>Upper Pole, Complete Pole, Center Pole, Low Profile Bracket</i> or directly to any flat surface	Yes - up to 90° fore/30° aft	Yes - up to 60° right/ 60° left	No	1.25 lbs.	2.34"	5.0"	4.27"

Features

- Heavy gauge steel construction for long-term durability
- Black powdercoat finish for maximum corrosion resistance
- Tilt capabilities:
 - 90° forward allows for tablets to be easily mounted
 - 30° aft movement with a positive stop at 30°
 - Riveted design allows for smoother tilt movement
- Swivel capabilities:
 - 60° right/60° left
- Easier installation:
 - Open throat design for ease of mounting to docking stations and cradles
 - Fixed mounting studs
- Does not require smiley face pattern (see pg 4 for hole pattern definitions) for mounting. Built in swivel function allows Clevis to be mounted on any flat, rigid surface. When mounted to a smiley face pattern the built in swivel function gives the user more flexibility of the Clevis positioning during installation.
- Rear fastening stud allows the Clevis to be locked in a fixed position
- Lever provides a secure clamping force when tilted



Shown: 7160-0419



Tall Clevis Motion Attachment

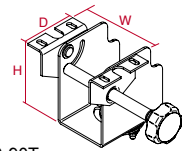
Item No.	Placement	Tilt	Swivel	Slide	Weight	Height	Width	Depth
CLEVIS 0-90T	Mobile Workstations or any <i>Upper Pole, Complete Pole, Center Pole, Low Profile Bracket</i>	Yes - up to 90° fore	Yes - up to 60° right/ 60° left	No	2.0 lbs.	4.65"	5.07"	5.0"

Features

- Heavy gauge steel construction for long-term durability
- Black powdercoat finish for maximum corrosion resistance



Shown: CLEVIS 0-90T

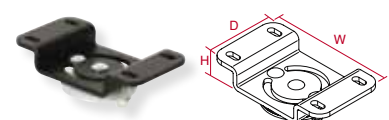


Lowerswivel Motion Attachment

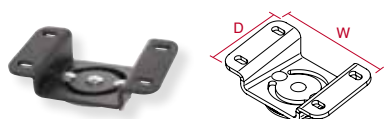
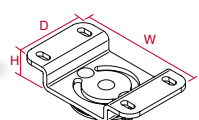
Item No.	Placement	Tilt	Swivel	Slide	Weight	Height	Width	Depth
LOWSWIVEL	Any <i>Upper Pole, Complete Pole, Center Pole, Low Profile Bracket</i>	No	Yes - up to 60° right/60° left	No	1.5 lbs.	0.75"	5.25"	3.0"
7160-0268	Any <i>Upper Pole, Complete Pole, Center Pole, Low Profile Bracket</i>	No - Motion Attachment has a fixed angle of 10°	Yes - up to 60° right/60° left	No	1.3 lbs.	1.34"	5.25"	3.0"
7160-0436	Any <i>Upper Pole, Complete Pole, Center Pole, Low Profile Bracket</i> . Has a 3/8" center hole for 360° rotation. Is recommended to be used with Mongoose with 3/8" stud (Item No. 7160-0427).	No - Motion Attachment has a fixed angle of 10°	Yes - up to 360°	No	1.3 lbs.	1.34"	5.25"	3.0"

Features

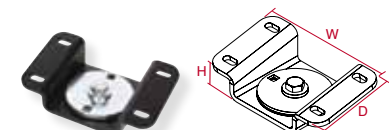
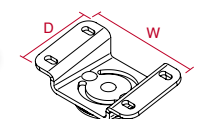
- Heavy gauge steel construction for long-term durability
- Black powdercoat finish for maximum corrosion resistance



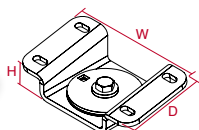
Shown: LOWSWIVEL



Shown: 7160-0268



Shown: 7160-0436

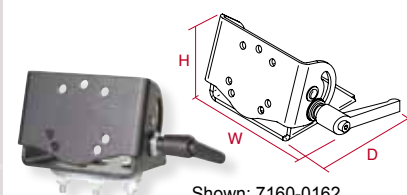


Mini-Clevis Motion Attachment

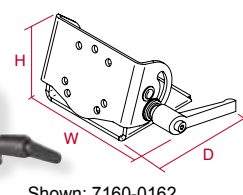
Item No.	Placement	Tilt	Swivel	Slide	Weight	Height	Width	Depth
7160-0162	Any <i>Upper Tube, Complete Pole Assembly</i> or <i>Low Profile Bracket</i>	Yes - up to 72° fore/40° aft	Yes - up to 60° right/ 60° left	No	1.04 lbs	2.62"	5.16"	3.13"

Features

- Heavy gauge steel construction for long-term durability
- Black powdercoat finish for maximum corrosion resistance
- Designed to work with smaller handheld devices (rugged and non-rugged)
- Will hold devices up to 3.5 lbs
- Ratcheting lever allows for easy tilting adjustment
- Motion Attachment uses VESA and AMPS hole pattern (see pg 4 for hole pattern definitions)



Shown: 7160-0162

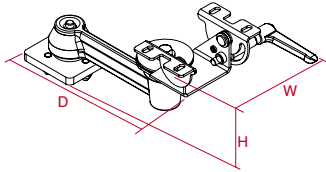


Motion Attachments

6" Articulating Arm



Shown: 7160-0497

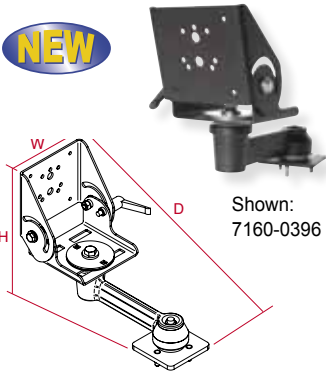


Item No.	Placement	Tilt	Swivel	Rotate	Weight	Height	Width	Depth
7160-0497	Any <i>Upper Pole, Complete Pole, Center Pole, Low Profile Bracket</i> or the <i>Universal Portable Base</i> (Item No. 7160-0033)	Yes - up to 90° fore/30° aft	Yes - up to 360°	No	3.25 lbs	5.5"	7.5"	11.0"

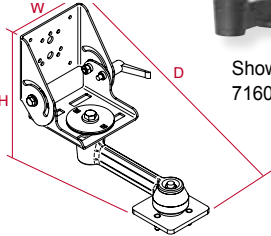
Features

- Marine-grade aluminum to help prevent rusting
- Black powdercoat finish for maximum corrosion resistance
- Can tilt, swivel, pull-out and rotate equipment 360° to virtually any position for optimal computer placement
- Extends 6" bringing equipment close to the user
- Designed to hold any Gamber-Johnson computer docking station or cradle
- Recommended for use with *Universal Portable Base* (Item No. 7160-0033) (pg. 19)

6" Articulating Arm with Clam Shell



Shown: 7160-0396

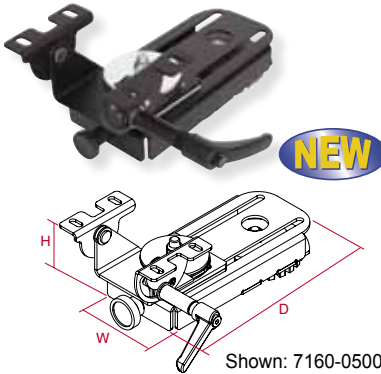


Item No.	Placement	Tilt	Swivel	Rotate	Weight	Height	Width	Depth
7160-0396	Any <i>Upper Pole, Complete Pole, Center Pole, Low Profile Bracket</i>	Yes - up to 160° fore/160° aft	Yes - up to 360°	360°	3.0 lbs	7.88"	6.0"	10.6"

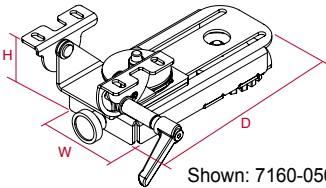
Features

- Marine-grade aluminum to help prevent rusting
- Black powdercoat finish for maximum corrosion resistance
- Clam Shell has AMPS, NEC and 75mm VESA hole pattern on it
- The adjustable lever allows you to tilt the clam shell forward or backward and comes with a secondary bolt to lock the clam shell into a permanent position if required
- Can tilt, swivel, pull-out and rotate equipment 360° to virtually any position for optimal computer placement
- Extends 6" bringing equipment close to the user
- Designed to hold any Gamber-Johnson computer docking station or cradle in a vertical/tablet position

6" Locking Slide Arms



Shown: 7160-0500



Item No.	Placement	Motion Attachment Included	Tilt	Rotate	Slide	Weight	Height	Width	Depth
7160-0500	Any <i>Upper Pole, Complete Pole, Center Pole, Low Profile Bracket</i> or directly to any flat surface	Yes - Includes a Clevis	Yes - up to 90° fore/30° aft	Motion Attachment - 360° Entire arm - 360° can lock at every 15°	Yes - up to 5.5" fore/aft	4.6 lbs.	3.61"	5.0"	9.56"
7160-0502	Any <i>Upper Pole, Complete Pole, Center Pole, Low Profile Bracket</i> or directly to any flat surface	Yes - Includes a Lowswivel	No - Motion Attachment has a fixed angle of 10°	Motion Attachment - 360° Entire arm - 360° can lock at every 15°	Yes - up to 5.5" fore/aft	4.6 lbs.	2.89"	5.0"	8.41"

Features

- Heavy gauge steel construction for long-term durability
- Black powdercoat finish for maximum corrosion resistance
- The entire arm can rotate around 360° with locking points at every 15°
- To rotate the arm simply pull the front lever out, rotate to desired position and then release the lever
- Locking slide arm can slide up to 5.5" from the center of the pole
- Can be mounted directly to a flat surface or on any *Upper Pole, Complete Pole, Center Pole* or *Low Profile Bracket*
- **Clevis Motion Attachment (7160-0500):**
 - Tilt capabilities:
 - 90° forward allows for tablets to be easily mounted
 - 30° aft movement with a positive stop at 30°
 - Riveted design allows for smoother tilt movement
 - Easier installation:
 - Open throat design for ease of mounting to docking stations and cradles
- **Lowswivel Motion Attachment (7160-0502):**
 - Tilt capabilities:
 - Fixed 10° angle for low profile mounting solution

6" Locking Slide Arm with 3/8" stud

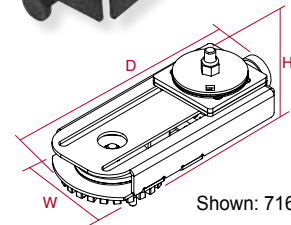
Item No.	Placement	Motion Attachment Included	Tilt	Rotate	Slide	Weight	Height	Width	Depth
7160-0514	Any <i>Upper Pole, Complete Pole, Center Pole, Low Profile Bracket</i> or directly to any flat surface	No - must use Motion Attachment (Item No. 7160-0436)	No	Entire arm - 360° can lock at every 15°	Yes - up to 5.5" fore/aft	5.2 lbs	4.0"	4.0"	12.0"

Features

- Heavy gauge steel construction for long-term durability
- Black powdercoat finish for maximum corrosion resistance
- The entire arm can rotate around 360° with locking points at every 15°
- To rotate the arm simply pull the front lever out, rotate to desired position and then release the lever
- Locking slide arm can slide up to 5.5" from the center of the pole
- Can be mounted directly to a flat surface or on any *Upper Pole, Complete Pole, Center Pole or Low Profile Bracket*
- Designed to be used with the Gamber-Johnson *Lowswivel with a 3/8" hole* (Item No. 7160-0436) (sold separately)



NEW



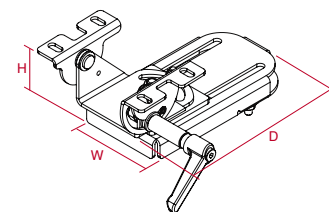
Shown: 7160-0514

Quad-Motion Attachments

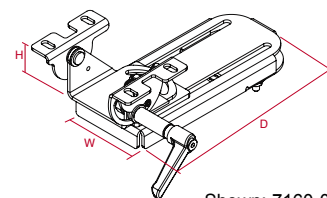
Item No.	Placement	Tilt	Swivel	Slide	Weight	Height	Width	Depth
7160-0284	Any <i>Upper Pole, Complete Pole, Center Pole, Low Profile Bracket</i>	Yes - up to 90° fore/30° aft	Yes - up to 60° right/60° left on different pivot points	Yes - up to 3.5" fore/aft	3.71 lbs	3.38"	3.44"	6.52"
7160-0285	Any <i>Upper Pole, Complete Pole, Center Pole, Low Profile Bracket</i>	Yes - up to 90° fore/30° aft	Yes - up to 60° right/60° left on different pivot points	Yes - up to 5.0" fore/aft	3.93 lbs	3.38"	3.44"	8.02"

Features

- Heavy gauge steel construction for long-term durability
- Black powdercoat finish for maximum corrosion resistance
- Two separate pivot points allow for swiveling, sliding, swiveling again and tilting the computer to ideal location
- Maximum range of motion allows for comfortable use by both driver and passenger
- Adjustments can be made easily by turning the quick adjustment knob and moving the equipment in the desired position
- Improved sliding plate for smoother forward and backward motion
- Reduced height and width creates an optimal solution for console mounted configurations
- Motion Attachment:
 - Tilt capabilities:
 - 90° forward allows for tablets to be easily mounted
 - 30° aft movement with a positive stop at 30°
 - Riveted design allows for smoother tilt movement
 - Swivel capabilities:
 - 60° right/60° left
 - Easier installation:
 - Open throat design for ease of mounting to docking stations and cradles



Shown: 7160-0284



Shown: 7160-0285



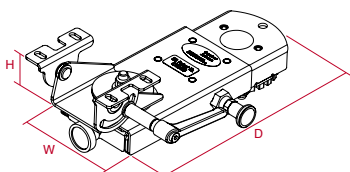
Motion Attachments

Mongoose - 9" Locking Slide Arm

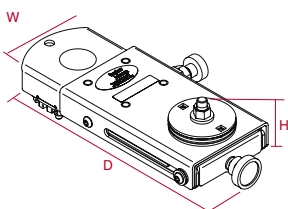
Item No.	Placement	Motion Attachment Included	Tilt	Rotate	Weight	Height	Width	Depth
7160-0220	Any <i>Upper Pole, Complete Pole, Center Pole, Low Profile Bracket</i> or directly to any flat surface	Yes	Yes - up to 90° fore/ 30° aft	Motion Attachment - 360° Entire arm - 360° can lock at every 15°	6.65 lbs	4.24"	5.0"	11.94"

Features

- Design is protected by US Patent Number 8,511,629
- Heavy gauge steel construction for long-term durability
- Black powdercoat finish for maximum corrosion resistance
- The entire arm can rotate around 360° with locking points at every 15°
- To rotate the arm simply pull the front lever out, rotate to desired position and then release the lever
- Locking slide arm can telescope 9" to 13" from the center of the pole and utilizes Slam and Lock technology and allows you to simply push the computer to the retracted position and it automatically locks into place
- Motion Attachment:
 - Tilt capabilities:
 - 90° forward allows for tablets to be easily mounted
 - 30° aft movement with a positive stop at 30°
 - Riveted design allows for smoother tilt movement
 - Rotation capabilities:
 - Motion attachment can rotate 360° allowing for maxium flexibility in computer placement
 - Easier installation:
 - Open throat design for ease of mounting to docking stations and cradles
- Heavy duty, spring loaded steel, side pin was tested to 50,000+ cycles
- Can be mounted directly to a flat surface or on any *Upper Pole, Complete Pole, Center Pole or Low Profile Bracket*



Shown: 7160-0220



Shown: 7160-0427



Mongoose - 9" Locking Slide Arm with 3/8" stud

Item No.	Placement	Motion Attachment Included	Tilt	Rotate	Weight	Height	Width	Depth
7160-0427	Any <i>Upper Pole, Complete Pole, Center Pole, Low Profile Bracket</i> or directly to any flat surface	No - must use Motion Attachment (Item No. 7160-0436)	No	Motion Attachment - 360° Entire arm - 360° can lock at every 15°	5.2 lbs	4.0"	4.0"	12.0"

Features

- Design is protected by US Patent Number 8,511,629
- Heavy gauge steel construction for long-term durability
- Black powdercoat finish for maximum corrosion resistance
- The entire arm can rotate around 360° with locking points at every 15°
- To rotate the arm simply pull the front lever out, rotate to desired position and then release the lever
- Locking slide arm can telescope 9" to 13" from the center of the pole and utilizes Slam and Lock technology and allows you to simply push the computer to the retracted position and it automatically locks into place
- Heavy duty, spring loaded steel, side pin was tested to 50,000+ cycles
- Designed to be used with the Gamber-Johnson Lowswivel with a 3/8" hole (Item No. 7160-0436) **(sold separately)**
- Can be mounted directly to a flat surface or on any *Upper Tube, Complete Pole, Center Pole or Low Profile Bracket*

Locking Swing Arm

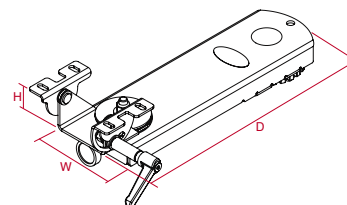
Item No.	Placement	Motion Attachment Included	Tilt	Rotate	Weight	Height	Width	Depth
7160-0341	Any <i>Upper Pole, Complete Pole, Center Pole or Low Profile Brackets</i> or directly to any flat surface	Yes	Yes - up to 90° fore/ 30° aft	Motion Attachment - 360° Entire arm - 360° can lock at every 15°	5.60 lbs.	3.74"	5.0"	14.46"

Features

- Heavy gauge steel construction for long-term durability
- Black powdercoat finish for maximum corrosion resistance
- Motion Attachment can rotate 360° allowing for maximum flexibility in computer placement
- The entire arm can rotate around 360° with locking points at every 15°
- To rotate the arm simply pull the front lever out, rotate to desired position and then release the lever
- Ideal for work trucks and vans
- Motion Attachment:
 - Tilt capabilities:
 - 90° forward allows for tablets to be easily mounted
 - 30° aft movement with a positive stop at 30°
 - Riveted design allows for smoother tilt movement
 - Rotation capabilities:
 - Motion attachment can rotate 360° allowing for maxium flexibility in computer placement
 - Easier installation:
 - Open throat design for ease of mounting to docking stations and cradles
- Can be mounted directly to a flat surface or on any *Upper Tube, Complete Pole, Center Pole or Low Profile Bracket*



Shown: 7160-0341



12" Locking Slide Arm

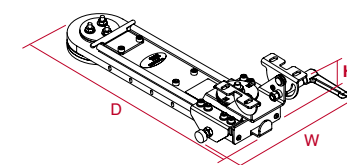
Item No.	Placement	Motion Attachment Included	Tilt	Rotate	Weight	Height	Width	Depth
7160-0053	Any <i>Upper Pole, Complete Pole, Center Pole or Low Profile Brackets</i> or directly to any flat surface	Yes	Yes - up to 90° fore/ 30° aft	Motion Attachment - 360° Entire arm - 360° can lock at every 22.5°	4.4 lbs.	4.43"	7.76"	15.0"

Features

- Heavy gauge steel construction for long-term durability
- Black powdercoat finish for maximum corrosion resistance
- The entire arm can rotate around 360° with locking points at every 22.5°
- To rotate the arm simply pull the front lever out, rotate to desired position and then release the lever
- 12" locking arm has 6 locking points 1.81" apart
- Locking pin can be placed on either side of the base giving the user easy access no matter where the arm is installed
- Motion Attachment:
 - Tilt capabilities:
 - 90° forward allows for tablets to be easily mounted
 - 30° aft movement with a positive stop at 30°
 - Riveted design allows for smoother tilt movement
 - Rotation capabilities:
 - Motion attachment can rotate 360° allowing for maxium flexibility in computer placement
 - Easier installation:
 - Open throat design for ease of mounting to docking stations and cradles
- Can be mounted directly to a flat surface or on any *Upper Tube, Complete Pole, Center Pole or Low Profile Bracket*
- A backing plate is included with the arm



Shown: 7160-0053

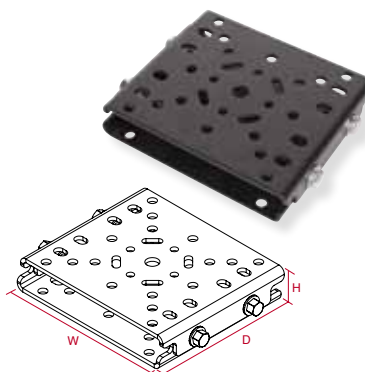


Universal Adapter

Item No.	Placement	Weight	Height	Width	Depth
7160-0454	Between any Screen/Display or Docking Station with a 75mm or 100mm VESA, NEC, AMPS, Havis, Jotto or PMT hole pattern and any Gamber-Johnson Motion Attachment	0.85 lbs.	0.97"	5.0"	5.0"

Features

- Steel construction for long-term durability
- Black powdercoat finish for maximum corrosion resistance
- Compatible with screens/displays or Docking Station that utilize the 75mm and 100mm VESA, NEC, AMPS, Havis, Jotto or PMT hole pattern and allows you to attach the Gamber-Johnson standard hole pattern (see pg. 4 for hole pattern definitions)
- Adapter plate can be mounted to flat surfaces
- Built-in cable restraint tie for service loops
- Adapter plate includes pem's for easy installation



Shown: 7160-0454

Mission Control System



Ford Sedan Police Interceptor

RECOMMENDED SOLUTION:

- VEHICLE SPECIFIC CONSOLE (7160-0409) (pg 45)
- FOUR MOTION ATTACHMENT (7160-0285) (pg 35)

Features/Benefits

- Vehicle specific console box attaches directly to the transmission hump (no need for separate leg kit)
- Low profile box design for emergency passenger side egress
- Removable top plate and center plate for easy radio installation and wire routing



Ford Utility Police Interceptor

RECOMMENDED SOLUTION:

- VEHICLE SPECIFIC CONSOLE (7160-0411) (pg 44)
- 9" LOCKING SLIDE ARM – MONGOOSE (7160-0220) (pg 36)

Features/Benefits

- Vehicle specific console box attaches directly to the transmission hump (no need for separate leg kit)
- Low profile box design for emergency passenger side egress
- Removable top plate and center plate for easy radio installation and wire routing



Chevrolet Impala

RECOMMENDED SOLUTION:

- MCS VEHICLE LEG (7160-0121) (pg 48)
- MCS TOP PLATE (7160-0086) (pg 49)
- MCS LOW PROFILE CONSOLE BOX (MCS-LOWBOX) (pg 50)

Features/Benefits

- Mounted low and centered "Airbag Friendly" system with low profile mounting centered in vehicle
- Low profile box design sits flush or slightly below the seats, allowing ample space for an emergency passenger side exit
- Easy, no drill vehicle leg kits



Ford F-250 to F-750 Super Duty

RECOMMENDED SOLUTION:

- VEHICLE MCS LEG KIT (7160-0301) (pg 48)
- MCS TOP PLATE (7160-0085) (pg 49)
- MCS EPIC 13" CONSOLE BOX (MCS-EPIC-13) (pg 49)

Features/Benefits

- Rounded edges for sleek appearance & passenger safety
- Leg kit accommodates the Pole solution using threaded PEMS
- No drill vehicle leg kit



Chevrolet Tahoe

RECOMMENDED SOLUTION:

- VEHICLE SPECIFIC CONSOLE (7160-0434) (pg 41)
- 9" LOCKING SLIDE ARM – MONGOOSE (7160-0220) (pg 36)

Features/Benefits

- Vehicle specific console box attaches to the vehicle without the need of a top plate (leg kit included with console)
- Low profile box design for emergency passenger side egress
- Traction control can be relocated to the top of the console with supplied bracket



Chevrolet Caprice PPV (2014)

RECOMMENDED SOLUTION:

- VEHICLE SPECIFIC CONSOLE BOX (7160-0521-01) (pg 40)
- 6" LOCKING SLIDE ARM (7160-0500) (pg 34)

Features/Benefits

- Vehicle specific console box attaches to existing tunnel plate (no need for separate leg kit)
- Is designed to work with steering column shifter
- Low profile box design for emergency passenger side egress
- Allows for 1 full sized device in the vertical, angled section
- Two computer mounting positions on the top of the console



Dodge Charger

RECOMMENDED SOLUTION:

- VEHICLE SPECIFIC CONSOLE (7160-0327) (pg 43)
- FOUR MOTION ATTACHMENT (7160-0285) (pg 35)

Features/Benefits

- Vehicle specific console box attaches directly to the transmission hump (no need for separate leg kit)
- Low profile box design for emergency passenger side egress
- Removable top plate and center plate for easy radio installation and wire routing



Dodge Durango SSV

RECOMMENDED SOLUTION:

- VEHICLE SPECIFIC CONSOLE (7160-0445) (pg 42)

Features/Benefits

- Vehicle specific console box attaches directly to the transmission hump (no need for separate leg kit)
- Console box incorporates center shifter and differential mode switch
- Can be used with Vehicle Base for a computer solution

Mission Control System

2011-2013 Chevrolet Caprice Police Patrol Vehicle (PPV) Solutions Consoles

Item No.	Description	Seat Configuration	No. of Radios	Weight	Height	Width	Depth	Interior Depth (I)	Mounting Space (M)
7160-0378	Vehicle Specific Console only	Bucket	4 to 6 control head radios only (15" of mounting space)	18 lbs.	10.10"	14.01"	35.66"	15.0"	3.5"
7160-0379	Vehicle Specific Console with armrest and cupholder	Bucket	3 to 4 control head radios only (10.5" of mounting space)	24 lbs.	10.58"	14.01"	40.21"	10.5"	3.5"

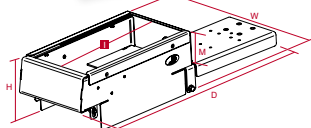
Features

- Heavy gauge steel, fully welded constructed for long-term durability
- Black powdercoat finish for maximum corrosion resistance
- Low profile no-drill vehicle specific console for the Chevrolet Caprice (9C1 only)
- 4 fasteners for mounting to transmission hump
- Horizontal low profile section accommodates 10.5" of mounting space (without internal cupholder 15" of mounting space)
- Console box will only accommodate radio control heads, not compatible with full radios
- Console box has a consistent mounting space height of 3.5"
- Computer can be center mounted in front of the console box (recommended solution is: **DS-LOWER-5**, **QADJ-UPPER-S5**, **7160-0284**, and **7160-0230**)
- Accessory Mounting Box (sold separately) can be mounted in front of the console in conjunction with a center computer mount and can hold an extra radio, pocket, or internal cupholder
- Brother PocketJet Printer mount (Item No. **7160-0126**, sold separately) can be mounted in front of the console but doesn't allow for a center computer mount option
- Will ship fully assembled (except for accessories)
- 3 Faceplates and 3 filler panels are included (pg. 56-63)
- Available as a Vehicle Kit (Item No. 7170-0145)

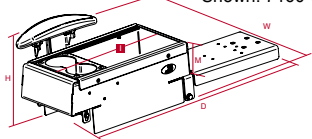
Note: Does not require a leg kit or top plate, bolts directly to the vehicle



Shown: 7160-0378



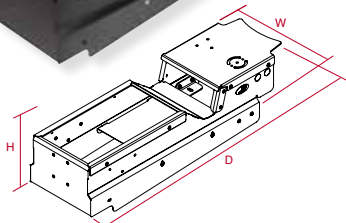
Shown: 7160-0379



NEW

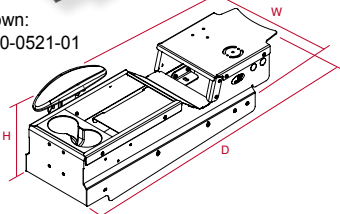


Shown:
7160-0521-00



NEW

Shown:
7160-0521-01



2014 Chevrolet Caprice (PPV) Solutions Consoles

Item No.	Description	Seat Configuration	No. of Radios	Weight	Height	Width	Depth
7160-0521-00	Vehicle Specific Console only	Bucket	1 full-sized device in the vertical section (3" of mounting space) 2 to 4 control head radios in the low profile horizontal section (7" of mounting space)	22.0 lb.	8.5"	9.75"	29.6"
7160-0521-01	Vehicle Specific Console with armrest and cupholder	Bucket	1 full-sized device in the vertical section (3" of mounting space) 4 to 6 control head radios in the low profile horizontal section (11.5" of mounting space)	24.5 lb.	8.5"	9.75"	29.6"

Features

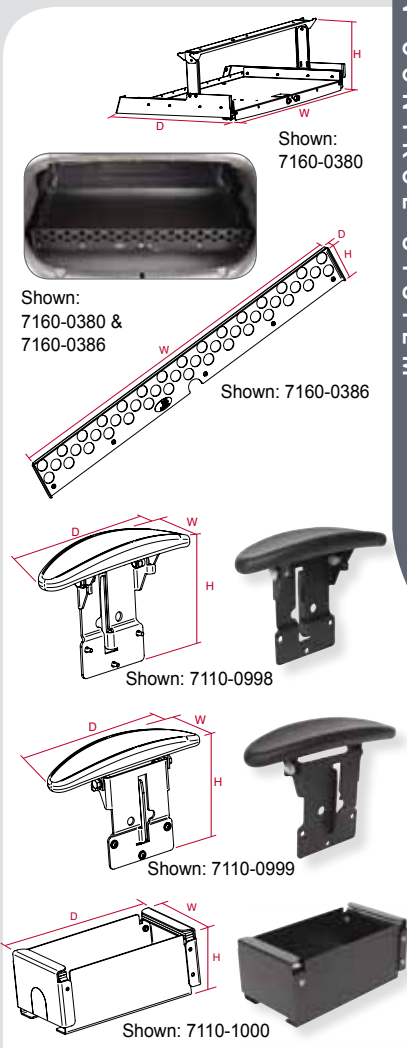
- Heavy gauge steel, fully welded construction for long-term durability
- Black powdercoat finish for maximum corrosion resistance
- Low profile no-drill vehicle specific console for the Chevy Caprice Police Patrol Vehicle (PPV)
- Attaches directly to the Chevy Caprice PPV without the need to order a separate top plate, four fasteners for mounting the console allow for easy installation
- Horizontal, low profile section accommodates 14.5" of mounting space without an internal cup holder (10.0" with an internal cup holder) and is designed to house radio control heads and accessories
- Horizontal, low profile section has a consistent mounting space height of 4.28"
- Vertical, angled section accommodates 3" of mounting space and is designed to house full sized devices
- Box will ship fully assembled (except for accessories)
- 3 Faceplates and 3 filler panels are included (pg. 56-63)
- Console box will only accommodate remote heads. It is not compatible with full radios
- Computer can be center mounted in two locations:
 - Off-set towards the passenger on the "smiley face pattern"
 - On the 3-bolt pattern closer to the driver for easy articulation access
- Available as a Vehicle Kit (Item No. 7170-0221)

Caprice Trunk Shelf (2011-2014)

Item No.	Description	Drilling Required	Weight	Height	Width	Depth
7160-0380	Trunk Shelf	Yes	43.0 lbs.	12.4"	43.0"	24.8"
7160-0386	Front rail for use with Trunk Shelf	No	3.8 lbs.	4.1"	36.9"	0.6"

Features

- Heavy gauge steel, fully welded constructed for long-term durability
- Black powdercoat finish for maximum corrosion resistance
- Full width trunk shelf for Chevrolet Caprice PPV (9C1 and 9C3)
- Push button activation for easy release
- Features magnetic stop when the trunk is extended (in the event of inclined parking)
- Allows access to batteries and the spare tire when the shelf is in the closed position
- Cable restraint holes included on the back of the tray
- Can be use with or without the Front Rail
- Has a hole pattern for mounting a computer platform (7160-0311 or 7160-0398)
- Available mounting space 36.0" W x 20.0" D



Caprice Vehicle Specific Accessories

Item No.	Description	Placement	Weight	Height	Width	Depth
7110-0998	Passenger Side Armrest	Attaches to the passenger side of any of the <i>Chevrolet Caprice Specific Console Boxes</i> (7160-0378, 7160-0379, 7160-0521-00 and 7160-0521-01)	2.5 lbs.	7.4"	3.3"	11.0"
7110-0999	Driver Side Armrest	Attaches to the passenger side of any of the <i>Chevrolet Caprice Specific Console Boxes</i> (7160-0378 and 7160-0521-00)	2.5 lbs.	7.4"	3.3"	11.0"
7110-1000	Accessory Mounting Box (works only with the 2011-2013 Chevrolet Caprice Console Box)	Attaches to the passenger side of the <i>2011-2013 Chevrolet Caprice Specific Console Boxes</i> (7160-0378 and 7160-0379)	2.6 lbs.	3.8"	4.9"	9.2"

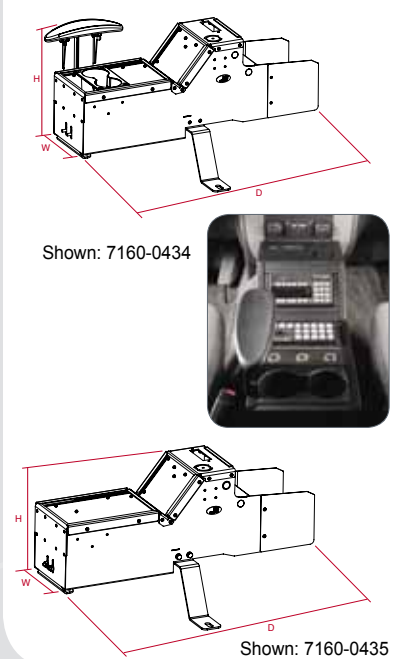
2007-2014 Chevrolet Tahoe (PPV and SSV) Solutions Consoles

Item No.	Description	Seat Configuration	No. of Radios	Weight	Height	Width	Depth
7160-0434	Vehicle Specific Console with armrest and cupholder	Bucket	1 to 2 full-sized radios in the vertical section (6" of mounting space) 2 to 4 control head radios in the low profile horizontal section (7" of mounting space)	27.5 lbs.	14.8"	9.3"	33.6"
7160-0435	Vehicle Specific Console only	Bucket	1 to 2 full-sized radios in the vertical section (6" of mounting space) 4 to 6 control head radios in the low profile horizontal section (11.5" of mounting space)	21.5 lbs.	12.4"	9.3"	33.6"

Features

- Heavy gauge steel, fully welded construction for long-term durability
- Black powdercoat finish for maximum corrosion resistance
- Low profile no-drill vehicle specific console for the Chevy Tahoe (PPV and SSV vehicles)
- Attaches to the Chevy Tahoe without the need to order a separate top plate. Leg kit is provided with the console box.
- Vertical, angled section accommodates 6" of mounting space and is designed to house two full sized radios
- Horizontal, low profile section accommodates 7.0" of mounting space (11.5" without an internal cup holder) and is designed to house radio control heads and accessories
- Horizontal, low profile section has a consistent mounting space height of 8.01"
- Traction Control can be relocated to the top of the console box with the included bracket
- Two 12 volt plug inserts (located on passenger side), one 12 volt cigarette adapter kit included with box
- Removable side wings and top mounting plate can be removed for easy access to wiring
- Box will ship fully assembled (except for wings and accessories)
- Computer can be mounted in the off set position on the smiley face pattern located on the top of the console (accommodates any *Universal Display Bracket Mount* or any Gamber-Johnson **Motion Attachment** ordered separately)
- 3 Faceplates and 3 filler panels are included (pg. 56-63)
- Available as a Vehicle Kit (Item No. 7170-0222)

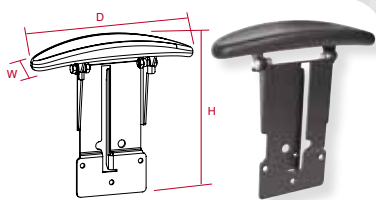
Note: Does not require a top plate. A leg kit comes with the console box to attached vehicle.



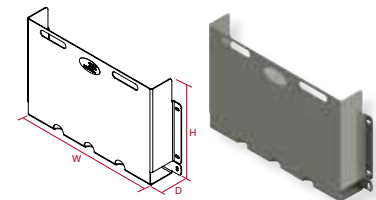
Mission Control System

Tahoe Vehicle Specific Accessories

Item No.	Description	Placement	Weight	Height	Width	Depth
7110-1012	Passenger Side Armrest	Attaches to the passenger side of the <i>Chevrolet Tahoe Specific Console Boxes (7160-0434 and 7160-0435)</i>	3.0 lbs.	10.4"	3.3"	11.0"
7110-1013	Driver Side Armrest	Attaches to the driver side of the <i>Chevrolet Tahoe Specific Console Boxes (7160-0435)</i> . Armrest already included in Item No. 7160-0434.	3.0 lbs.	10.4"	3.3"	11.0"
7160-0464	Side Accessory Mounting Box	Attaches to the passenger side of the horizontal section of the console box of the <i>Chevrolet Tahoe Specific Console Boxes (7160-0434 and 7160-0435)</i>	2.75 lbs.	8.14"	12.12"	2.2"



Shown: 7110-1012



Shown: 7160-0464

2012-2013 Dodge Durango (SSV) Solutions Consoles

Item No.	Description	Seat Configuration	No. of Radios	Weight	Height	Width	Depth
7160-0445	Vehicle Specific Console with armrest and cupholder	Bucket	1 to 2 full-sized radios in the vertical section (6" of mounting space) 1 to 2 control head radios in the low profile horizontal section (4" of mounting space)	24 lbs.	15.4"	13.3"	41.8"
7160-0446	Vehicle Specific Console only	Bucket	1 to 2 full-sized radios in the vertical section (6" of mounting space) 2 to 4 control head radios in the low profile horizontal section (8.5" of mounting space)	20 lbs.	11.1"	13.3"	37.8"

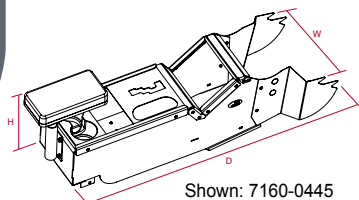
Features

- Heavy gauge steel, fully welded constructed for long-term durability
- Black powdercoat finish for maximum corrosion resistance
- Low profile no-drill vehicle specific console, for Dodge Durango (SSV vehicle only)
- Vertical angled section accommodates 6" of mounting space
- Horizontal low profile section accommodates 4" of mounting space (without internal cupholder 8.5" of mounting space)
- Removable top plate and center brace can be removed for easy access to wiring
- Horizontal, low profile section has a consistent mounting space height of 6.16"
- Includes a shifter gate plate with cutouts for the center console shifter and differential mode switch/OEM pocket
- Ships with dash filler panels that gives the box a sleek appearance that blends in with the car's aesthetics
- Fully welded construction for long-term product life span
- Threaded pems provided for mounting armrest to the console
- Two knockouts for 12 volt plug inserts (located on passenger side)
- Will ship fully assembled (except for wings and accessories)
- 3 Faceplates and 3 filler panels are included (pg. 56-63)

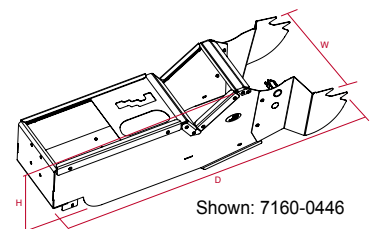
Note: Does not require a leg kit or top plate, bolts directly to the vehicle

Durango Vehicle Specific Accessories

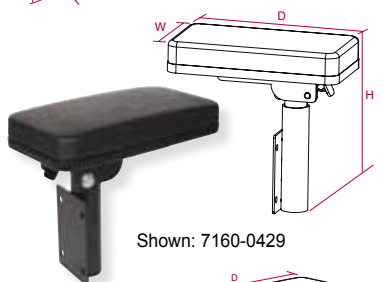
Item No.	Description	Placement	Weight	Height	Width	Depth
7160-0429	Exterior Armrest	Attaches to the treaded pems on the outside back panel of any <i>Gamber-Johnson Dodge Durango Specific Console Box</i>	6.10 lbs.	10.25"	5.25"	10.0"
7160-0430	Exterior Brother Printer Armrest	Attaches to the treaded pems on the outside back panel of any <i>Gamber-Johnson Dodge Durango Specific Console Box</i>	11.50 lbs.	14.0"	5.25"	11.6"
7160-0524	Exterior Break Away Armrest	Attaches to the treaded pems on the outside back panel of any <i>Gamber-Johnson Dodge Durango Specific Console Box</i>	6.50 lbs.	10.25"	5.25"	10.0"



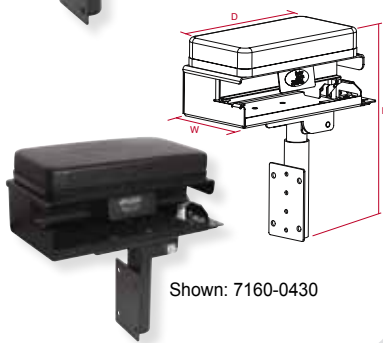
Shown: 7160-0445



Shown: 7160-0446



Shown: 7160-0429



Shown: 7160-0430

2011-2014 Dodge Charger Police Package Solutions Consoles

Item No.	Description	Seat Configuration	No. of Radios	Weight	Height	Width	Depth
7160-0326	Full Sized Vehicle Specific Console only	Bucket	1 to 2 full-sized radios in the vertical section (6" of mounting space) 4 to 6 control head radios in the low profile horizontal section (13.5" of mounting space)	18 lbs.	10.10"	14.01"	35.66"
7160-0327	Full Sized Vehicle Specific Console with armrest & cupholder	Bucket	1 to 2 full-sized radios in the vertical section (6" of mounting space) 2 to 4 control head radios in the low profile horizontal section (9" of mounting space)	24 lbs.	10.58"	14.01"	40.21"
7160-0353	Short Vehicle Specific Console only	Bucket	1 to 2 full-sized radios in the vertical section (6" of mounting space) 3 to 4 control head radios in the low profile horizontal section (10.5" of mounting space)	17.5 lbs.	10.10"	14.01"	32.6"
7160-0354	Short Vehicle Specific Console with armrest and cupholder	Bucket	1 to 2 full-sized radios in the vertical section (6" of mounting space) 1 to 2 control head radios in the low profile horizontal section (6" of mounting space)	23.5 lbs.	10.58"	14.01"	37.2"

Common Features

- Heavy gauge steel, fully welded constructed for long-term durability
- Black powdercoat finish for maximum corrosion resistance
- Low profile no-drill vehicle specific console
- 6 fasteners for mounting to transmission hump
- Removable top plate and center brace
- Fully welded construction for long term product life span
- Threaded pems provided for mounting armrest to the console
- Ships with molded IP filler panels (no unsightly hardware – threaded pem studs)
- 12 volt plug inserts (located rear and passenger side)
- USB and 1/8" MP3 Input (located passenger side)
- Computer and be mounted in the center or offset on the smiley face pattern located on the top of the console (accommodates any *Universal Display Bracket Mount* (pg. 79-81) or any *Gamber-Johnson Motion Attachment* (pg. 32-37) ordered separately)
- Will ship fully assembled (wings need to be mounted on-site)
- 3 Faceplates and 3 filler panels are included (pg. 56-63)

Note: Does not require a leg kit or top plate, bolts directly to the vehicle

Full Sized Console Box Features

- Vertical angled section accommodates 6" of mounting space
- Horizontal, low profile section accommodates 9" of mounting space (without internal cupholder 13.5" of mounting space)
- Horizontal, low profile section has a mounting space height range of 3.6" to 5.67"
- Available as a Vehicle Kit (Item No. 7170-0137)

Short Console Box Features

- Shorter box allows for more room when mounting weapons on the prisoner cage
- Vertical angled section accommodates 6" of mounting space
- Horizontal, low profile section accommodates 6" of mounting space (without internal cupholder 10.5" of mounting space)
- Horizontal, low profile section has a mounting space height range of 3.6" to 5.67"

Charger Trunk Shelf

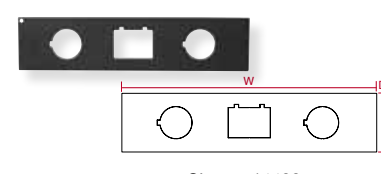
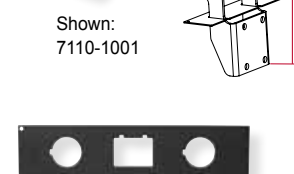
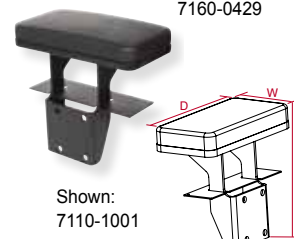
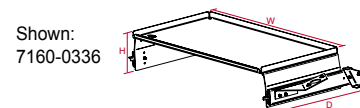
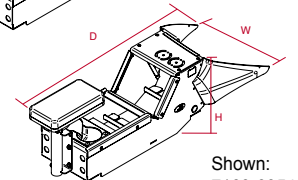
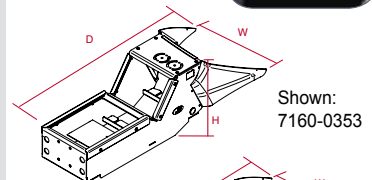
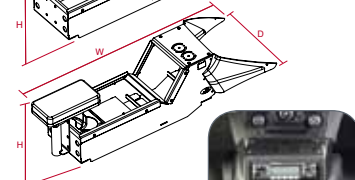
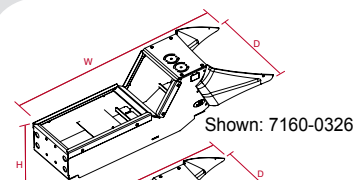
Item No.	Description	Drilling Required	Weight	Height	Width	Depth
7160-0336	Upper Shelf	No	18.0 lbs.	10.10"	14.01"	35.66"

Upper Shelf Features

- Strong, lightweight aluminum alloy and rugged construction for long-term durability
- Upper tray slides on heavy-duty ball bearing slides and can latch securely in the closed and open position
- Available mounting space 37.75" W x 18.5" D

Charger Vehicle Specific Accessories

Item No.	Description	Placement	Weight	Height	Width	Depth
7160-0429	Exterior Armrest	Attaches to the treaded pems on the outside back panel of any <i>Gamber-Johnson Dodge Charger Specific Console Box</i>	6.1 lbs.	10.25"	5.25"	10.0"
7110-1001	Interior Armrest	Attaches to the treaded pems on the inside back panel of any <i>Gamber-Johnson Dodge Charger Specific Console Box</i>	6.3 lbs.	9.25"	5.25"	10.0"
14422	Filler Panel to re-locate USB/ Phone Jack and 12 volt adapter plugs into console box	In any of <i>Gamber-Johnson Dodge Charger Specific Console Boxes</i>	.40 lbs.	3.0"	8.7"	0.075"

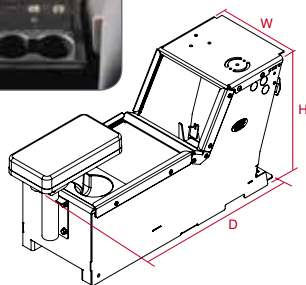
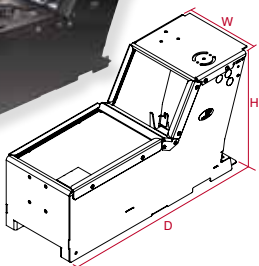
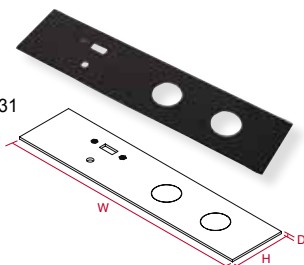


Mission Control System

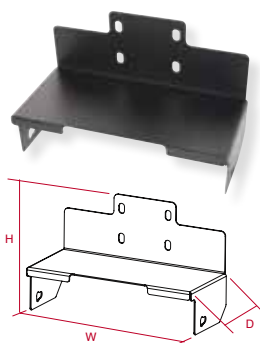
2012-2014 Ford Utility Police Interceptor Solutions Consoles



Shown: 7160-0411

Shown:
7160-0412Shown:
7160-0431

Shown: 7120-0579

Shown:
7160-0444

Item No.	Description	Seat Configuration	No. of Radios	Weight	Height	Width	Depth
7160-0411	Vehicle Specific Console with armrest and cupholder	Bucket	1 to 2 full-sized radios in the vertical section (6" of mounting space) 2 to 4 control head radios in the low profile horizontal section (7" of mounting space)	26.00 lbs.	13.5"	9.2"	29.4"
7160-0412	Vehicle Specific Console only	Bucket	1 to 2 full-sized radios in the vertical section (6" of mounting space) 4 to 6 control head radios in the low profile horizontal section (11.5" of mounting space)	20.00 lbs.	13.5"	9.2"	25.5"

Features

- Heavy gauge steel, fully welded constructed for long-term durability
- Black powdercoat finish for maximum corrosion resistance
- Low profile no-drill vehicle specific console
- Vertical angled section accommodates 6" of mounting space
- Horizontal, low profile section accommodates 7" of mounting space (without internal cupholder 11.5" of mounting space)
- Horizontal, low profile section has a mounting space height range of 6.15" to 8.46"
- 6 fasteners for mounting to transmission hump
- Removable top plate and center brace
- Fully welded construction for long-term product life span
- Threaded pems provided for mounting armrest to the console
- 12 volt plug insert (located on passenger side)
- Computer can be mounted in the off set position on the smiley face pattern located on the top of the console (accommodates any Universal Display Bracket Mount or any Gamber-Johnson Motion Attachment ordered separately)
- Will ship fully assembled
- 3 Faceplates and 3 filler panels are included (pg. 56-63)
- Available as a Vehicle Kit (Item No. 7170-0166)

Note: Does not require a leg kit or top plate, bolts directly to the vehicle

Utility Vehicle Specific Accessories

Item No.	Description	Placement	Weight	Height	Width	Depth
7160-0431	Filler Panel to re-locate USB/Audio/12 volt adapter plugs into console box	In any of <i>Gamber-Johnson Ford Utility Specific Console Boxes</i>	0.30 lbs.	2.0"	8.69"	0.75"
7120-0579	USB/Audio Relocation Cable Kit	Relocate the USB and 3.5mm Audio Input to the passenger side of any <i>Gamber-Johnson Ford Utility Police Interceptor Specific Console Box</i>	NA	NA	NA	NA

Utility Wiring Cover Plate

Item No.	Description	Weight	Height	Width	Depth
7160-0444	Wiring Cover Plate used when wiring is done at the Ford factory	6.10 lbs.	10.25"	5.25"	10.0"

Features

- Heavy gauge steel, fully welded constructed for long-term durability
- Black powdercoat finish for maximum corrosion resistance
- Plate protects the wiring between the Gamber-Johnson Vehicle Specific Console Box and the Ford Rear Console Plate
- The Rear Console Plate comes from the factory when you order the vehicle and the wiring is already complete. The packages that have the Rear Console Plate from Ford are:
 - Cargo Wiring Upfit Package for Utility (67G)
 - Ready-for-the-Road Package for Utility (67H)
- Works with Console Boxes (Item No. 7160-0411, 7160-0412)

Note: You don't need this item if you order your vehicle with Do-It-Yourself Wiring.

2012-2014 Ford Sedan Police Interceptor Solutions Consoles

Item No.	Description	Seat Configuration	No. of Radios	Weight	Height	Width	Depth
7160-0409	Vehicle Specific Console with armrest and cupholder	Bucket	1 to 2 full-sized radios in the vertical section (6" of mounting space) 2 to 4 control head radios in the low profile horizontal section (7" of mounting space)	24.00 lbs.	11.5"	9"	30.8"
7160-0410	Vehicle Specific Console only	Bucket	1 to 2 full-sized radios in the vertical section (6" of mounting space) 4 to 6 control head radios in the low profile horizontal section (11.5" of mounting space)	18.00 lbs.	11.5"	9"	27"

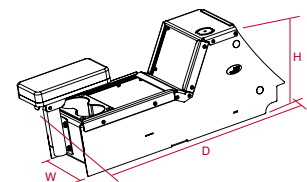
Features

- Heavy gauge steel, fully welded constructed for long-term durability
- Black powdercoat finish for maximum corrosion resistance
- Low profile no-drill vehicle specific console
- Vertical angled section accommodates 6" of mounting space
- Horizontal low profile section accommodates 7" of mounting space (without internal cupholder 11.5" of mounting space)
- Horizontal, low profile section has a mounting space height range of 4.13" to 6.56"
- 6 fasteners for mounting to transmission hump
- Removable top plate and center brace
- Fully welded construction for long term product life span
- Threaded pems provided for mounting armrest to the console
- 12 volt plug insert (located on passenger side)
- Computer can be mounted in the off set position on the smiley face pattern located on the top of the console (accommodates any *Universal Display Bracket Mount* or any *Gamber-Johnson Motion Attachment* ordered separately)
- Will ship fully assembled
- 3 Faceplates and 3 filler panels are included (pg. 56-63)
- Available as a Vehicle Kit (Item No. 7170-0165)

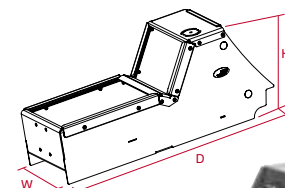
Note: Does not require a leg kit or top plate, bolts directly to the vehicle

Utility and Sedan Vehicle Specific Armrests

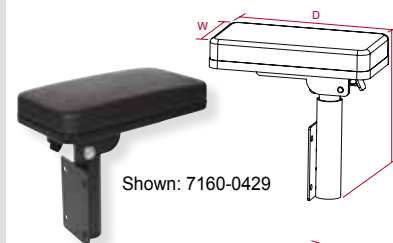
Item No.	Description	Placement	Weight	Height	Width	Depth
7160-0429	Exterior Armrest	Attaches to the treaded pems on the outside back panel of only <i>Gamber-Johnson Vehicle Specific Console Ford Sedan Interceptor Console Box and Ford Utility Police Interceptor Console Box</i>	6.10 lbs.	10.25"	5.25"	10.0"
7160-0430	Exterior Brother Printer Armrest	Attaches to the treaded pems on the outside back panel of only <i>Gamber-Johnson Vehicle Specific Console Ford Sedan Interceptor Console Box and Ford Utility Police Interceptor Console Box</i>	11.50 lbs.	14.0"	5.25"	11.6"
7110-1001	Interior Armrest	Attaches to the treaded pems on the inside back panel of any <i>Gamber-Johnson Ford Sedan Police Interceptor Specific Console Box and Ford Utility Police Interceptor Console Box</i>	6.30 lbs.	9.25"	5.25"	10.0"
7160-0524	Exterior Break Away Armrest	Attaches to the treaded pems on the outside back panel of any <i>Gamber-Johnson Vehicle Specific Console Ford Sedan Interceptor Console Box and Ford Utility Police Interceptor Console Box</i>	6.50 lbs.	10.25"	5.25"	10.0"



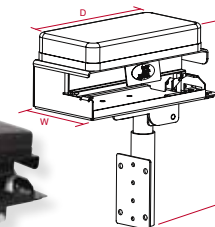
Shown: 7160-0409



Shown: 7160-0410



Shown: 7160-0429



Shown: 7160-0430



Shown: 7110-1001



Shown: 7160-0524



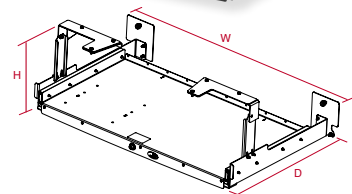
Mission Control System

Sedan Trunk Shelf

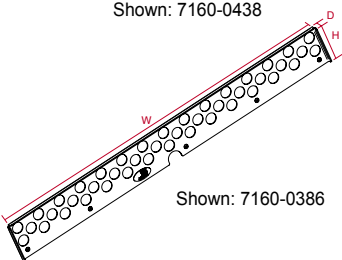
Item No.	Description	Drilling Required	Weight	Height	Width	Depth
7160-0438	Trunk Shelf	Yes	47.0 lbs.	13.6"	41.9"	24.6"
7160-0386	Front rail for use with Trunk Shelf	No	3.8 lbs.	4.1"	36.9"	0.6"

Features

- Heavy gauge steel, fully welded constructed for long-term durability
- Black powdercoat finish for maximum corrosion resistance
- Full width trunk shelf for Ford Sedan Police Interceptor
- Push button activation for easy release
- Features magnetic stop when the trunk is extended (in the event of inclined parking)
- Access to batteries and the spare tire with the trunk is in the closed position
- Cable restraint holes included on the back of the tray
- Trunk Shelf is rated for 125 lbs.
- Hole patterns for accessories (sold separately):
 - Front Rail (Item No. 7160-0386)
 - Tall Computer Mounting Platform (Item No. 7160-0311)
 - Computer Mounting Platform (Item No. 7160-0398)
- Available mounting space 35.5" W x 20.25" D



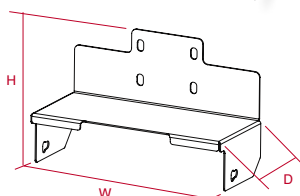
Shown: 7160-0438



Shown: 7160-0386



Shown: 7160-0444



Sedan Wiring Cover Plate

Item No.	Description	Weight	Height	Width	Depth
7160-0444	Wiring Cover Plate used when wiring is done at the Ford factory	6.1 lbs.	10.25"	5.25"	10.0"

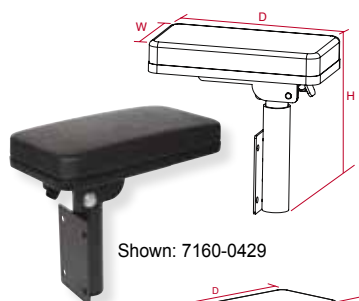
Features

- Heavy gauge steel, fully welded constructed for long-term durability
- Black powdercoat finish for maximum corrosion resistance
- Plate protects the wiring between the Gamber-Johnson Vehicle Specific Console Box and the Ford Rear Console Plate
- The Rear Console Plate comes from the factory when you order the vehicle and the wiring is already complete. The packages that have the Rear Console Plate from Ford are:
 - Trunk Upfit Package for Sedan (854)
 - Light Controller Package for Sedan (855)
 - Ready-for-the-Road Package for Sedan (856)
- Works with Console Boxes (Item No. 7160-0409, 7160-0410)

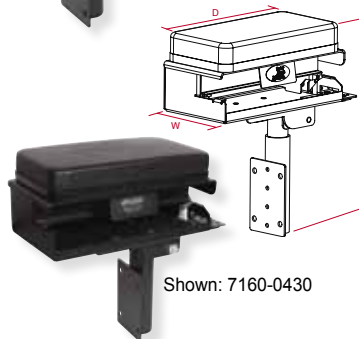
Note: You don't need this item if you order your vehicle with Do-It-Yourself Wiring.

All Vehicle Specific Armrests

Item No.	Description	Placement	Weight	Height	Width	Depth
7160-0429	Exterior Armrest	Attaches to the treaded pems on the outside back panel of the following <i>Gamber-Johnson Vehicle Specific Console Boxes</i> : 2014 Chevrolet Caprice PPV Console Box, 2007-2014 Chevrolet Tahoe Console, 2012-2014 Dodge Durango Console Box, 2011-2014 Dodge Charger Console Box, 2012-2014 Ford Sedan Interceptor Console Box, 2012-2014 Ford Utility Interceptor Console Box	6.10 lbs.	10.25"	5.25"	10.0"
7160-0430	Exterior Brother Printer Armrest	Attaches to the treaded pems on the outside back panel of the following <i>Gamber-Johnson Vehicle Specific Console Boxes</i> : 2014 Chevrolet Caprice PPV Console Box, 2007-2014 Chevrolet Tahoe Console, 2012-2014 Dodge Durango Console Box, 2011-2014 Dodge Charger Console Box, 2012-2014 Ford Sedan Interceptor Console Box, 2012-2014 Ford Utility Interceptor Console Box	11.50 lbs.	14.0"	5.25"	11.6"
7160-0524	Exterior Break Away Armrest	Attaches to the treaded pems on the outside back panel of the following <i>Gamber-Johnson Vehicle Specific Console Boxes</i> : 2014 Chevrolet Caprice PPV Console Box, 2007-2014 Chevrolet Tahoe Console, 2012-2014 Dodge Durango Console Box, 2011-2014 Dodge Charger Console Box, 2012-2014 Ford Sedan Interceptor Console Box, 2012-2014 Ford Utility Interceptor Console Box	6.50 lbs.	10.25"	5.25"	10.0"



Shown: 7160-0429



Shown: 7160-0430

MAX³ Visor Camera Mount

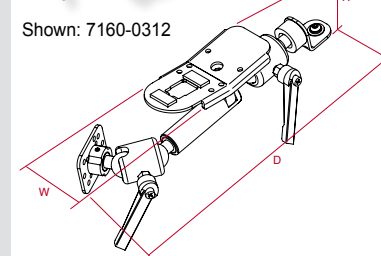
Item No.	Description	Drilling Required	Weight	Height	Width	Depth
7160-0312	Camera/Display bracket mounted using the passenger side visor retainer	Yes - Attaches to the existing passenger side visor retainer, recommended to use self tapping screws for additional stability	2.8 lbs.	2.37"	2.56"	12.48"
7160-0325	Camera bracket mounted using the passenger side visor retainer	Yes - Attaches to the existing passenger side visor retainer, recommended to use self tapping screws for additional stability	1.3 lbs.	2.37"	2.56"	9.37"
7160-0448	Camera/Display bracket mounted using the passenger side visor retainer for Chevrolet Caprice PPV vehicle only	Yes - Attaches to the existing passenger side visor retainer Chevrolet Caprice PPV , recommended to use self tapping screws for additional stability	2.8 lbs.	2.37"	2.56"	12.73"
7160-0449	Camera bracket mounted using the passenger side visor retainer for Chevrolet Caprice PPV vehicle only	Yes - Attaches to the existing passenger side visor retainer Chevrolet Caprice PPV , recommended to use self tapping screws for additional stability	1.3 lbs.	2.37"	2.56"	9.37"

Features

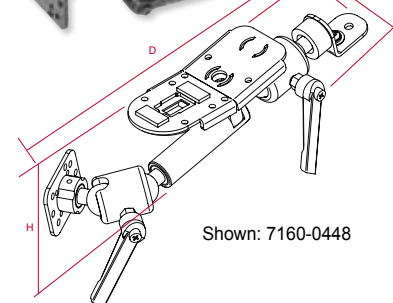
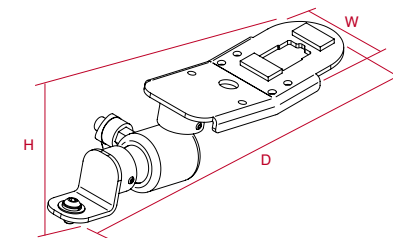
- Utilizes 2 MAX³ knuckles for X, Y, Z axis
- Will support cameras and/or displays up to three pounds
- Passed shock and vibe testing to MIL STD 810 G
- Display extension allows for use of passenger side visor (if extension is not used the visor will remain in the stowed position)
- Display hole pattern supports VESA and AMPS mounting (see pg. 4 for hole pattern definitions)
- 1 year limited warranty



Shown: 7160-0312



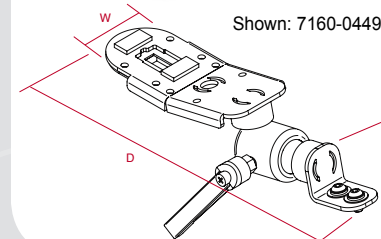
Shown: 7160-0325



Shown: 7160-0448

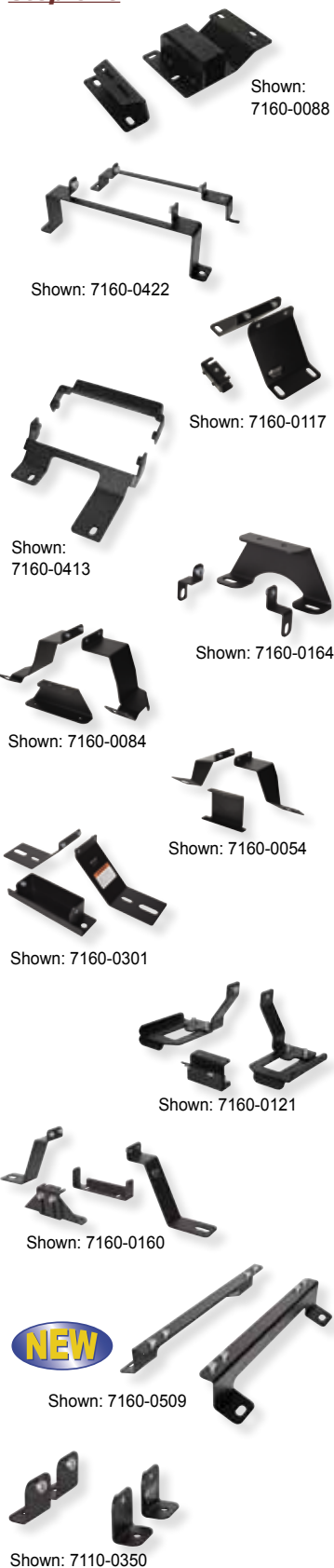


Shown: 7160-0449



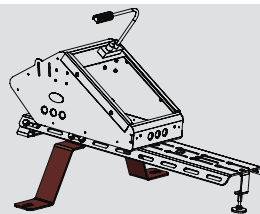
Mission Control System

Step One



Step One:

Select the MCS Leg Kit for your type of vehicle.

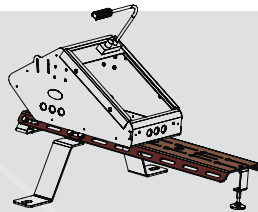


MCS Vehicle Leg Kits

Item No.	Placement	Seat Configuration	Drilling Required	Weight
7160-0088	On top of the transmission hump	Bucket	No - attaches to the existing studs on top of the transmission hump: <i>Dodge Charger (2006-2014)</i> <i>Dodge Magnum (2006-2008)</i>	4.6 lbs.
7160-0422	On top of the transmission hump	Bucket	No - attaches to the existing studs on top of the transmission hump: <i>Ram 1500-5500 Retail Models (2011-2014)</i> <i>Ram 1500-5500 SSV Models (2012-2014)</i>	7.2 lbs.
7160-0117	On both sides of the transmission hump	Bucket	No - attaches to the seat studs: <i>Ford Crown Victoria/Police Interceptor (1991-2011)</i>	4.6 lbs.
7160-0413	On top of the transmission hump	Bucket	No - attaches to the existing studs on top of the transmission hump: <i>Ford Sedan Police Interceptor (2012-2014)</i> <i>Ford Utility Police Interceptor (2012-2014)</i>	1.8 lbs.
7160-0164	On top of the transmission hump	Bucket	No - Requires removal of the center seat and attaches to the seat mounting points: <i>Ford F-150 (2009-2014)</i>	4.0 lbs.
7160-0084	On both sides of the transmission hump	Bucket	No - attaches to the inboard seat bolts of the driver and passenger seat: <i>Ford Expedition (2007-2014)</i>	9.91 lbs.
7160-0054	On both sides of the transmission hump	Bucket	No - attaches to the seat studs: <i>Ford Excursion (2000-2005)</i> <i>Ford F-250 to F-750 Super Duty (1999-2010)</i>	9.0 lbs.
7160-0301	On top of transmission hump	Bucket	No - attaches to inboard driver and passenger side seat studs: <i>Ford F-250 to F-750 Super Duty (2011-2014)</i>	12.0 lbs.
7160-0121	On both sides of the transmission hump	Bucket	Yes - drilling is required for the rear only, front legs attach to seat studs: <i>Chevrolet Impala (2006-2013)</i>	4.5 lbs.
7160-0160	On both sides of the transmission hump	Bucket	No - Requires removal of the center console & attaches to console mounting points: <i>Chevrolet 1500/2500/3500 C/K (2007-2009)</i> <i>Chevrolet Avalanche (2007-2013)</i> <i>Chevrolet Silverado 1500 (2007-2013)</i> <i>Chevrolet Silverado 2500/3500 (2007-2014)</i> <i>Chevrolet Suburban (2007-2014)</i> <i>Chevrolet Tahoe (2007-2014)</i> <i>GMC Sierra 1500 (2007-2013)</i> <i>GMC Sierra 2500/3500 (2007-2014)</i> <i>GMC Yukon/Yukon XL (2007-2014)</i>	3.8 lbs.
7160-0509	On top of the transmission hump	Bucket	No - attaches to the existing studs on top of the transmission hump: <i>Chevrolet Silverado 1500 (2014)</i> <i>Chevrolet Silverado 2500/3500 (2015)</i> <i>Chevrolet Tahoe (2015)</i> <i>GMC Sierra 1500 (2014)</i> <i>GMC Sierra 2500/3500 (2015)</i> <i>GMC Yukon (2015)</i>	2.0 lbs.
7110-0350	On both sides of the transmission hump	Bucket	Yes - drilling is required: <i>Universal - All Vehicles</i>	1.2 lbs.

Step Two:

Select the *MCS Top Plate* that best fits your equipment needs. Keep in mind the number of radios you will need to mount and any accessories (armrest, cupholders, etc...).



MCS Top Plates

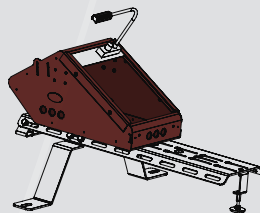
Item No.	Description	Placement	Seat Configuration	Drilling Required	Weight	Width	Depth
7160-0086	Short MCS Top Plate	Any <i>MCS Vehicle Leg</i>	Bucket	No - <i>MCS Vehicle Legs</i> attach to pre-drilled holes alongside <i>MCS Top Plate</i>	9.9 lbs.	8.0"	23.0"
7160-0085	Long MCS Top Plate	Any <i>MCS Vehicle Leg</i>	Bucket	No - <i>MCS Vehicle Legs</i> attach to pre-drilled holes alongside <i>MCS Top Plate</i>	12.4 lbs.	8.0"	29.0"

Features:

- Heavy gauge steel construction for long-term durability
- Black powdercoat finish for maximum corrosion resistance
- Wider design allows the console box to be offset towards the passenger for added space
- Wider plate adds additional space to mount additional accessories
- Provides three (3) options for computer mount placement (offset towards driver, center or offset towards passenger side)
- Fills up space between the seats giving a cleaner appearance

Step Three:

Select the *MCS Console Box* that best fits your equipment needs.



EPIC Console Boxes

Item No.	Placement	Seat Configuration	Drilling Required	No. of Radios	Weight	Exterior Height	Exterior Width	Exterior Depth	Interior Depth
MCS-EPIC9	On any <i>MCS Top Plate</i> (Item No. 7160-0086 or 7160-0085)	Bucket	No	2 to 4	8.8 lbs.	7.5" to 11.5"	9.0"	9.0"	7.0"
MCS-EPIC13	On any <i>MCS Top Plate</i> (Item No. 7160-0086 or 7160-0085)	Bucket	No	4 to 6	12.1 lbs.	8.75" to 12.0"	9.0"	13.0"	11.0"
MCS-EPIC17	On any <i>MCS Top Plate</i> (Item No. 7160-0086 or 7160-0085)	Bucket	No	6 to 8	15.0 lbs.	8.75" to 12.0"	9.0"	17.0"	15.0"

Features

- Heavy gauge steel construction for long-term durability
- Black powdercoat finish for maximum corrosion resistance
- Rounded-edges for sleek appearance and passenger safety
- Two-piece flexible design allows for 36 ht/angle combinations (18 ht/angle combination for Item No. MCS-EPIC9)
- 12 knockout panels and multiple cutouts for cigarette adapters (10 knockout panels in Item No. MCS-EPIC9)
- Cutout pattern for light mount on each side
- Large cutout holes in bottom and on both sides for wiring access
- Pre-drilled sidewall & bottom slots for convenient mounting; Mounting holes align with many competitive top plates
- 2 Faceplates and 2 filler panels are included with MCS-EPIC 9 (pg. 56-63)
- 3 Faceplates and 3 filler panels are included with MCS-EPIC 13 and MCS-EPIC 17 (pg. 56-63)

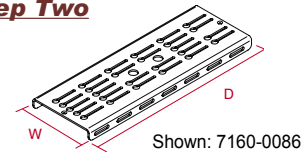
Ergonomic Console Box

Item No.	Placement	Seat Configuration	Drilling Required	No. of Radios	Weight	Height	Width	Depth	Interior Depth
MCS-ERGOBOX12	On any <i>MCS Top Plate</i> (Item No. 7160-0086 or 7160-0085)	Bucket	No	3 to 5 (10" of radio space)	10.0 lbs.	9.5"	9.0"	13.0"	10.91"

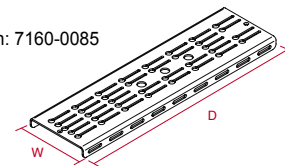
Features

- Heavy gauge steel construction for increased stability and long-term durability
- Black powdercoat finish for maximum corrosion resistance
- Rounded-edges for sleek appearance and passenger safety
- May be mounted towards the dash of any vehicle creating added space between the seats for other equipment or easier passenger side exit
- Enclosed design enables communication equipment to be stored securely and safely
- Available *Computer Mounting Bracket* (Item No. MCS-COMBRKT) for added versatility
- Mounting holes align with many competitive top plates
- 3 Faceplates and 3 filler panels are included (pg. 56-63)

Step Two



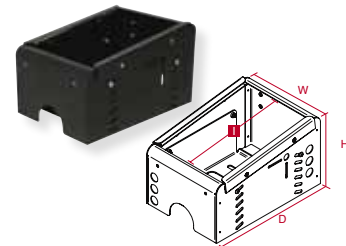
Shown: 7160-0085



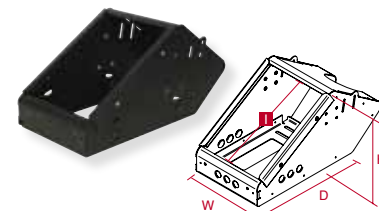
Step Three



Shown: MCS-EPIC13



Shown: MCS-ERGOBOX12



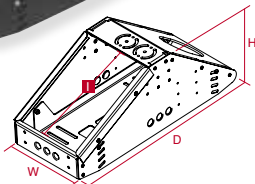
Mission Control System

Low Profile Ergonomic Console Box

Item No.	Placement	Seat Configuration	Drilling Required	No. of Radios	Weight	Height	Width	Depth	Interior Depth
7160-0237	On any MCS Top Plate (Item No. 7160-0086 or 7160-0085)	Bucket	No	3 to 5 (10" of radio mounting space)	17.75 lbs	8.5"	8.75"	21.76"	10.98"

Features

- Ergonomically designed console box that provides two mounting positions for motion devices on the top of the console box
- Reduced height allows the console to be positioned closer to the dash
- Top plate can be removed during installation for better access to electronics
- Large cutout on top plate allows for easy access to wiring
- Two piece flexible design allows for many height and angle combinations
- 9 Knockout panels for cigarette adapters
- Large cutout holes on bottom for wiring access
- Pre-drilled sidewall & bottom slots for convenient mounting
- Pre-drilled holes for use with any Gamber-Johnson cup holder
- Heavy gauge steel construction for long term durability
- Black powder coat finish for maximum corrosion resistance
- Rounded edges for sleek appearance
- 3 Faceplates and 3 filler panels are included (pg. 56-63)



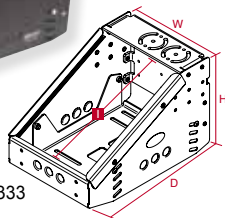
Shown: 7160-0237

13" Low Profile Ergonomic Console Box

Item No.	Placement	Seat Configuration	Drilling Required	No. of Radios	Weight	Height	Width	Width	Interior Depth
7160-0333	On any MCS Top Plate (Item No. 7160-0086 or 7160-0085)	Bucket	No	3 to 5	17.75 lbs.	8.5"	9.06"	13.33"	10.66"

Features

- Ergonomically designed console box that provides two mounting positions for motion devices on the top of the console box
- Reduced height allows the console to be positioned closer to the dash
- Top plate can be removed during installation for better access to electronics
- Two piece flexible design allows for many height and angle combinations
- 9 Knockout panels for cigarette adapters
- Large cutout holes on bottom for wiring access
- Pre-drilled sidewall & bottom slots for convenient mounting
- Pre-drilled holes for use with any Gamber-Johnson cup holder
- Heavy gauge steel construction for long term durability
- Black powder coat finish for maximum corrosion resistance
- Rounded edges for sleek appearance
- 3 Faceplates and 3 filler panels are included (pg. 56-63)



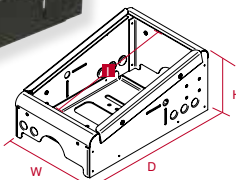
Shown: 7160-0333

Low Profile Console Box

Item No.	Placement	Seat Configuration	Drilling Required	No. of Radios	Weight	Height	Width	Depth	Interior Depth
MCS-LOWBOX	On any MCS Top Plate (Item No. 7160-0086 or 7160-0085)	Bucket	No	4 to 5 (12" of control head mounting space)	12 lbs.	4" (low end) to 6" (high end)	9.0"	14.0"	12.1"

Features

- Heavy gauge steel construction for increased stability and long-term durability
- Black powdercoat finish for maximum corrosion resistance
- May be mounted towards the dash of any vehicle creating added space between the seats for other equipment
- Low-profile design sits flush or slightly below the seats allowing ample space for an emergency passenger side exit
- Enclosed design enables communication equipment to be stored securely and safely
- Available *Computer Mounting Bracket* (Item No. MCS-COMBRKT) for added versatility
- Mounting holes align with many competitive top plates
- 3 Faceplates and 3 filler panels are included (pg. 56-63)



Shown: MCS-LOWBOX

Extension Box

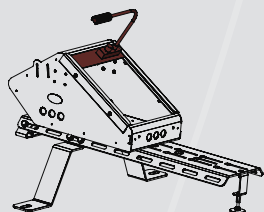
Item No.	Placement	Seat Configuration	Drilling Required	No. of Radios	Weight	Exterior Height	Exterior Depth	Exterior Width	Interior Depth
7160-0028	Pre-drilled holes on the front of the <i>Ergonomic Console Box</i> (Item No. MCS-ERGOBOX12) or either end of the <i>Low Profile Console Box</i> (Item No. MCS-LOWBOX) or any <i>MCS Top Plate</i> (Item No. 7160-0086 or 7160-0085) for use with the <i>EPIC Console Boxes</i>	Bucket	No	1 to 3	4.0 lbs.	3.6"	7.2"	9.1"	6.22"

Features

- Heavy gauge steel construction for long-term durability
- Black powdercoat finish for maximum corrosion resistance
- Enclosed design enables communication equipment to be stored securely and safely
- Can be combined with any Gamber-Johnson console box for additional radio/control head mounting space
- Large cutout holes in bottom and both sides for wiring access
- Multiple cutouts for cigarette adapters
- 2 Faceplates and 2 filler panels are included (pg. 56-63)
- Pre-drilled holes for use with any Gamber-Johnson cup holder
- Interior mounting space 7.63"W x 6.22"D

Step Four:

Select the *MCS Accessories* that fits your equipment needs.



MCS Filler Panels

Item No.	Description	Placement	Weight	Height	Width	Depth
3130-0152	1/2" Blank Filler Panel	On top of any <i>MCS Console Box</i>	0.10 lbs.	0.50"	8.7"	0.075"
15130	3/4" Blank Filler Panel	On top of any <i>MCS Console Box</i>	0.15 lbs.	0.75"	8.7"	0.075"
3130-0153	1.0" Blank Filler Panel	On top of any <i>MCS Console Box</i>	0.20 lbs.	1.0"	8.7"	0.075"
3130-0154	2.0" Blank Filler Panel	On top of any <i>MCS Console Box</i>	0.30 lbs.	2.0"	8.7"	0.075"
3130-0155	3.0" Blank Filler Panel	On top of any <i>MCS Console Box</i>	0.40 lbs.	3.0"	8.7"	0.075"
3130-0156	4.0" Blank Filler Panel	On top of any <i>MCS Console Box</i>	0.50 lbs.	4.0"	8.7"	0.075"

Features

- Heavy gauge steel construction for long-term durability
- Black powdercoat finish for maximum corrosion resistance
- Fills space in console boxes not occupied by equipment

MCS Accessories - Cigarette Knockout Filler Panel

Item No.	Description	Placement	Weight	Height	Width	Depth
3130-0361	2.0" Cigarette Knockout Filler Panel	On any <i>MCS Console Box</i>	0.40 lbs.	2.0"	8.7"	0.075"

Features

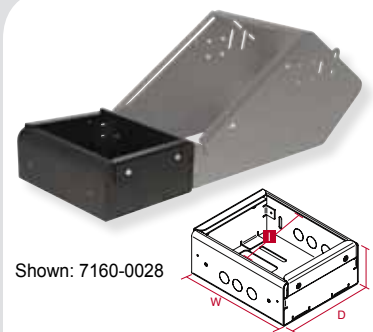
- Heavy gauge steel construction for long-term durability
- Black powdercoat finish for maximum corrosion resistance
- Three holes for mounting the *Cigarette Receptacle* (Item No. 7160-0063)

MCS Accessories - Cigarette Lighter Adapter Kit

Item No.	Description	Placement	Weight	Height	Diameter
7160-0063	Cigarette Lighter Adapter Kit	On the side of any <i>MCS Console Box</i> or with 2.0" <i>Cigarette Knockout Filler Panel</i> (Item No. 3130-0361)	0.05 lbs.	2.5"	1.12"

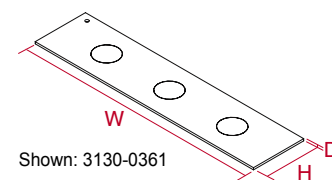
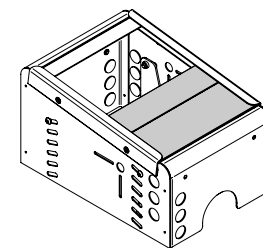
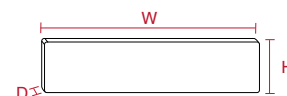
Features

- Kit includes one (1) RoHS compliant 12 volt receptacle, wire kit and cap



Shown: 7160-0028

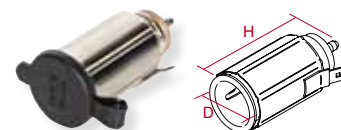
Step Four



Shown: 3130-0361



Shown: 3130-0361 & 7160-0063



Shown: 7160-0063

Mission Control System

MCS Accessories - Rocker Switch Knockout Filler Panels

Item No.	Placement	Placement	Weight	Height	Width	Depth
15082	3 Rocker Switch and 3 Cigarette Knockout Panel	On any <i>MCS Console Box</i>	0.36 lbs.	2.0"	8.7"	0.08"
15083	6 Rocker Switch Knockout Panel	On any <i>MCS Console Box</i>	0.36 lbs.	2.0"	8.7"	0.08"

Features

- Heavy gauge steel construction for long-term durability
- Black powdercoat finish for maximum corrosion resistance
- Knockouts work with *Rocker Switches* (Item No. 7160-0516 or 7160-0517) or *Cigarette Receptacle* (Item No. 7160-0063)

MCS Accessories - Rocker Switches

Item No.	Description	Placement	Weight	Height	Width	Depth
7160-0516	Rocker Switch (ON/OFF/ON) - 4 contacts (Ground, Input, 2 Outputs)	With <i>Rocker Switch Filler Panels</i> (Item No. 15082 or 15083)	0.09 lbs.	2.05"	0.96"	1.93"
7160-0517	Rocker Switch (ON/OFF) - 3 contacts (Ground, Input, Output)	With <i>Rocker Switch Filler Panels</i> (Item No. 15082 or 15083)	0.09 lbs.	2.05"	0.96"	1.93"

Features

- Red LED light is visible when switch is in the "ON" position
- Rated for 20 Amps
- Rated for 12 Volts DC
- RoHS compliant

MCS Accessories - Heavy-Duty Armrest

Item No.	Placement	Height Adjustment	Weight	Height	Width	Depth
<i>MCS-ARMREST</i>	Regular Armrest with 9" Lower Tube	2.5" adjustment above the lip of <i>Lower Tube</i>	6.10 lbs.	11.5"	5.25"	10.0"
<i>MCS-ARMREST5</i>	Regular Armrest with 5" Lower Tube	1.6" adjustment above the lip of <i>Lower Tube</i>	5.50 lbs.	8.15"	5.25"	10.0"
7160-0525	Break Away Armrest with 9" Lower Tube	2.5" adjustment above the lip of <i>Lower Tube</i>	7.00 lbs.	11.5"	5.25"	10.0"

Common Features

- Heavy gauge steel construction for long-term durability
- Black powdercoat finish for maximum corrosion resistance
- Attaches to any MCS Top Plate, the MCS-ARMREST5 is recommended for the Dodge Charger vehicle
- Sturdy design for addition support
- Height adjustable
- Padded armrest flips up for convenience

Break Away Armrest Features

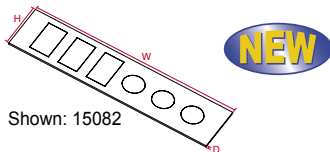
- Armrest pad slides forwards 2" for a comfortable armrest position
- Armrest swivels 100° from the driver to help minimize injury to the driver when in a side impact situation
- Both the slide and the swivel offer an adjustable tension feature

Brother Armrest Printer Mount

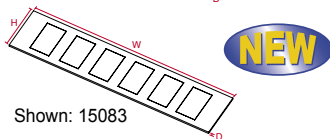
Item No.	Placement	Height Adjustment	Weight	Height	Width	Depth
7160-0006	On top of any <i>MCS Top Plate</i> or any flat stable surface	1.6" adjustment above lip of <i>Lower Tube</i>	11.25 lbs.	15.0" (includes 5" pole)	5.5"	11.6"

Features

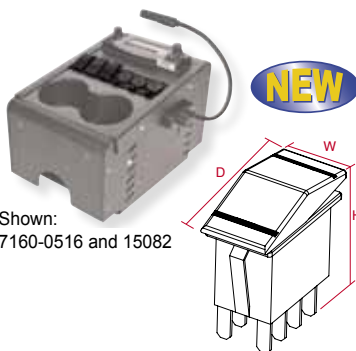
- Convenient flip-up armrest and printer mount all in one
- Heavy gauge steel construction for long-term durability
- Black powdercoat finish for maximum corrosion resistance
- For use with the following Brother printers:
 - PocketJet 200 PocketJet 3 PocketJet 6
 - PocketJet II PocketJet 3 Plus PocketJet 6 Plus (NiMH battery only)
- Mount holds printer and paper roll in separate lockdown trays
- Paper roll is enclosed to protect from dirt and dust
- The cover latches shut and can be used with a padlock for extra security
- Indicator lights and on/off button are easy to see and accessible when the cover is closed
- Paper deflector prevents paper from curling up and jamming
- Cable strain relief protects connector interface on the printer engine from damage
- Printer can be easily removed from the mount for use outside of the vehicle
- Paper feeds out the side towards the driver (Paper and printer not included)
- The cover latches shut and can be used with a padlock for extra security



Shown: 15082

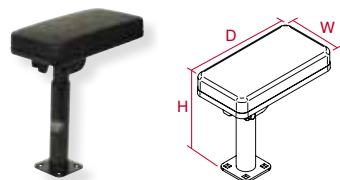


Shown: 15083

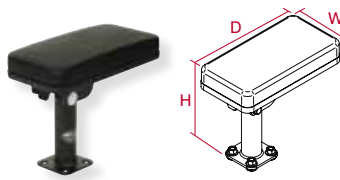


Shown: 7160-0516 and 15082

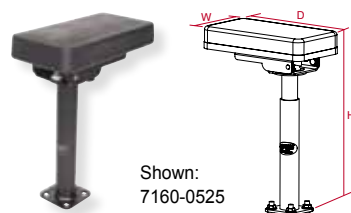
Shown: 7160-0516



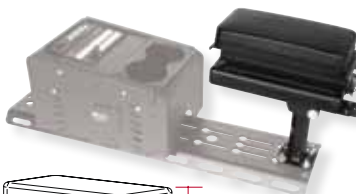
Shown: MCS-ARMREST



Shown: MCS-ARMREST5



Shown: 7160-0525



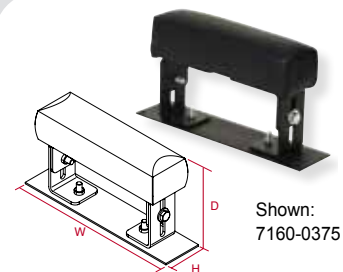
Shown: 7160-0006

MCS Accessories - Extended Panel Armrest

Item No.	Placement	Weight	Height	Width	Depth
7160-0375	On top of most Gamber-Johnson <i>MCS Console Boxes</i> and <i>Vehicle Specific Consoles Boxes</i>	1.3 lbs.	2.0"	8.7"	4.75" to 5.5"

Features

- Heavy gauge steel construction for long-term durability
- Black powdercoat finish for maximum corrosion resistance
- Padded, height adjustable faceplate armrest
- Perfect for vehicle specific consoles or vehicles that have space constraints



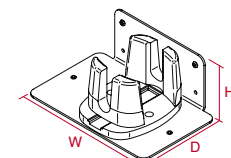
Shown: 7160-0375

MCS Accessories - Adjustable Cupholder (Single)

Item No.	Placement	Weight	Height	Width	Depth
MCS-CUP	Attaches to pre-drilled holes on either end of any <i>MCS Console Box</i>	2.4 lbs.	4.0"	9.75"	6.0"

Features

- Heavy gauge steel construction for long-term durability
- Black powdercoat finish for maximum corrosion resistance
- Holds one cup and compatible with most cup sizes
- No drilling is required



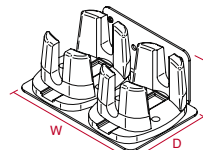
Shown: MCS-CUP

**MCS Accessories - Adjustable Cupholder (Double)**

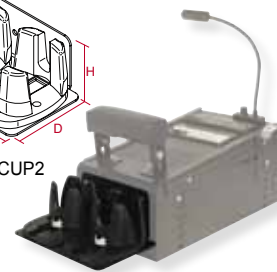
Item No.	Placement	Weight	Height	Width	Depth
MCS-CUP2	Attaches to pre-drilled holes on either end of any <i>MCS Console Box</i>	3.2 lbs.	4.0"	9.75"	6.0"

Features

- Heavy gauge steel construction for long-term durability
- Black powdercoat finish for maximum corrosion resistance
- Holds two cups and compatible with most cup sizes
- No drilling is required



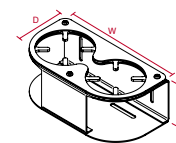
Shown: MCS-CUP2

**MCS Accessories - Universal Heavy-Duty Cupholder (Double)**

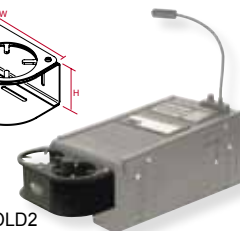
Item No.	Placement	Weight	Height	Width	Depth
MCS-CUPHOLD2	Attaches to pre-drilled holes on either end of any <i>MCS Console Box</i>	2.8 lbs.	3.2"	8.75"	4.5"

Features

- Heavy gauge steel construction for long-term durability
- Black powdercoat finish for maximum corrosion resistance
- Holds two cups and compatible with most cup sizes
- No drilling is required



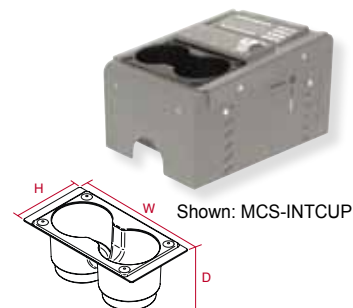
Shown: MCS-CUPHOLD2

**MCS Accessories - Internal Mounted Cupholder (Double)**

Item No.	Placement	Weight	Height	Width	Depth
MCS-INTCUP	Inserts into any <i>MCS Console Box</i>	0.5 lbs.	4.5"	8.63"	3.4"

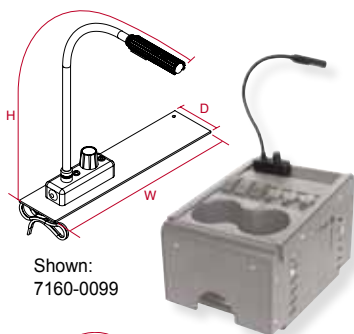
Features

- Black powdercoat finish for maximum corrosion resistance
- Holds two cups; Compatible with most cup sizes
- No drilling is required

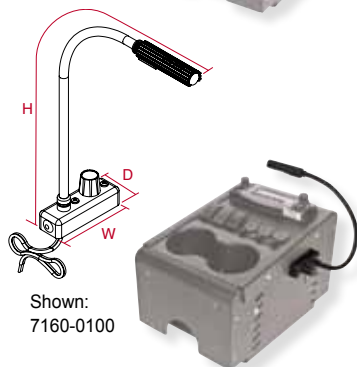


Shown: MCS-INTCUP

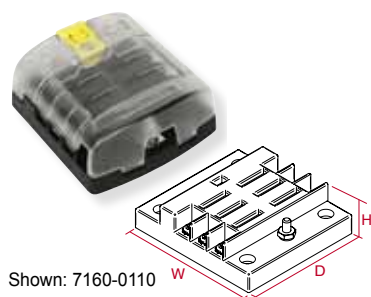
Mission Control System



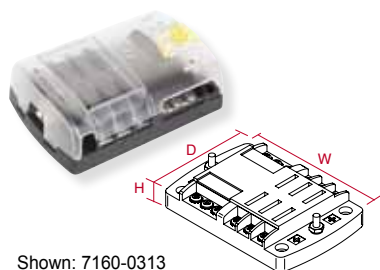
Shown:
7160-0099



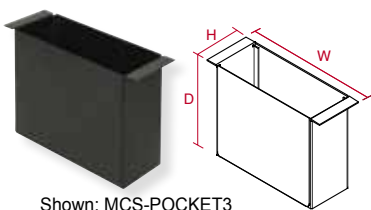
Shown:
7160-0100



Shown: 7160-0110



Shown: 7160-0313



Shown: MCS-POCKET3

MCS Accessories - Panel-Mounted LED Task Light

Item No.	Placement	Weight	Height	Width	Depth
7160-0099	On top of any <i>MCS Console Box</i>	0.50 lbs.	12.0"	8.6"	2.0"

Features

- Rugged construction for long-term durability
- Flexible design
- On/off switch allows you three (3) different LED color combinations: red and white, white only or red only
- Light mounted on 2.0" panel for mounting ease
- No drilling is required

MCS Accessories - Side-Mounted LED Task Light

Item No.	Placement	Weight	Height	Width	Depth
7160-0100	Attaches to pre-drilled holes on either end of any <i>MCS Console Box</i>	0.80 lbs.	12.0"	3.0"	1.25"

Features

- Rugged construction for long-term durability
- Flexible design
- On/off switch allows you three (3) different LED color combinations: red and white, white only or red only
- Can be positioned either over or away from radios
- No drilling is required

MCS Accessories - Power Distribution Block

Item No.	Description	Placement	Drilling Required	Weight	Height	Width	Depth
7160-0110	6 Circuit Power Distribution Block	Can be positioned in any convenient location	Yes	0.42 lbs	1.5"	3.63"	3.30"

Features

- 6 circuit block without a negative bus
- Clear insulating cover with label recesses that accepts Small Format Labels
- Tin-plated copper busses and fuse clips give 30 amperes rating per circuit
- Accepts ATO and ATC fast acting blade fuses
- Four thru holes for mounting
- Maximum Amperage per Circuit: 30 Amperes
- Maximum Amperage per Block: 100 Amperes
- Maximum Voltage Rating: 32 Volts DC

MCS Accessories - Power Distribution Block with Negative Bus

Item No.	Description	Placement	Drilling Required	Weight	Height	Width	Depth
7160-0313	6 Circuit Power Distribution Block with Negative Bus	Can be positioned in any convenient location	Yes	0.42 lbs	1.5"	3.63"	3.30"

Features

- 6 independent ground connections on to a ground bus and separate master ground bus connection
- Clear insulating cover with label recesses that accepts Small Format Labels
- Tin-plated copper busses and fuse clips give 30 amperes rating per circuit
- Accepts ATO and ATC fast acting blade fuses
- Four thru holes for mounting
- Maximum Amperage per Circuit: 30 Amperes
- Maximum Amperage per Block: 100 Amperes
- Maximum Voltage Rating: 32 Volts DC

MCS Accessories - Tall Interior Pocket

Item No.	Placement	Weight	Height	Width	Depth
MCS-POCKET3	Fits in any <i>MCS EPIC Console Box</i>	2.4 lbs.	3.0"	7.25"	6.06"

Features

- Heavy gauge steel construction for long-term durability
- Black powdercoat finish for maximum corrosion resistance
- Ideal for holding pens, keys and other miscellaneous items

MCS Accessories - Short Interior Pocket

Item No.	Placement	Weight	Height	Width	Depth
7160-0332	Fits any <i>MCS EPIC Console Box</i> , <i>Low Profile Box</i> (Item No. MCS-LOWBOX), <i>Extension Box</i> (Item No. 7160-0028) or any Vehicle Specific Console Box	1.85 lbs.	3.0"	8.60"	3.26"

Features

- Heavy gauge steel construction for long-term durability
- Black powdercoat finish for maximum corrosion resistance
- Ideal for holding pens, keys and other miscellaneous items
- Drain holes located in the bottom of the pocket

MCS Accessories - Locking Interior Pocket

Item No.	Placement	Weight	Height	Width	Depth
7160-0388	Tall Locking Pocket fits any <i>MCS EPIC Console Box</i>	3.1 lbs.	3.1"	8.6"	6.3"
7160-0389	Short Locking Pocket fits any <i>MCS EPIC Console Box</i> , <i>Low Profile Box</i> (Item No. MCS-LOWBOX), <i>Extension Box</i> (Item No. 7160-0028) or any Vehicle Specific Console Box	3.9 lbs.	6.1"	8.6"	3.5"

Features

- Heavy gauge steel construction for long-term durability
- Black powdercoat finish for maximum corrosion resistance
- Locking lid with barrel key lock
- Ideal for weapons, keys and other miscellaneous items

MCS Accessories - Computer Mounting Bracket

Item No.	Placement	Weight	Height	Width	Depth
MCS-COMBRKT	Attaches to pre-drilled holes on each side of the <i>Ergonomic Console Box</i> (Item No. MCS-ERGOBOX12) or the <i>Low Profile Box</i> (Item No. MCS-LOWBOX)	3.5 lbs.	5.0"	9.61"	3.0"

Features

- Heavy gauge steel construction for long-term durability
- Black powdercoat finish for maximum corrosion resistance
- Keeps computer low in vehicle and out of the air bag zone
- Computer can be mounted in the center or offset

MCS Accessories - Side Extension Mounting Plate

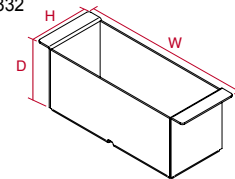
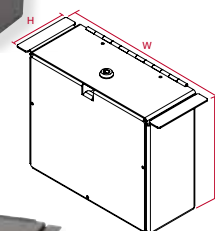
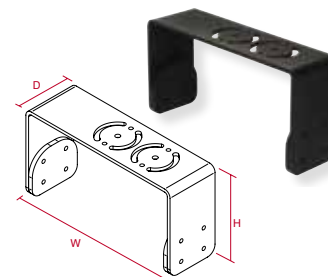
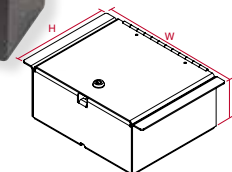
Item No.	Description	Placement	Weight	Height	Width	Depth
7160-0106	Side Extension Mounting Plate	Attaches to pre-drilled holes along side of any new <i>MCS Top Plate</i> (Item No. 7160-0085 or 7160-0086)	1.0 lb.	1.5"	5.0"	3.65"

Features

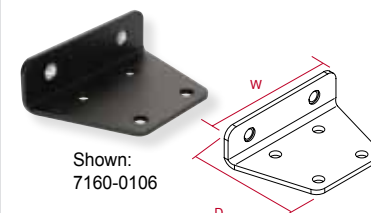
- Heavy gauge steel construction for long-term durability
- Black powdercoat finish for maximum corrosion resistance
- Provides an offset mounting surface for any *Complete DS Pole Assembly* or *Lower Tube Assembly*



Shown: 7160-0332

Shown:
7160-0388Shown:
7160-0389

Shown: MCS-COMBRKT

Shown:
7160-0106

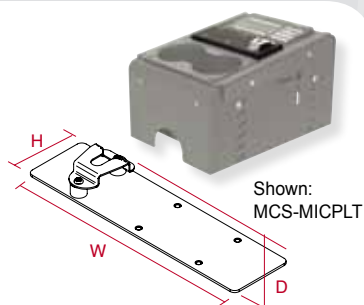
Mission Control System

MCS Accessories - Microphone Clip Panel

Item No.	Placement	Weight	Height	Width	Depth
<i>MCS-MICPLT</i>	On top of any <i>MCS Console Box</i>	0.50 lb.	2.25"	8.7"	1.0"

Features

- Heavy gauge steel construction for long-term durability
- Black powdercoat finish for maximum corrosion resistance
- Can hold up to three microphone clips
- Spacer provided to raise clip for easier use
- Microphone clip sold separately (Item No. 9000-0053)

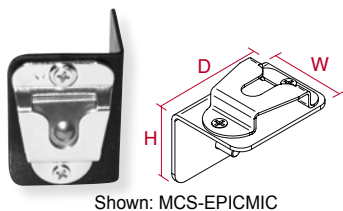


MCS Accessories - Rail-Mounted Microphone Clip

Item No.	Placement	Weight	Height	Width	Depth
<i>MCS-EPICMIC</i>	Attaches to pre-drilled holes on either end of any <i>MCS Console Box</i>	0.80 lbs.	2.25"	1.75"	1.50"

Features

- Heavy gauge steel construction for long-term durability
- Black powdercoat finish for maximum corrosion resistance
- Can be positioned either over or away from radios
- No drilling is required

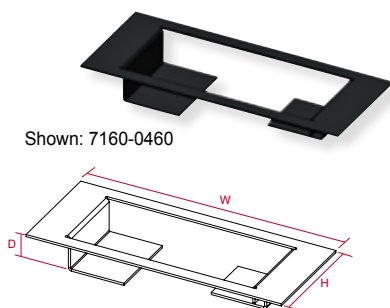


MCS Accessories - Carson SC-411 Remote Control Head Full Faceplate

Item No.	Placement	Weight	Height	Width	Depth
<i>7160-0460</i>	Works with any Gamber-Johnson <i>Console Box</i> and the Carson SC-411 Siren Remote Control	0.65 lbs.	3.50"	8.62"	1.2"

Features

- Heavy gauge steel construction for long-term durability
- Black powdercoat finish for maximum corrosion resistance
- Designed for use with the Carson SC-411 Siren Remote Control
- Full Faceplate secures the Carson SC-411 Siren Remote Control into any Gamber-Johnson *Console Box*
- Interior mounting dimensions: 6.16"W x 2.66"H

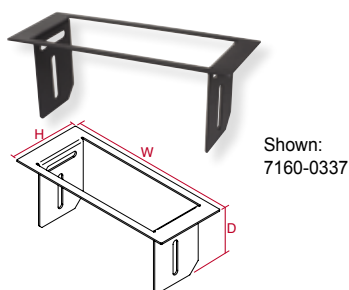


MCS Accessories - Code 3 MasterCon Siren Full Faceplate

Item No.	Placement	Weight	Height	Width	Depth
<i>7160-0337</i>	Works with any Gamber-Johnson <i>Console Box</i> and the Code 3 MasterCon Siren	0.60 lb.	3.5"	8.62"	3.33"

Features

- Heavy gauge steel construction for long-term durability
- Black powdercoat finish for maximum corrosion resistance
- Designed for use with the Code 3 MasterCom Siren control
- Full Faceplate secures the Code 3 MasterCom Siren control into any Gamber-Johnson *Console Box*
- Interior mounting dimensions: 6.78"W x 2.78"H

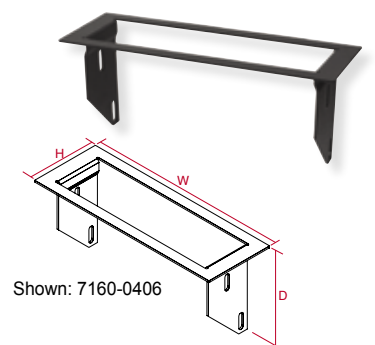


MCS Accessories - EF Johnson 5300 ES Series Mobile Radios/EF Johnson Lightning Control Head Full Faceplate

Item No.	Placement	Weight	Height	Width	Depth
<i>7160-0406</i>	Works with any Gamber-Johnson <i>Console Box</i> and the EF Johnson 5300 ES Series Mobile Radio/EF Johnson Lightning Control Head	0.50 lbs.	3.0"	8.62"	3.58"

Features

- Heavy gauge steel construction for long-term durability
- Black powdercoat finish for maximum corrosion resistance
- Designed for use with the EF Johnson 5300 ES Series Mobile Radio/EF Johnson Lightning Control Head
- Full Faceplate secures the EF Johnson 5300 ES Series Mobile Radio/EF Johnson Lightning Control Head into any Gamber-Johnson *Console Box*
- Interior mounting dimensions: 7.19"W x 2.11"H



MCS Accessories - Federal Signal Smart Siren/Platinum Full Faceplate

Item No.	Placement	Weight	Height	Width	Depth
7160-0338	Works with any Gamber-Johnson <i>Console Box</i> and the Federal Signal Smart Siren/Platinum	0.65 lbs.	4.25"	8.62"	1.2"

Features

- Heavy gauge steel construction for long-term durability
- Black powdercoat finish for maximum corrosion resistance
- Designed for use with the Federal Signal Smart Siren/Platinum
- Full Faceplate secures the Federal Signal Smart Siren/Platinum into any Gamber-Johnson *Console Box*
- Interior mounting dimensions: 6.86"W x 3.31"H

MCS Accessories - Harris M7300 Full Faceplate

Item No.	Placement	Weight	Height	Width	Depth
7160-0523	Works with any Gamber-Johnson <i>Console Box</i> and the Harris M7300	0.42 lb.	3.0"	8.62"	2.58"

Features

- Heavy gauge steel construction for long-term durability
- Black powdercoat finish for maximum corrosion resistance
- Designed for use with the Harris M7300 Radio
- Full Faceplate secures the Harris M7300 Radio into any Gamber-Johnson *Console Box*
- Interior mounting dimensions: 6.94"W x 2.4"H

MCS Accessories - Harris Unity XG-100M Control Head Full Faceplate

Item No.	Placement	Weight	Height	Width	Depth
7160-0432	Works with any Gamber-Johnson <i>Console Box</i> and the Harris Unity XG-100M control head	0.40 lbs.	4.50"	8.62"	1.88"

Features

- Heavy gauge steel construction for long-term durability
- Black powdercoat finish for maximum corrosion resistance
- Designed for use with the Harris Unity XG-100M control head
- Full Faceplate secures the Harris Unity XG-100M control head into any Gamber-Johnson *Console Box*
- Interior mounting dimensions: 7.09"W x 3.44"H

MCS Accessories - Kenwood TK-790 Radio Full Faceplate

Item No.	Placement	Weight	Height	Width	Depth
7160-0466	Works with any Gamber-Johnson <i>Console Box</i> and the Kenwood TK-790 Radio	0.50 lbs.	3.0"	8.62"	3.25"

Features

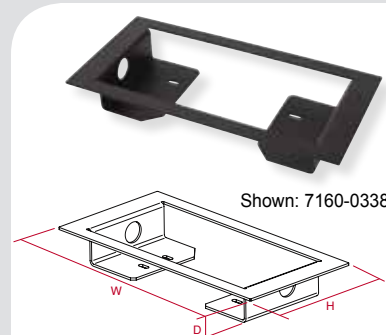
- Heavy gauge steel construction for long-term durability
- Black powdercoat finish for maximum corrosion resistance
- Designed for use with the Kenwood TK-790 Radio
- Full Faceplate secures the Kenwood TK-790 Radio into any Gamber-Johnson *Console Box*
- Interior mounting dimensions: 7.32"W x 2.39"H

MCS Accessories - Kenwood TK-980 and TK-981 Radio Full Faceplate

Item No.	Placement	Weight	Height	Width	Depth
7160-0465	Works with any Gamber-Johnson <i>Console Box</i> and the Kenwood TK-980 and TK-981 Radio	0.40 lbs.	2.0"	8.62"	2.72"

Features

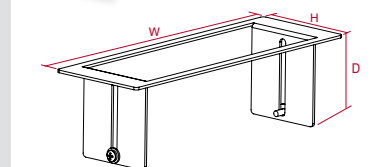
- Heavy gauge steel construction for long-term durability
- Black powdercoat finish for maximum corrosion resistance
- Designed for use with the Kenwood TK-980 and TK-981 Radios
- Full Faceplate secures the Kenwood TK-980 and TK-981 Radios into any Gamber-Johnson *Console Box*
- Interior mounting dimensions: 5.53"W x 1.61"H



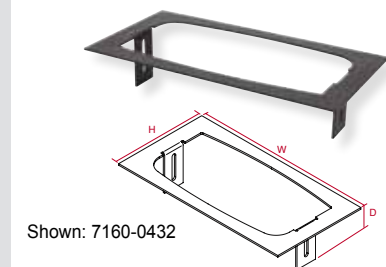
Shown: 7160-0338



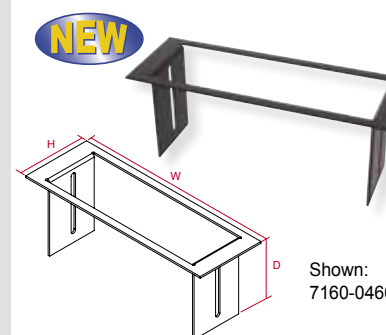
Shown: 7160-0523



Shown: 7160-0432

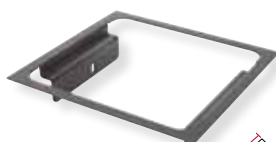
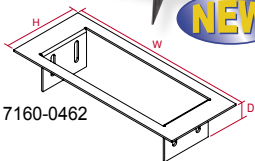
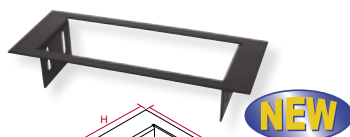
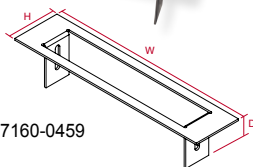
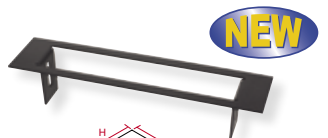
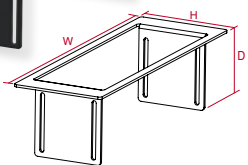


Shown: 7160-0466

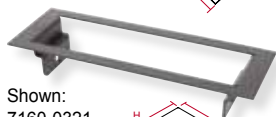
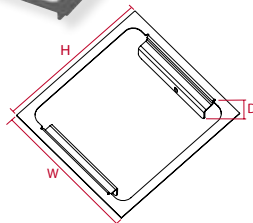


Shown: 7160-0465

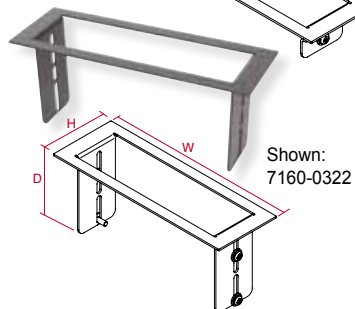
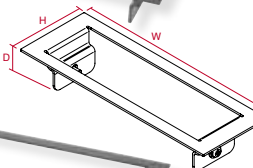
Mission Control System



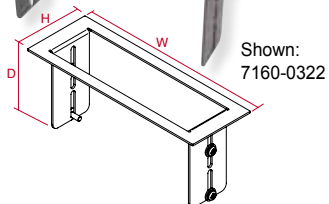
Shown:
7160-0267



Shown:
7160-0321



Shown:
7160-0322



MCS Accessories - L3 Mobile-Vison Flashback3 Video Recorder Full Faceplate

Item No.	Placement	Weight	Height	Width	Depth
7160-0522	Works with any Gamber-Johnson <i>Console Box</i> and the L3 Communication Flashback3	0.38 lb.	3.0"	8.62"	2.43"

Features

- Heavy gauge steel construction for long-term durability
- Black powdercoat finish for maximum corrosion resistance
- Designed for use with the L3 Communication Flashback3 In-Car Digital Video Recorder
- Full Faceplate secures the L3 Communication Flashback3 into any Gamber-Johnson *Console Box*
- Interior mounting dimensions: 6.94" W x 2.44" H

MCS Accessories - Motorola 8 Button DEK Full Faceplate

Item No.	Placement	Weight	Height	Width	Depth
7160-0459	Works with any Gamber-Johnson <i>Console Box</i> and the Motorola 8 Button DEK (Single)	0.25 lbs.	2.0"	8.62"	1.75"
7160-0462	Works with any Gamber-Johnson <i>Console Box</i> and the Motorola 8 Button DEK (Dual)	0.50 lbs.	3.5"	8.62"	1.75"

Features

- Heavy gauge steel construction for long-term durability
- Black powdercoat finish for maximum corrosion resistance
- Designed for use with the Motorola 8 Button DEK (Single or Dual)
- Full Faceplate secures the Motorola 8 Button DEK (Single or Dual) into any Gamber-Johnson *Console Box*
- Interior mounting dimensions for Motorola 8 Button DEK (Single): 6.56"W x 1.28"H
- Interior mounting dimensions for Motorola 8 Button DEK (Dual): 6.56"W x 2.56"H

MCS Accessories - Motorola APX 09 Full Faceplate

Item No.	Placement	Weight	Height	Width	Depth
7160-0267	Works with any Gamber-Johnson <i>Console Box</i> and the Motorola APX 09 Integrated Control Head	0.80 lb.	8.0"	8.62"	1.68"

Features

- Heavy gauge steel construction for long-term durability
- Black powdercoat finish for maximum corrosion resistance
- Designed for use with the Motorola APX 09 Integrated Control Head
- Full Faceplate secures the Motorola APX 09 into any Gamber-Johnson *Console Box*
- Interior mounting dimensions: 7.53"W x 7.06"H

MCS Accessories - Motorola XTL 2500/5000 Full Faceplate

Item No.	Placement	Weight	Height	Width	Depth
7160-0321	Works with any Gamber-Johnson <i>Console Box</i> and the Motorola XTL 2500/5000 Control Head Radio	0.35 lbs	3.0"	8.62"	1.51"
7160-0322	Works with any Gamber-Johnson <i>Console Box</i> and the Motorola XTL 2500/5000 Full sized radio	0.50 lbs	3.0"	8.62"	3.58"

Features

- Heavy gauge steel construction for long-term durability
- Black powdercoat finish for maximum corrosion resistance
- Designed for use with the Motorola XTL 2500/5000 control head and full sized radio
- Full Faceplate secures the Motorola XTL 2500/5000 into any Gamber-Johnson *Console Box*
- Interior mounting dimensions: 7.06"W x 2.08"H

MCS Accessories - Motorola XTVA - Vehicle Adapter Full Faceplate

Item No.	Placement	Weight	Height	Width	Depth
7160-0458	Works with any Gamber-Johnson <i>Console Box</i> and the Motorola XTVA - Vehicle Adapter	0.5 lbs.	3.5"	8.62"	2.12"

Features

- Heavy gauge steel construction for long-term durability
- Black powdercoat finish for maximum corrosion resistance
- Designed for use with the Motorola XTVA - Vehicle Adapter
- Full Faceplate secures the Motorola XTVA - Vehicle Adapter into any Gamber-Johnson *Console Box*
- Interior mounting dimensions: 5.53"W x 2.88"H

MCS Accessories - Sound Off Signal 380 Control Head Full Faceplate

Item No.	Placement	Weight	Height	Width	Depth
14619	Works with any Gamber-Johnson <i>Console Box</i> and the Sound Off Signal 380 control head	0.70 lbs.	3.50"	8.62"	0.88"

Features

- Heavy gauge steel construction for long-term durability
- Black powdercoat finish for maximum corrosion resistance
- Designed for use with the Sound Off Signal 380 control head
- Full Faceplate secures the Sound Off Signal 380 control head into any Gamber-Johnson *Console Box*

MCS Accessories - Uniden Mobile Scanners Full Faceplate

Item No.	Placement	Weight	Height	Width	Depth
7160-0528	Works with any Gamber-Johnson <i>Console Box</i> and the Uniden Mobile Scanners	0.46 lbs.	3.0"	8.62"	3.65"

Features

- Heavy gauge steel construction for long-term durability
- Black powdercoat finish for maximum corrosion resistance
- Designed for use with the Uniden Mobile Scanners Models: BCT15 (X), BCD996 (T & XT), UBC800XLT and BCD536HP
- Full Faceplate secures the Uniden Mobile Scanners into any Gamber-Johnson *Console Box*
- Interior mounting dimensions: 7.28" W x 2.25" H

MCS Accessories - Whelen PCC8R 8 Button Light Controller Faceplate

Item No.	Placement	Weight	Height	Width	Depth
15087	Works with any Gamber-Johnson <i>Console Box</i> and the Whelen PCC8R 8 Button Light Controller	0.55 lbs.	3.0"	8.62"	0.08"

Features

- Heavy gauge steel construction for long-term durability
- Black powdercoat finish for maximum corrosion resistance
- Designed for use with the Whelen PCC8R 8 Button Light Controller
- Faceplate secures the Whelen PCC8R 8 Button Light Controller into any Gamber-Johnson *Console Box*

MCS Accessories - Whelen CenCom Gold/SoundOff 380 Light and Siren Full Faceplate

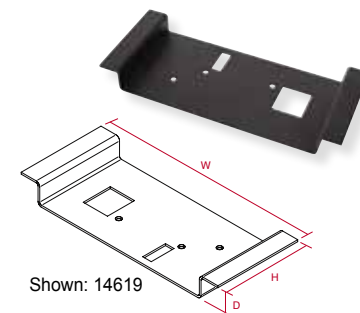
Item No.	Placement	Weight	Height	Width	Depth
7160-0339	Works with any Gamber-Johnson <i>Console Box</i> and the Whelen CenCom Gold or SoundOff 380 Light/Siren controls	0.50 lbs.	4.50"	8.62"	1.33"

Features

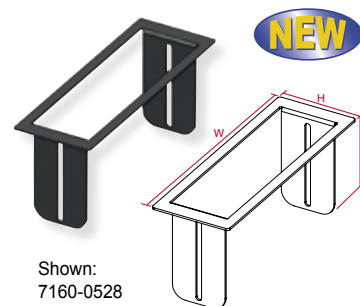
- Heavy gauge steel construction for long-term durability
- Black powdercoat finish for maximum corrosion resistance
- Designed for use with the Whelen CenCom Gold or SoundOff 380 Light/Siren controls
- Full Faceplate secures the Whelen CenCom Gold or SoundOff 380 Light/Siren controls into any Gamber-Johnson *Console Box*
- Interior mounting dimensions: 6.66"W x 3.44"H



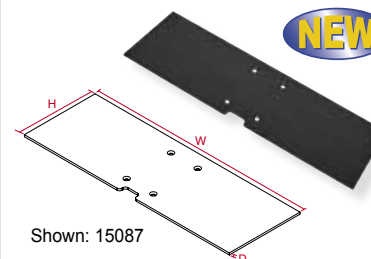
Shown: 7160-0458



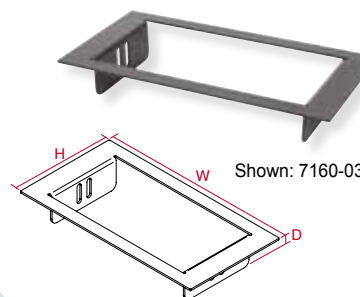
Shown: 14619



Shown: 7160-0528

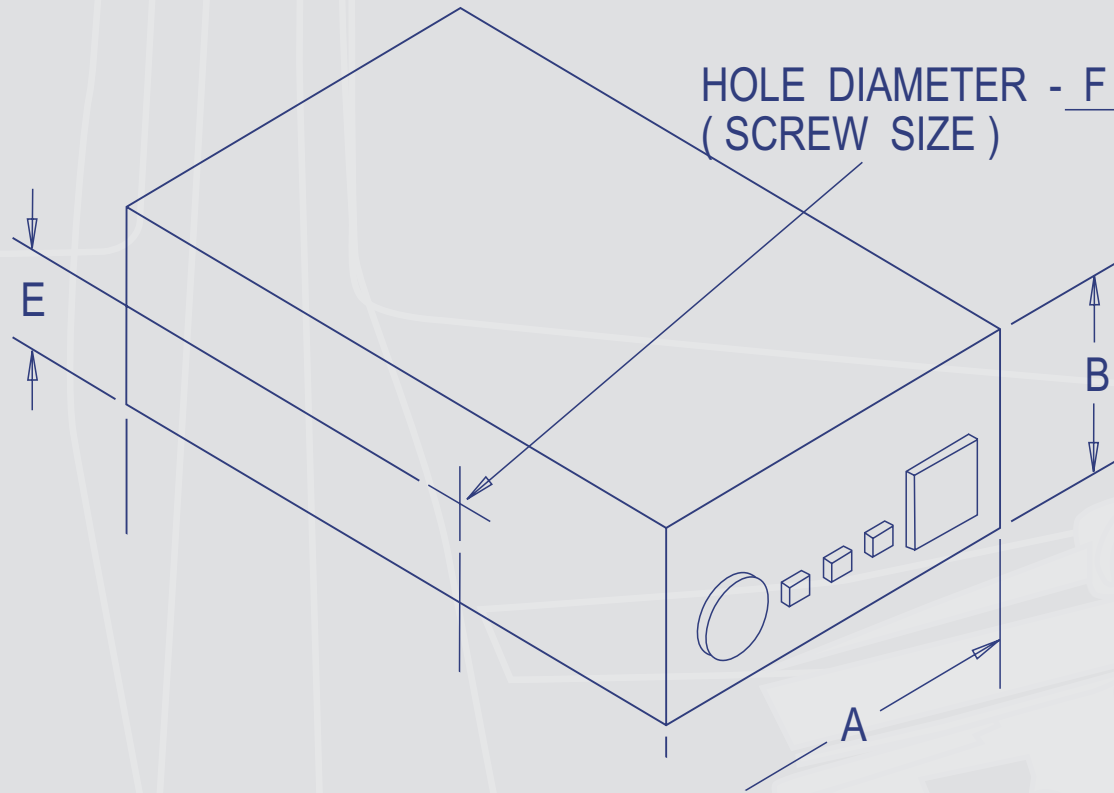


Shown: 15087



Shown: 7160-0339

Mission Control System



Manufacturer _____

Model# _____

Dimensions:

A _____ D _____

B _____ E _____

C _____ F _____

Note: Fill in all dimensions and include make and model for each control head or radio.

Fax to 1-800-934-3577. If you have any questions please call 1-800-456-6868.

Faceplate Ordering Instructions (Every order number includes a pair of faceplates)

1. When ordering faceplates, please specify if you have a SDI Phoenix console box or a MCS Epic console box.
2. Note the manufacturer and the model name of the equipment to be installed, then locate your equipment in the guide.
3. Use the part number listed in the Item No. column.
4. Should Gamber-Johnson's dimensions not correspond with your equipment or you do not find your equipment listed, please make a copy of the dimensions worksheet (above), fill it out and fax it to us at 1-800-934-3577. We will help you find a faceplate which will work with your equipment.

* = SPECIAL ORDERS = If not in stock, 25 piece minimum order required.

Can't find your radio/control head?
Visit our website at www.gamberjohnson.com for a full listing.

Manufacturer & Model	Height "B"	Width "A"	Item No.
911EP Orion DIRECTOR (ORITD4)	1.25	6.50	7140-0374
911EP Orion ELITE (ORIEL4)	1.25	6.50	7140-0374
911EP Orion STANDARD (ORISD4)	1.25	6.50	7140-0374
Able 2 05.5300	2.75	6.00	7140-0312
Able 2 05-6040	2.00	6.00	7140-0318
Able 2 Sho-Me 30-2100/30-2108/ 30-2200 SIRENS	2.25	6.00	7140-0316
Able 2 Sho-Me-05-600 siren	2.25	7.12	7140-0441
Able 2 Sho-Me-05-600 Switch Box	2.25	6.00	7140-0316
Able 2 Sho-Me-5-5540	2.25	6.00	7140-0316
Able2 Chameleon Traffic Director Control	1.25	6.00	7140-0322
ADI AR-146	1.62	5.50	7140-0271
Alinco DR-06T	1.62	5.50	7140-0271
Alinco DR-590	2.00	6.00	7140-0318
Applied Concepts Stacker Radar	1.75	5.50	7140-0271
Bee Doppler Radar Model 36 Series A	2.38	6.00	7140-0315
Bendix/King EMH5990A	2.12	6.00	7140-0317
Bendix/King EMV	2.12	6.00	7140-0317
Bendix/King GMH (RELM/BK Radio)	2.12	6.00	7140-0317
BK DMH5992X	2.12	6.00	7140-0317
Brooking BR960	2.00	6.25	7140-0343
Carson SA 400	2.50	6.12	7140-0314
Carson SC407 Siren Box 407A Siren	2.88	6.12	7140-0312
Carson SC-409	2.75	6.13	7140-0312
Cobra 148 GTL	2.38	7.88	7140-0440
Cobra 18 Ultra	2.12	6.12	7140-0442
Cobra 21VLR	2.25	6.18	7140-0341
Cobra 25 LTD	2.13	6.25	7140-0342
Cobra 25 LX LCD	2.25	6.25	7140-0341
Cobra 29 LTD BT	2.25	6.25	7140-0341
Cobra 29 LTD Classic	2.25	7.28	7140-0441
Cobra 29 LX & 29 LX BT	2.25	7.25	7140-0441
Cobra 29 WX NWST Mobile CB	2.25	7.28	7140-0441
Code 3 Model 430 6 Switchbox	2.18	6.06	7140-0316
Code 3 3892L6M/3892L4H Siren/Light Control (MasterCom B)	2.75	6.50	7140-0362
Code 3 3942M/3942L4H/3942L6H/3944L4H (MasterCom B)	2.75	6.50	7140-0362
Code 3 3990 Series/3997/3998/3999/Z3	3.25	6.75	11511
Code 3 415 Series Rocker Swich Control Panels	2.50	6.50	7140-0364
Code 3 Arrowstick PSE (Model - NASLCH2)	1.25	6.50	7140-0374
Code 3 ArrowStik	2.00	6.50	7140-0368
Code 3 Mastercom B (3892/3892L6M/3892L6)	2.75	6.50	7140-0362
Code 3 Narrowstick	1.53	6.56	7140-0371
Code 3 Stealth 518	1.50	6.00	7140-0322
Code 3 V-CON 3600 Series	2.25	6.50	7140-0864
Code 3 V-CON 3672L4	2.25	6.50	7140-0864
Code 3 V-CON 3692	2.25	6.50	7140-0864
Code 3 V-CON 3692L4	2.25	6.50	7140-0864
Code 3 V-CON 3696 series	2.25	6.50	7140-0864
CPI SV100	1.50	5.50	7140-0272
D & R RDS-RK	2.40	6.60	7140-0364
Eagle Radar	1.75	6.50	7140-0370
EF Johnson 242-7610	1.60	5.50	7140-0272
EF Johnson 53SL ES	2.00	7.00	7140-0443

Manufacturer & Model	Height "B"	Width "A"	Item No.
Emtrac, Traffic Pre-Empron System	2.75	6.50	7140-0362
Ericsson EDACS Orion Scanner	2.50	7.38	7140-0439
Ericsson GE 34A4210P D	2.00	6.00	7140-0318
Federal EQ2B	3.25	6.88	3130-0237
Federal FIRECOM 3000A	1.69	6.06	7140-0317
Federal FIRECOM 3000C	1.50	6.12	7140-0322
Federal MS-4000	1.50	5.50	7140-0272
Federal PA - 200, PA-300, PA-400	2.38	6.06	7140-0315
Federal PA630 P640	3.00	6.90	7140-0385
Federal Premium Vision	3.25	N/A	3130-0237
Federal Signal SignalMaster SMC 5, Lightbar Controller 331105	1.50	6.12	7140-0322
Federal Signal Smart Siren & EQTB	3.25	6.75	3130-0237
Federal Signal SS-700 Siren/PA	2.50	6.00	7140-0364
Federal Signal UTMD Delta	2.40	6.50	7140-0364
Federal Signal Vision Control Head	3.25	6.75	3130-0237
Federal SW200	2.19	5.00	7140-0216
Federal SW-300, SW400SS, SW400SSJ, SW400S&L	2.19	6.06	7140-0316
Galls 5 Function Switch Panel SE080	2.00	6.25	7140-0343
Galls 6 Function Switch Panel SE081	2.13	6.25	7140-0342
Galls 6 Function Switch Panel SE082	2.00	6.25	7140-0342
Galls Siren Box SK053	2.75	6.62	7140-0362
Galls SK155	2.50	6.00	7140-0314
Galls Street Thunder 240	2.50	6.00	7140-0314
Galls Switch Box J-SE041	2.19	6.13	7140-0316
Galls SX 100 Street Thunder	2.75	6.50	7140-0862
Galls XL 100 Street Thunder	2.50	6.00	7140-0314
Galls XL 200 Switch Box	2.50	6.50	7140-0364
Galls XL 300 Street Thunder	2.12	6.25	7140-0342
Galls XL 400 Street Thunder	2.50	6.50	7140-0364
GE 344A4210P2	2.00	6.00	7140-0318
GE Ericsson (MA/Comm) KMC300	2.12	7.12	7140-0442
GE Ericsson Mrk Vehicle Charger	2.38	7.13	7140-0440
GE FMD Radio/Recessed	2.88	7.38	7140-0436
GE Marc MDX, NPH-20	2.21	7.20	7140-0441
GE MDX Remote	2.21	7.20	7140-0441
GE MLS II	2.50	7.00	7140-0439
GE Monogram MGM-148	2.00	6.00	7140-0318
GE MPR Controller & Charger	3.00	7.00	7140-0385
GE MVS	2.25	7.06	7140-0441
GE Orion	2.00	7.06	7140-0443
GE Orion Mobile EDACS Scan Model	2.50	7.00	7140-0439
GE PAE 5610 or GE Orion Remote Head	2.38	6.94	7140-0440
GE PMH4SD	2.25	7.12	7140-0441
GE S-900 w/light	2.00	6.62	7140-0368
GE S-990 Remote Head	1.62	6.56	7140-0371
Genesis I Radar	1.75	6.50	7140-0370
Harris M7300 Series Control Head & M5300/ M7200/M7100 Series Radio & Control Head	2.40	7.00	7140-0439
Icom 207 - also Icom 521	1.50	5.50	7140-0272
Icom 706 Mark II G	2.38	6.62	7140-0365
Icom A-110	1.88	5.88	7140-0318
Icom F1020 & F220	2.00	6.00	7140-0318
Icom F2721D	1.50	5.50	7140-0272
Icom F320 & F420 (also 2720 or 2800)	1.50	5.50	7140-0272

Can't find your radio/control head?

Visit our website at www.gamberjohnson.com for a full listing.

View and customize mounting solutions for your vehicle @ www.gamberjohnson.com



Mission Control System

Manufacturer & Model	Height "B"	Width "A"	Item No.
Icom F521 & F621	1.60	5.58	7140-0271
Icom IC-1020 and 1010	2.00	6.00	7140-0318
Icom IC-2300H Radio	1.57	5.50	7140-0271
Icom IC-7000	2.25	6.50	7140-0341
Icom IC-F121 also IC-F221-A	1.50	6.00	7140-0322
Icom IC-F65061	1.75	6.38	7140-0345
Icom IC-F8100	2.44	6.85	7140-0365
Icom IC-V800 Radio	2.00	6.00	7140-0318
Icom ID-880H	1.56	5.91	7140-0322
Icom V100	2.00	6.25	7140-0393
Il Morrow Apollo	2.25	6.38	7140-0341
Johnson 7167-S	3.00	N/A	3130-0237
Johnson 8615B	2.00	6.50	7140-0368
Johnson 9755 Multi-N	2.25	7.00	7140-0441
Johnson Summit Trunk	2.12	7.12	7140-0442
Kenwood 7150	2.00	7.12	7140-0443
Kenwood 862	1.50	5.62	7140-0272
Kenwood KCH-4	2.25	7.00	7140-0441
Kenwood NX700, 800 & TK5720			
8360HU & 7360 HV	1.77	6.30	7140-0345
Kenwood TK 6110	2.00	6.31	7140-0343
Kenwood TK 760H TK840 TK863G TK940			
TK980 TM-V7	1.50	5.50	7140-0272
Kenwood TK5710 & TK5810	2.36	7.01	7140-0440
Kenwood TK705D TK805D	1.50	5.88	7140-0297
Kenwood TK7150/TK8150/7160H	2.00	7.00	7140-0443
Kenwood TK7160/TK8160/TK7180/TK7360/ TK8180/TM271/NX800K	1.70	6.30	7140-0345
Kenwood TK790/TK690/TK730/TK5710	2.38	7.06	7140-0440
Kenwood TK830/TK890	2.38	6.94	7140-0440
Kenwood TK840/TK863G	1.50	5.50	7140-0272
Kenwood TK860	1.62	5.50	7140-0271
Kenwood TK880/TK780	1.62	5.50	7140-0271
Kenwood TM 641A, 741A, 742A, 942A TK860 TK780, TK880	2.00	5.94	7140-0318
Kenwood TM-261	1.50	5.50	7140-0272
Kustom Signal Golden Eagle	1.75	6.50	7140-0370
Kustom Signal Pro 1000DS	1.75	6.50	7140-0370
L3 Mobile-Vision In-Car Video (Does not work with FLASHBACK or FLASHBACK2)	N/A	N/A	7140-1036
L3 Mobile Vision FLASHBACK 3	2.40	6.93	7140-0440
Lafayette HA-750	2.69	6.63	7140-0862
Light Switch PNL	2.50	6.50	7140-0364
M/A Com D28LPX - M7100	2.00	6.88	7140-0393
M/A Com EDACS M7100 IP	2.38	6.88	7140-0390
M/A Com M7300 Radio	2.00	7.00	7140-0443
M/A Com Panther 500M	2.25	7.00	7140-0441
Maxon SM 4450SC	2.00	6.00	7140-0318
Midland 2 piece	2.12	7.12	7140-0442
Midland 70-1394B	2.25	7.38	7140-0441
Midland 77-116	1.50	6.00	7140-0322
Midland 77-155	2.25	6.00	7140-0316
Midland LMM4115D	2.00	7.00	7140-0443
Midland Syntech II (Dash)	2.25	7.25	7140-0441
Mixer, MFG unknown	3.50	6.12	7140-0306
Motorola 067W	2.00	7.00	7140-0443
Motorola 4009 CB	2.50	7.00	7140-0439
Motorola 800 MHZ GTX	1.75	6.62	7140-0370
Motorola 9000	3.38	6.44	7140-0857

Manufacturer & Model	Height "B"	Width "A"	Item No.
Motorola A-7, A-9, C-9	3.50	6.50	7140-0856
Motorola AM300	2.00	7.00	7140-0443
Motorola APX 6500 / 7500 (05 Control head) Full Radio	2.00	7.00	7140-1034
Motorola Astro & Spectra (w/switch)	3.38	6.50	7140-0857
Motorola Astro MHLN6432E	2.00	7.00	7140-0443
Motorola Astro Spectra W9 Control head	3.37	6.50	7140-1010
Motorola CDM 750/1250/1550	2.00	6.50	7140-0368
Motorola CDM 750/1250/1550	2.38	7.00	7140-0440
Motorola CM200/300	1.73	6.67	7140-0370
Motorola DEK / SIREN Control Box	1.25	6.50	7140-0374
Motorola E-4	2.00	7.00	7140-0443
Motorola GM300	2.00	7.00	7140-0443
Motorola Handi-Talkie Charger NTN8660A	3.50	3.50	7140-0556
Motorola HCN 1019A	2.00	6.75	7140-0393
Motorola HCN 1052B Maratrac Remote HD ADV. A-7	3.38	6.50	7140-1010
Motorola HCN 1073	3.38	6.50	7140-0857
Motorola HCN 1089A Maratrac (Astro)	3.44	6.50	7140-1010
Motorola HCN 1873A	3.38	6.50	7140-0857
Motorola HLN 1241C, HLN 1241B, HLN333	1.25	6.50	7140-0374
Motorola HLN 1260	1.25	6.50	7140-0374
Motorola HLN 3333B	1.25	6.50	7140-0374
Motorola LCS 2000	1.73	6.61	7140-0370
Motorola M1225	1.75	6.56	7140-0370
Motorola M1550	2.88	7.38	7140-0436
Motorola Maratrac A7 Head	3.62	6.50	7140-1010
Motorola Maratrac HCN 4034	2.00	5.75	7140-0318
Motorola Maratrac W-9	3.62	6.50	7140-1010
Motorola Maxar 80	2.50	6.56	7140-0364
Motorola Maxon SM4000	2.00	6.00	7140-0318
Motorola Maxtrac	2.00	7.00	7140-0443
Motorola MCS 2000 - Control Head MODEL I	2.35	7.33	7140-0440
Motorola MCS 2000 - MODEL I, II, & III	1.75	6.62	7140-0370
Motorola MCX 1000	2.00	6.94	7140-0443
Motorola MD1H Remote	2.25	7.25	7140-0441
Motorola NLN4368A	3.00	7.25	7140-0435
Motorola P200 Charger	3.00	7.25	7140-0435
Motorola PM1500	2.50	7.25	7140-0439
Motorola PM400	1.73	6.67	7140-0370
Motorola Radius/GM 300	2.00	7.00	7140-0443
Motorola SM120 / SM50 Radius	1.73	6.62	7140-0370
Motorola Spectra A-4 Remote (double bend) B7	2.00	5.68	7140-1004
Motorola Spectra A-5 Astro/W7/W5/W4	2.00	7.00	7140-0443
Motorola Spectra C-7	2.00	5.68	7140-1004
Motorola Spectra C-9 HCN1073D	3.19	6.50	7140-1010
Motorola Spectra DA5KM	2.00	7.00	7140-0442
Motorola Spectra/W9	3.62	6.50	7140-1010
Motorola Syntor Radio	2.25	6.00	7140-0316
Motorola Syntor X9000 (same as spectra, astro-ctrl head only)	3.38	6.50	7140-1010
Motorola TLN 3042A	1.25	6.25	7140-0374
Motorola VRM 850	1.85	6.61	7140-0370
Motorola Wildcard	1.25	6.00	7140-0374
Motorola XPR 4500 and XPR4550	2.00	7.00	7140-1034
Motorola XTL 5000 & XTL 2500 & XTL 1500	2.00	7.00	7140-1034
Panasonic Arbitrator Camera Head	2.00	7.00	7140-0443

Can't find your radio/control head?
Visit our website at www.gamberjohnson.com for a full listing.

Manufacturer & Model	Height "B"	Width "A"	Item No.
Power call Siren - 6 Adam	2.50	6.40	7140-0364
Power call Siren - DX5200	2.25	5.00	7140-0216
Public Safety Equip. Lite Switch Box	2.12	6.25	7140-0342
Radio Shack CCS	2.00	7.00	7140-0443
Radio Shack PRO 2046 & 2051	2.00	7.12	7140-0443
Radio Shack PRO 2066	2.00	7.38	7140-0443
Radio Shack PRO 2067	2.00	6.75	7140-0393
Radio Shack Pro MD2 800 Pro 2066	2.12	7.12	7140-0442
Radio Shack TRC-465	2.06	6.06	7140-1013
Radio Shack TRC-474	1.50	5.50	7140-0272
Radio Shack TRC-487	1.50	5.62	7140-0272
Radio Shack TRC-496	2.00	7.25	7140-0443
Radio Shack TRC519	1.62	5.56	7140-0271
Realistic HTX100	2.50	7.38	7140-0439
Realistic TRC-418 CB	1.62	5.44	7140-0271
Realistic TRC-423	2.00	5.88	7140-0318
Realistic TRC-435	1.50	5.50	7140-0272
Realistic TRC-482	2.00	5.88	7140-0318
Regency Lo Band Radio	2.50	6.50	7140-0364
Regency R1600 Scanner	1.75	6.31	7140-0345
Regency RH2510	2.75	6.50	7140-0362
Regency WH2516	2.12	6.00	7140-0317
Relm MS200 Scanner	2.38	5.88	7140-0290
Relm MS2000	2.12	6.00	7140-0317
Relm RM800	2.00	6.75	7140-0443
Relm RMV 60B	2.50	5.88	7140-0289
Relm RMV50 & V50R	1.75	6.50	7140-0370
Relm RMV608	2.38	5.75	7140-0290
Relm SMU-2516	1.50	5.75	7140-0297
Relm SMU-2599	1.50	5.75	7140-0297
Roadmaster	2.50	6.12	7140-0314
Ronton LC1000	2.00	6.75	7140-0443
Signal Vehicle SB4020	2.50	6.12	7140-0314
Signal Vehicle SB4040	2.13	4.75	7140-0317
Signal Vehicle SS700	2.50	6.50	7140-0364
Smith & Wesson SW800	2.25	6.25	7140-0341
Sound Off 380 ML (Multi-Function)	2.38	6.40	7140-0439
Sound Off 600 Series Switch Panel ETSP6F	2.20	6.20	7140-0341
Sound Off 700 Series	2.12	6.25	7140-0342
Sound Off Directional Arrowswitch	1.76	6.55	7140-0370
Sound Off ETSP6F	2.20	6.20	7140-0341
Sound Off ETSP9F	2.20	6.20	7140-0341
Standard CCR-708 Alpha	3.00	7.00	7140-1021
Standard Vertex	1.75	6.38	7140-0345
Star Warning Systems TD77-2	1.50	6.00	7140-0322
Steven R Jennings Siren	3.50	6.12	7140-0306
SVP SA-500	2.12	6.12	7140-0317
SVP SB4020	2.25	6.12	7140-0316
SVP SS-700	2.50	6.50	7140-0364
SVP Star SB4020	2.50	6.50	7140-0364
Tait T2020	2.00	6.20	7140-0393
Tait TM8255	2.80	7.20	7140-0436
Tele Tec	3.00	7.31	7140-0435
Tomar 940 & Tomar 940 amp	3.60	7.00	7140-0435
Uniden 780 XLT	2.38	6.94	7140-0440
Uniden BC700A	2.38	6.94	7140-0440
Uniden BC780XLT Trunk Tracker III	2.38	6.88	7140-0390
Uniden BCD996 (T or XT) & BCD536HP	2.00	7.00	7140-0443

Manufacturer & Model	Height "B"	Width "A"	Item No.
Uniden BCT7	1.62	5.50	7140-0271
Uniden BCT8	2.00	6.94	7140-0443
Uniden BCT8 scanner	2.44	7.06	7140-0439
Uniden Bearcat BC796D	2.38	6.88	7140-0390
Uniden Bearcat Scan BCT15	2.38	6.88	7140-0390
Uniden Bearcat Scan BCT15X	2.38	6.88	7140-0390
Uniden CB Radio PC 76XL	2.12	7.25	7140-0442
Uniden FML 600C	2.50	7.25	7140-0439
Uniden FTL-1001-A	2.25	5.12	7140-0216
Uniden HR-2510 & HR-2600	2.50	7.38	7140-0439
Uniden PC68 Elite CB	2.12	6.25	7140-0342
Uniden PC78 Elite CB Radio	2.19	7.25	7140-0441
Uniden PRO 538W	2.00	6.75	7140-0443
Uniden PRO Series PC68XL	2.12	7.12	7140-0442
Uniden SMH5250T	2.16	6.00	7140-0317
Uniden SMR Base Station	2.50	6.00	7140-0314
Uniden SMU4525	2.00	6.12	7140-0318
Uniden UTMD Delta	2.50	6.50	7140-0364
Uninrol Touchmaster (UTM4)	2.50	6.50	7140-1001
Whelen 295HFSA 1 and 2955L100	2.50	6.00	7140-0283
Whelen 295HFSA5 and SA6 295SL100	2.50	6.00	7140-0314
Whelen 295SLSA1	1.69	6.50	7140-0370
Whelen Cencom3 & CCSRN2 & Gold	3.50	6.88	7140-0306
Whelen CencomGold (head only) Sapphire	3.50	6.88	7140-0881
Whelen Epsilon Siren EPSL259	3.25	5.88	7140-0283
Whelen HSF4	3.12	5.88	7140-0284
Whelen MGC032	2.50	6.00	7140-0314
Whelen MPC01	3.12	5.88	7140-0284
Whelen MPC03	3.38	6.63	7140-0857
Whelen PCC-6, PCC-10, PCC6R	2.38	5.88	7140-0290
Whelen PCC6W	2.25	6.00	7140-0316
Whelen PCC9	2.12	6.00	7140-0317
Whelen PCCHD-2	2.12	6.12	7140-0317
Whelen PCCS9N1	3.50	6.88	7140-0306
Whelen PCCS9R	2.00	6.12	7140-0318
Whelen PCDS-9 and PCDS-9R Barlight Head	2.00	6.00	7140-0318
Whelen Siren Box JSK 028	2.38	6.50	7140-0365
Whelen TACTRL12	2.12	6.12	7140-0317
Whelen Traffic Advisor	2.00	5.94	7140-0318
Whelen WS-2100	2.50	6.00	7140-0314
Whelen WS295HF Siren, 295-100	2.38	5.88	7140-0290
Whelen WS295HFS/S6/SA6 & 295SLSA6 & 295SLS6	3.38	6.00	7140-0307
Whelen WS-295-HF-Sinc Siren Head (295HFSA1)	2.50	6.00	7140-0314
Yaesu FT-5100	1.50	5.50	7140-0272
Yaesu FT-8100	1.61	5.50	7140-0271
Yaesu Vertex	1.50	5.62	7140-0272
Yaesu Vertex 4000U - VX6000 4200 and 7200	2.38	7.00	7140-0440
Yaesu Vertex FTL-7011 and FTL 2011	2.00	6.25	7140-0343
Yaesu Vertex VX-7200-DO-50, VX2100	1.69	6.50	7140-0370
Yaesu FT-100	2.00	6.50	7140-0368
Yaesu FT-100D	2.12	6.29	7140-0342
Yaesu High Band	1.62	5.50	7140-0271
Yaesu Vertex 4000	2.40	7.70	7140-0439
Yaesu Vertex VX 5500	2.40	7.00	7140-0440

Can't find your radio/control head?

Visit our website at www.gamberjohnson.com for a full listing.



View and customize mounting solutions for your vehicle @ www.gamberjohnson.com

Mobile Workstations



PAGE 65

SMALL MOBILE WORKSTATION INSTALLED IN A FORD SUPER DUTY

Features/Benefits

- Contains locking storage for supplies and devices
- Includes attachable convenient clipboard holder
- Larger handle to allow easy opening or closing of door
- Computer mounting platform has a built in sliding shelf unit for mounting peripheral equipment like a printer



PAGE 65

LARGE MOBILE WORKSTATION INSTALLED IN A FORD E-SERIES VAN

Features/Benefits

- Contains locking storage for supplies and devices
- Includes attachable convenient clipboard holder
- Larger handle to allow easy opening or closing of door
- Mounting holes on the front accommodates computer mounting brackets
- Box attaches separately to mounting legs which allows for easy installation and quick removal of the workstation from the vehicle



PAGE 65

WORK TRUCK CONSOLE INSTALLED IN A FORD SUPER DUTY

Features/Benefits

- Contains locking storage for hanging standard file folders, supplies or other devices
- Armrest that can be position closer to the driver or passenger during installation
- 9.0" of mounting space with the internal cupholder and is designed to work with both full sized radios and radio control heads

Mobile Workstations

Item No.	Placement	Description	Weight	Height	Width	Depth
7160-0079	Attaches to the floor, between the seats of most common vans & trucks	Small Mobile Workstation	48 lbs.	12.1" to 14.6"	11.5"	18.8"
7160-0102	Attaches to the floor, between the seats of most common vans & trucks	Complete Small Mobile Workstation with Computer Platform	62 lbs.	12.1" to 14.6"	11.5"	28.1"
7160-0103	Attaches to the floor, between the seats of most common vans & trucks	Complete Small Mobile Workstation with Vertical Surface Mount	50 lbs.	12.1" to 14.6"	11.5"	20.8"
7160-0082	Attaches to the floor, between the seats of most common vans & trucks	Large Mobile Workstation only	65 lbs.	15.2" to 17.7"	15.0"	16.1"
7160-0104	Attaches to the floor, between the seats of most common vans & trucks	Complete Large Mobile Workstation with Computer Platform	73.5 lbs	15.2" to 17.7"	15.0"	24.6"
7160-0105	Attaches to the floor, between the seats of most common vans & trucks	Complete Large Mobile Workstation with Vertical Surface Mount	67 lbs.	15.2" to 17.7"	15.0"	18.1"

Workstation Features

- Heavy gauge steel construction for long-term durability
- Black powdercoat finish for maximum corrosion resistance
- Contains locking storage for supplies and devices
- Includes attachable convenient clipboard holder
- Larger handle to allow easy opening or closing of door
- Mounting holes on the front accommodates computer mounting brackets (see features below)
- Box attaches separately to mounting legs which allows for easy installation and quick removal of the workstation from the vehicle
- Attaches to leveling feet that will adjust to vehicle floor variations
- Can be used with any *MCS Vehicle Leg* (pg. 48) or *MCS Top Plate* (Item No. 7160-0085 or 7160-0086) for a no drilling option

Computer Platform Features

- Heavy gauge steel construction for long-term durability
- Black powdercoat finish for maximum corrosion resistance
- Allows a computer to be mounted in front of the box without obstructing access to the storage compartment
- A computer can be mounted on top of the workstation by using any of the **Motion Attachment** listed below and any Gamber-Johnson *Cradle or Docking Station* (sold separately)
- The *Small Computer Mounting Platform* (Item No. 7160-0080) has a built-in sliding shelf unit for mounting peripheral equipment like a printer

Vertical Surface Mount

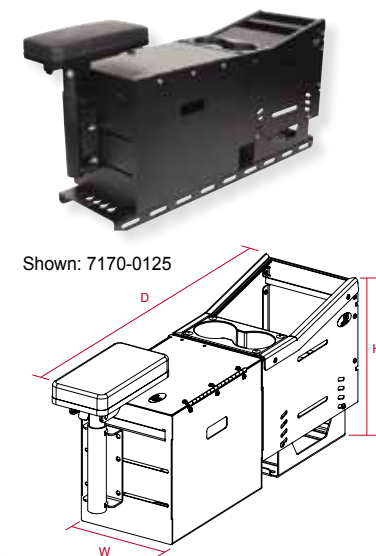
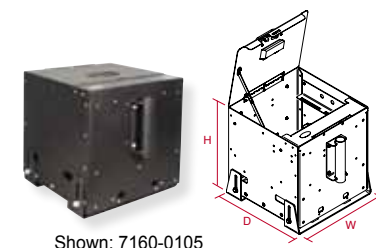
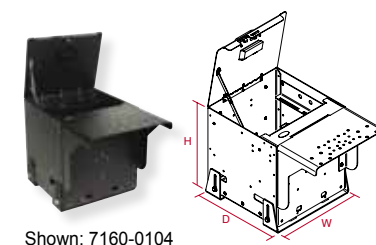
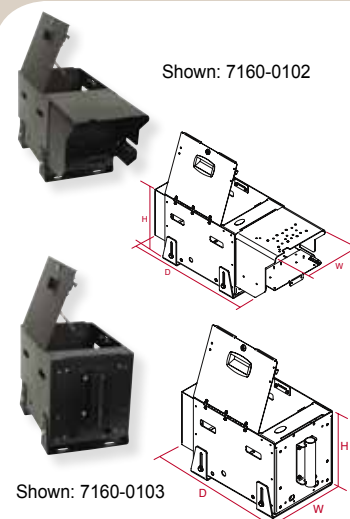
- Heavy gauge steel construction for long-term durability
- Black powdercoat finish for maximum corrosion resistance
- Allows a computer to be mounted in front of the box without obstructing access to the storage compartment
- A computer can be mounted on top of the workstation by using a **Motion Attachment** (Item No. CLEVIS 0-90T), any *Upper Pole* (pg. 30) and any Gamber-Johnson *Cradle or Docking Station* (sold separately) (pg. 75-103)

Work Truck Console with File Box, Cupholder and Armrest

Item No.	Placement	Weight	Height	Width	Depth	Interior Depth
7170-0125	On the 29" <i>MCS Top Plate</i> (Item No. 7160-0085)	37 lbs.	11.0" to 13.4"	9.23"	32.06"	9.0"

Features

- Heavy gauge steel construction for long-term durability
- Black powdercoat finish for maximum corrosion resistance
- Contains locking storage for hanging standard file folders, supplies or other devices
- Armrest that can be positioned closer to the driver or passenger during installation
- 9.0" of mounting space with the internal cupholder and is designed to work with both full sized radios and radio control heads
- Includes filler panels and standard faceplates. Full faceplates are available for select radios and sirens and are sold separately (not included with console box).
- Mounting holes on the right side of the console accommodates the *Vertical Surface Mount* (Item No. DS-138) for computer mounting (sold separately pg. 16)
- Box attaches *MCS Top Plate* (Item No. 7160-0085) and to *MCS Vehicle Legs* (both sold separately pg. 48)
- This item is sold as a package and there are **no substitutions**
- Items included in package are:
 - Internal Cupholder
 - Break Away Armrest
- 3 Faceplates and 3 filler panels are included (pg. 56-63)



Forklifts



PAGE 69

FORKLIFT 0-90 CLEVIS WITH PLATE (7160-0364/7160-0365)

Features/Benefits

- The Forklift Clevis has a 3" Arm that brings equipment closer to the user
- Plate sandwiches the forklift overhead guard leg and allows the user to position the device at the desired height
- The Forklift 0-90 Clevis with Plate can be purchased with a Small Plate or a Large Plate



PAGE 69

FORKLIFT DUAL CLAM SHELL WITH PLATE (7160-0366 / 7160-0367)

Features/Benefits

- Clam Shell features the following hole patterns: AMPS, NEC and VESA 75mm
- The Dual Clam Shells offer increased range of tilt, swivel and rotation
- The Dual Clam Shell can be purchased with a Small Plate or a Large Plate



PAGE 69

FORKLIFT DUAL CLAM SHELL WITH 3" ARM AND PLATE (7160-0420 / 7160-0421)

Features/Benefits

- Clam Shell features the following hole patterns: AMPS, NEC and VESA 75mm
- The Dual Clam Shells offer increased range of tilt, swivel and rotation
- The 3" Arm allows the user to bring the device closer to them and position it more ergonomically
- The Dual Clam Shell with 3" Arm can be purchased with a Small Plate or a Large Plate



PAGE 69

FORKLIFT HORIZONTAL EXTENSION ACCESSORY (7160-0363)

Features/Benefits

- The arm allows the user to position the device up to 15.34" horizontally from the inside of the overhead guard leg
- Allows for multiple system configurations based on style of forklift and computer configuration
- Can be mounted in conjunction with Clam Shell with Small Plate (7160-0357), Forklift 0-90 Clevis with Small Plate (7160-0364), Forklift Dual Clam Shell with Small Plate (7160-0366) or Forklift Dual Clam Shell with 3" Arm and Small Plate (7160-0420)



PAGE 69

FORKLIFT OVERHEAD GUARD MOUNT WITH CLAM SHELL (7160-0368)

Features/Benefits

- The Overhead Guard mount allows users to mount the device from the top of the forklift
- The arm extends down 8.0" from the top of the forklift
- Tilts up to 160° total and swivels 360°



PAGE 70

MOBILE DEMAND T1200 KEYBOARD BRACKET (7170-0191)

Features/Benefits

- Designed for use with the Mobile Demand T1200 Cradle (sold through Mobile Demand)
- Mounts directly to the underside of the cradle
- Provides an ergonomic, articulating solution for the keyboard



PAGE 68

ROLL FORM BRACKET (7160-0418)

Features/Benefits

- Bracket allows system to be mounted on a forklift roll form overhead guard leg
- Can be mounted directly to any Clam Shell or Horizontal Extension



PAGE 70

Barcode Scanner/Mobile Computer Mount (7160-0499)

Features/Benefits

- Designed to be used with most handheld barcode scanners or mobile computers
- Adjustable lever allows the lower section to be moved to a desired position or locked into place
- The device can be placed in either the lower or upper section depending on best ergonomic position

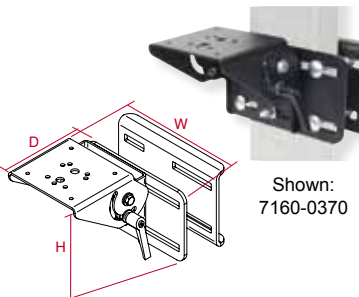
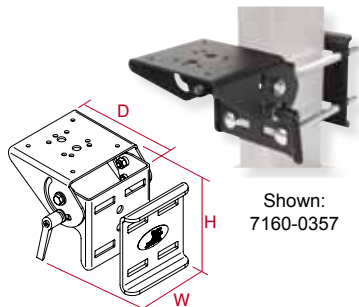
Forklifts

Clam Shells

Item No.	Description	Placement	Tilt	Rotates	Weight	Height	Width	Depth
7160-0357	Clam Shell with Small Plate	Attaches to rectangular overhead guard leg 1.5" to 2.5" wide	Yes - up to 160° total	No	3.97 lbs.	4.6"	6.26"	5.1"
7160-0370	Clam Shell with Large Plate	Attaches to rectangular overhead guard leg 2.5" to 5.0" wide	Yes - up to 160° total	No	5.8 lbs.	4.6"	6.8"	5.28"

Features

- Heavy gauge steel construction for long-term durability in a rugged environment
- Black powdercoat finish for maximum corrosion resistance
- *Clam Shell* features the following hole patterns: AMPS, NEC & 75mm VESA (see pg. 4 for hole pattern definitions)
- The *Clam Shell* can be tilted up or down for a total of 160°
- To tilt the *Clam Shell* simply loosen the adjustable lever, tilt to desired position and then re-tighten the lever
- A secondary bolt is included to lock the clam shell into a permanent position
- Plate sandwiches the overhead guard leg and allows user to position the device at the desired height position

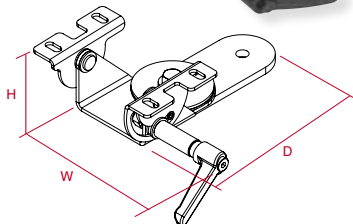


Forklift 0-90 Clevis

Item No.	Description	Placement	Tilt	Rotates	Weight	Height	Width	Depth
7160-0356	Forklift 0-90 Clevis	Attaches to any <i>Clam Shell</i> (Item No. 7160-0357, 7160-0370, 7160-0371)	Yes - up to 90° fore/ 30° aft	Motion Attachment - 360° Entire arm - 360°	3.28 lbs.	3.5"	8.06"	6.63"

Features

- Heavy gauge steel construction for long-term durability in a rugged environment
- Black powdercoat finish for maximum corrosion resistance
- The entire arm can rotate around 360° and the Motion Attachment can also rotate 360°
- Arm extends 3" bringing equipment closer to the user
- Arm can be tightened down to be locked into a permanent position
- Motion Attachment:
 - Tilt capabilities:
 - 90° forward allows for tablets to be easily mounted
 - 30° aft movement with a positive stop at 30°
 - Riveted design allows for smoother tilt movement
- Easier installation:
 - Open throat design for ease of mounting to docking stations and cradles
- Can be mounted directly to any *Clam Shell* (Item No. 7160-0357, 7160-0370, 7160-0371)

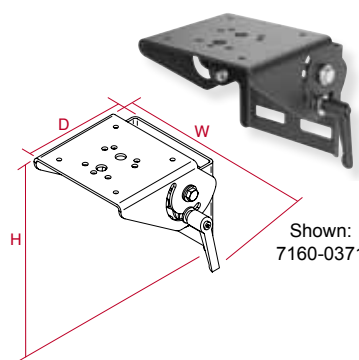


Forklift Secondary Clam Shell

Item No.	Description	Placement	Tilt	Rotates	Weight	Height	Width	Depth
7160-0371	Forklift Secondary Clam Shell	Attaches to any <i>Clam Shell</i> (Item No. 7160-0357, 7160-0370) for additional articulation	Yes - up to 160° total	Motion Attachment - 360°	1.72 lbs.	4.6"	5.97"	5.17"

Features

- Heavy gauge steel construction for long-term durability in a rugged environment
- Black powdercoat finish for maximum corrosion resistance
- *Clam Shell* features the following hole patterns: AMPS, NEC & 75mm VESA (see pg. 4 for hole pattern definitions)
- The *Clam Shell* can be tilted up or down for a total of 160°
- To tilt the *Clam Shell* simply loosen the adjustable lever, tilt to desired position and then re-tighten the lever
- A secondary bolt is included to lock the clam shell into a permanent position
- Can be mounted directly to the *Clam Shell with Small Plate* (Item No. 7160-0357) or *Clam Shell with Large Plate* (Item No. 7160-0370), when attached to plate device the clam shell can rotate 360°

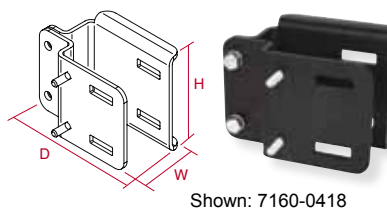


Roll Formed Pillar Bracket

Item No.	Description	Placement	Tilt	Rotates	Weight	Height	Width	Depth
7160-0418	Roll Formed Pillar Bracket	Attaches to any <i>Clam Shell</i> (Item No. 7160-0371) or <i>Horizontal Extension</i> (Item No. 7160-0363)	No	No	2.7 lbs.	4.72"	5.82"	3.43"

Features

- Heavy gauge steel construction for long-term durability in a rugged environment
- Black powdercoat finish for maximum corrosion resistance
- Bracket allows system to be mounted on forklift roll form overhead guard leg
- Can be mounted directly to any *Clam Shell* (Item No. 7160-0371) or *Horizontal Extension* (Item No. 7160-0363)



Forklift Combination Solutions

Item No.	Description	Placement	Tilt	Rotates	Weight	Height	Width	Depth
7160-0364	Forklift 0-90 Clevis with Small Plate (solution consists of Item No. 7160-0357 and 7160-0356)	Attaches to rectangular overhead guard leg 1.5" to 2.5" wide	Yes - up to 90° fore/30° aft	Motion Attachment - 360° Entire arm - 360°	7.25 lbs.	8.1"	8.1"	9.5"
7160-0365	Forklift 0-90 Clevis with Large Plate (solution consists of Item No. 7160-0370 and 7160-0356)	Attaches to rectangular overhead guard leg 2.5" to 5.0" wide	Yes - up to 90° fore/30° aft	Motion Attachment - 360° Entire arm - 360°	9.1 lbs.	8.1"	8.1"	9.7"
7160-0366	Forklift Dual Clam Shell with Small Plate (solution consists of Item No. 7160-0357 and 7160-0371)	Attaches to rectangular overhead guard leg 1.5" to 2.5" wide	Yes - consists of two Clam Shells that each tilt 160° total	Motion Attachment - 360°	5.7 lbs.	9.77"	7.26"	6.96"
7160-0367	Forklift Dual Clam Shell with Large Plate (solution consists of Item No. 7160-0370 and 7160-0371)	Attaches to rectangular overhead guard leg 2.5" to 5.0" wide	Yes - consists of two Clam Shells that each tilt 160° total	Motion Attachment - 360°	7.5 lbs.	9.77"	8.26"	7.14"
7160-0420	Forklift Dual Clam Shell with 3" Arm and Small Plate (solution consists of Item No. 7160-0370 and 7160-0356 and a 3" Arm)	Attaches to rectangular overhead guard leg 1.5" to 2.5" wide	Yes - consists of two Clam Shells that each tilt 160° total	Motion Attachment - 360° Entire arm - 360°	7.47 lbs.	10.08"	7.43"	9.96"
7160-0421	Forklift Dual Clam Shell with 3" Arm and Large Plate (solution consists of Item No. 7160-0370 and 7160-0356 and a 3" Arm)	Attaches to rectangular overhead guard leg 2.5" to 5.0" wide	Yes - consists of two Clam Shells that each tilt 160° total	Motion Attachment - 360° Entire arm - 360°	9.31 lbs.	10.08"	8.27"	10.14"

Forklift Accessories

Item No.	Description	Placement	Tilt	Rotates	Weight	Height	Width	Depth
7160-0368	Forklift Horizontal Extension	Attaches to rectangular overhead guard leg 1.5" to 5.0" wide	No	No	6.77 lbs.	4.36"	19.0"	1.18"

Features

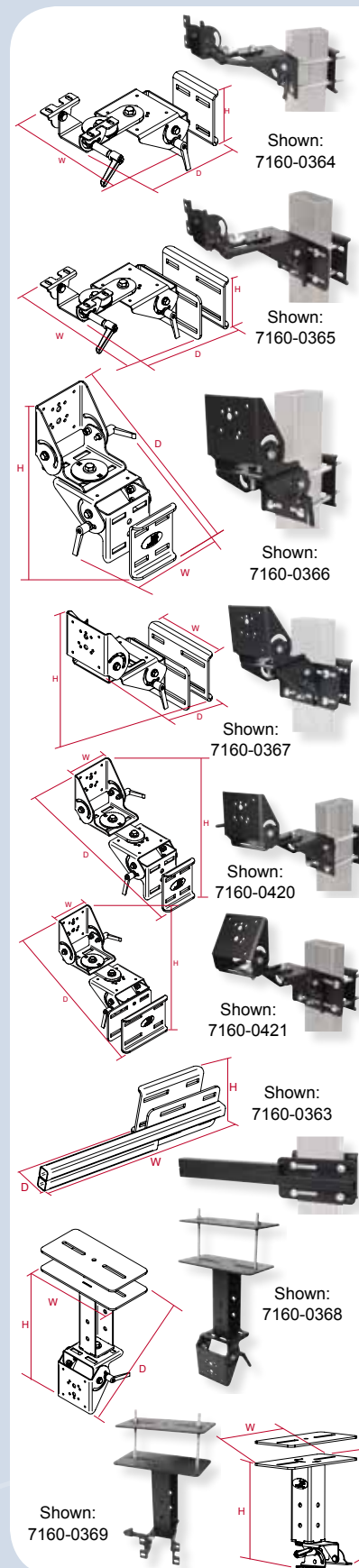
- Heavy gauge steel construction for long-term durability in a rugged environment
- Black powdercoat finish for maximum corrosion resistance
- The arm allows the user to position the device up to 15.34" horizontally from the inside of the overhead guard leg
- Allows for multiple system configurations based on style of forklift and computer configuration
- Can be mounted in conjunction with *Clam Shell with Small Plate* (Item No. 7160-0357), *Forklift 0-90 Clevis with Small Plate* (Item No. 7160-0364), *Forklift Dual Clam Shell with Small Plate* (Item No. 7160-0366) or *Forklift Dual Clam Shell with 3" Arm and Small Plate* (Item No. 7160-0420)

Overhead Guard Mount

Item No.	Description	Placement	Tilt	Rotates	Weight	Height	Width	Depth
7160-0368	Overhead Guard Mount with Clam Shell	Attaches directly to the Overhead Guard	Yes - up to 160° total	Motion Attachment - 360°	9.25 lbs.	13.15"	10.0"	5.6"
7160-0369	Overhead Guard Mount with 0-90 Clevis	Attaches directly to the Overhead Guard	Yes - up to 90° fore/30° aft	Motion Attachment - 360°	9.0 lbs.	11.17"	10.0"	5.13"

Features

- Heavy gauge steel construction for long-term durability in a rugged environment
- Black powdercoat finish for maximum corrosion resistance
- The Overhead Guard mount allows users to mount device from the top of the forklift cage
- The arm extends down 8.0" from the top of the forklift cage
- *Overhead Guard mount with Clam Shell* features the following hole patterns; AMPS, NEC, 75mm VESA (see pg. 4 for hole pattern definitions) and can tilt the device 160° total
- *Overhead Guard mount with 0-90 Clevis* can attach directly to any *Gamber-Johnson Docking Station Tablet* or can be combined with the *Universal Adapter Bracket* (Item No. 7160-0454) to be used with a display using a AMPS, NEC, 75mm/100mm VESA pattern (see pg. 4 for hole pattern definitions)
- 0-90 Clevis Motion Attachment:
 - Tilt capabilities:
 - 90° forward allows for tablets to be easily mounted
 - 30° aft movement with a positive stop at 30°
 - Riveted design allows for smoother tilt movement
- Easier installation:
 - Open throat design for ease of mounting to docking stations and cradles

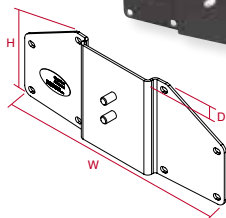


Forklifts



Shown:
7160-0493

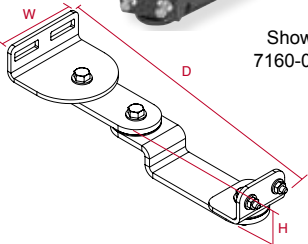
NEW



NEW



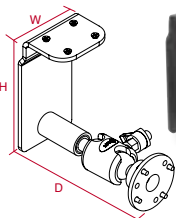
Shown:
7160-0504



NEW



Shown: 7160-0191



NEW



Shown: 15065

NEW



Shown:
7160-0499

Intermec CV61 Interface Plate

Item No.	Description	Placement	Weight	Height	Width	Depth
7160-0493	Interface plate for use with the Intermec CV61 computer display	In between the Intermec CV61 and any Gamber-Johnson <i>Clam Shell Forklift mount</i>	2.0 lbs.	5.0"	12.32"	0.82"

Features

- Heavy gauge steel construction for long-term durability in a rugged environment
- Black powdercoat finish for maximum corrosion resistance
- Designed to be used with the Intermec CV61 Computer Display
- Attaches directly to any Gamber-Johnson *Clam Shell* (Item No. 7160-0366, 7160-0367, 7160-0368, 7160-0420 or 7160-0421)
- Interface plate attaches directly to the CV61 using the existing Intermec hole pattern

Clam Shell Keyboard Bracket

Item No.	Description	Placement	Weight	Height	Width	Depth
7160-0504	Clam Shell Keyboard Bracket	Attaches to the underside of any <i>Clam Shell</i> against the overhead guard pillar	3.0 lbs.	1.63"	3.75"	12.25"

Features

- Heavy gauge steel construction for long-term durability in a rugged environment
- Black powdercoat finish for maximum corrosion resistance
- Articulating keyboard arm is designed for use with any Gamber-Johnson *Clam Shell* (Item No. 7160-0366, 7160-0367, 7160-0368, 7160-0420 or 7160-0421)
- Mount underneath the clam shell to the bracket that is against the overhead guard pillar
- Bracket is compatible with any Gamber-Johnson *Keyboard Tray Assemblies*

Mobile Demand T1200 Keyboard Bracket

Item No.	Placement	Weight	Height	Width	Depth
7170-0191	Attaches to the underside of the Mobile Demand T1200 Cradle	1.7 lbs.	5.43"	2.75"	6.7"

Features

- Heavy gauge steel construction for long-term durability in a rugged environment
- Black powdercoat finish for maximum corrosion resistance
- Designed for use with the Mobile Demand T1200 Cradle (**sold through Mobile Demand separately**)
- Mounts directly to the underside of the docking station or cradle
- Provides an ergonomic, articulating solution for the keyboard

2" Tube Clamp

Item No.	Placement	Weight
15065	Attaches to the overhead guard leg or tube style frame	0.44 lbs.

Features

- Mounts a Gamber-Johnson *Clam Shell* to a 2" or less tube style frame or overhead guard leg

Barcode Scanner/Mobile Computer Mount

Item No.	Description	Placement	Weight	Height	Width	Depth
7160-0499	Mounting bracket for most Barcode Scanner Guns and Mobile Computers	Attaches to rectangular overhead guard leg 1.5" to 5.0" wide	4.40 lbs.	7.0"	6.9"	9.2"

Features

- Heavy gauge steel construction for long-term durability in a rugged environment
- Black powdercoat finish for maximum corrosion resistance
- Designed to be used with most handheld barcode scanners and mobile computers
- Adjustable lever allows the lower section to be moved to a desired position or locked into place
- The device can be placed in either the lower or upper section depending on best ergonomic position
- The mount can work with wireless or wired devices
- Can be used with the *Roll Formed Bracket* (Item No. 7160-0418) if the overhead guard is Roll Formed

Keyboards / Printer Mounts

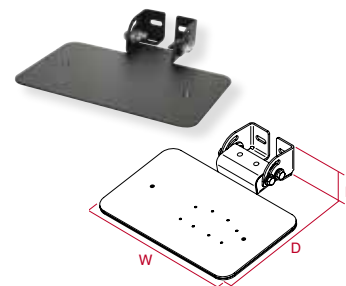
Universal Keyboard Tray Assembly

Item No.	Placement	Tilt	Weight	Height	Width	Depth
7160-0210	Attaches to pre-drilled holes on <i>Rack-to-Post Platform</i> (Item No. DS-74 or DS-74-L) or <i>Keyboard Articulating Arm</i> (Item No. KEYBOARD-ARM)	Yes - up to 90° up and 10° down	3.65 lbs.	1.75"	10.0"	9.0"

Features

- Heavy gauge steel for long-term durability
- Black powdercoat finish for maximum corrosion resistance
- Fits virtually any keyboard
- Ideal solution when employing pen-base computers or 3-piece modular systems
- Keyboard is attached to the tray using dual lock (dual lock is rated for 200° F)
- Keyboard tray can easily be removed by using the two thumb screws located underneath the tray in order to place keyboard on the lap if needed
- Keyboard tilts down 10° to a positive stop and 90° up for clearance to electronics located in the console box
- Keyboard tray was shock tested to MIL-STD-810G (75G, 8 millisecond) on all axes
- Can be used with *Keyboard Articulating Arm* (Item No. KEYBOARD-ARM) to give more range of motion

Note: Keyboard tray includes a hole pattern specific to the Panasonic PDRC keyboard



Shown: 7160-0210

Quick Release Keyboard Tray Assembly

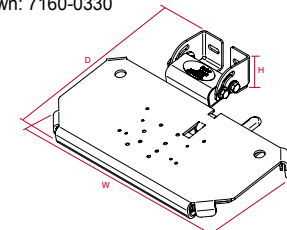
Item No.	Placement	Width Adjustable	Weight	Height	Width	Depth
7160-0330	Attaches to pre-drilled holes on <i>Rack-to-Post Platform</i> (Item No. DS-74) or <i>Keyboard Articulating Arm</i> (Item No. KEYBOARD-ARM)	Yes - up to 90° up and 10° down	4.45 lbs.	1.71"	12.86"	8.67"

Features

- Heavy gauge steel base plate construction for long-term durability
- Aluminum keyboard plate for reduced weight
- Black powdercoat finish for maximum corrosion resistance
- Keyboard plate features hole patterns: PDRC Keyboard, I-Key Keyboard and a Standard Amps pattern.
- Keyboard can easily be removed using the latching lever in the back and allows for one-handed release
- Keyboard can be comfortably placed in the operators lap for typing
- When done keyboard snaps back onto the steel base plate with an audible click that indicates an engaged latch
- Keyboard tilts down 10° to a positive stop and 90° up for clearance to electronics located in the console box
- Can be used with *Keyboard Articulating Arm* (Item No. KEYBOARD-ARM) to give more range of motion
- Testing: MIL-STD-810G, crash hazard, minimum integrity vibration testing, and functional shock



Shown: 7160-0330



Quick Release Keyboard Tray Assembly for use with Motion Attachment

Item No.	Placement	Weight	Height	Width	Depth
7160-0498	Attaches to any Gamber-Johnson Motion Attachment	3.65 lbs.	1.40"	12.71"	7.10"

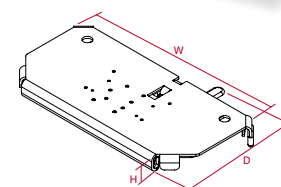
Features

- Heavy gauge steel base plate construction for long-term durability
- Aluminum keyboard plate for reduced weight
- Black powdercoat finish for maximum corrosion resistance
- Keyboard plate features hole patterns: PDRC Keyboard, I-Key Keyboard, Man & Machine Keyboard and a Standard AMPS pattern
- Keyboard can easily be removed using the latching lever in the back and allows for one-handed release
- Keyboard can be comfortably placed in the operators lap for typing
- When done keyboard snaps back onto the steel base plate with an audible click that indicates an engaged latch
- Any Gamber-Johnson Motion Attachment can be attached to the bottom of the keyboard tray
- Can be used with *Tablet Display Mount* (Item No. 7160-0494) (pg. 80)

NEW



Shown: 7160-0498



Articulating Arm for Keyboard Mount

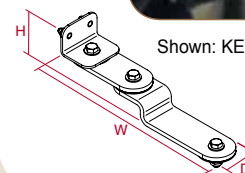
Item No.	Placement	Width Adjustable	Weight	Height	Width	Depth
KEYBOARD-ARM	Attaches to any <i>Pole</i> using <i>Keyboard Bracket</i> (see pg 65)	Yes - from 2.0" to 10.0"	2.0 lbs.	1.5"	10.0"	2.0"

Features

- Heavy gauge steel construction for long-term durability
- Black powdercoat finish for maximum corrosion resistance
- Keyboard arm extends the keyboard 10" positioning it close to the user or moved away when not in use



Shown: KEYBOARD-ARM



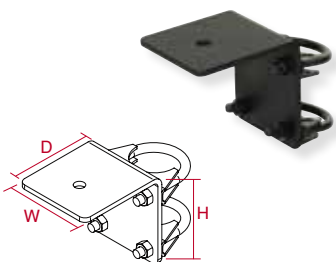
Keyboards / Printer Mounts

Keyboard Bracket

Item No.	Placement	Weight	Height	Width	Depth
KEYBOARD-BRKT	Secures to any <i>Lower Tube</i> or any <i>Vehicle Base</i> with a welded pole	1.0 lb.	3.5"	3.5"	3.0"

Features

- Heavy gauge steel construction for long-term durability
- Black powdercoat finish for maximum corrosion resistance
- Pre-drilled holes attach to *Item No. KEYBOARD-ARM*
- Two muffler clamps are included for securing to pole



Shown: KEYBOARD-BRKT

brother
at your side



Shown: PocketJet 6



Shown: PocketJet 6 Plus



Shown:14331



Shown:14332

Brother PocketJet 6 & PocketJet 6 Plus Printers

Item No.	Placement	Interfaces	Printer Resolution	Weight	Height	Width	Depth
14327	Attaches to any Gamber-Johnson Brother PocketJet Printer Mount (<i>Item No. 7160-0006, 7160-0126, and 7160-0035</i>)	USB	203 x 200 dpi	1.4 lbs.	1.18"	10.04"	2.17"
14328	Attaches to any Gamber-Johnson Brother PocketJet Printer Mount (<i>Item No. 7160-0006, 7160-0126, and 7160-0035</i>)	USB	300 x 300 dpi	1.4 lbs.	1.18"	10.04"	2.17"
14329	Attaches to any Gamber-Johnson Brother PocketJet Printer Mount (<i>Item No. 7160-0006, 7160-0126, and 7160-0035</i>)	Bluetooth	203 x 200 dpi	1.4 lbs.	1.18"	10.04"	2.17"
14330	Attaches to any Gamber-Johnson Brother PocketJet Printer Mount (<i>Item No. 7160-0006, 7160-0126, and 7160-0035</i>)	Bluetooth	300 x 300 dpi	1.4 lbs.	1.18"	10.04"	2.17"

Features

- Prints on 8.5" wide thermal media - cut sheets for letter and legal size documents, continuous roll paper for longer printouts and perforated roll and fanfold paper
- Fast mobile printing - up to 6 ppm
- USB and IrDA interfaces
- NiMH battery included with printer
- Low maintenance costs - no ink or ribbons to replace
- Compact size fits in places where space is limited
- Lightweight - less than 1.4 lbs. including NiMH battery
- Direct thermal technology is less susceptible to temperature and humidity extremes
- Operating Systems Supported: Windows XP/Vista/7; Mac OS TBD; Windows Mobile; BlackBerry OS
- 1 year limited warranty by Brother.

Brother PocketJet 6 & PocketJet 6 Plus Printer Accessories

Item No.	Description
14331	Power Car Adapter - wired 14 Foot for use with PocketJet 3, 3 Plus, 6, 6 Plus Printers
14332	USB Cable - 4 Foot for use with PocketJet 3, 3 Plus, 6, 6 Plus Printers

Brother Armrest Printer Mount

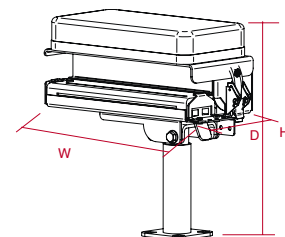
Item No.	Placement	Drilling Required	Weight	Height	Width	Depth
7160-0006	On top of any <i>MCS Top Plate</i> or any flat stable surface	No - attaches to any <i>MCS Top Plate</i> (see pg 49)	11.25 lbs.	15.0" (includes 5" pole)	5.5"	11.6"

Features

- Convenient flip-up armrest and printer mount all in one
- Heavy gauge steel construction for long-term durability
- Black powdercoat finish for maximum corrosion resistance
- For use with the following Brother printers:
 PocketJet 200 PocketJet 3 PocketJet 6
 PocketJet II PocketJet 3 Plus PocketJet 6 Plus (NiMH battery only)
- Mount holds printer and paper roll in separate lockdown tray
- Paper roll is enclosed to protect from dirt and dust
- The cover latches shut and can be used with a padlock for extra security
- Indicator lights and on/off button are easy to see and accessible when the cover is closed
- Paper deflector prevents paper from curling up and jamming
- Cable strain relief protects connector interface on the printer engine from damage
- Printer can be easily removed from the mount for use outside of the vehicle
- Paper feeds out the side towards the driver (Paper and printer not included)
- The cover latches shut and can be used with a padlock for extra security



Shown: 7160-0006



Brother PocketJet Series Mount for use with Harley-Davidson Motorcycle Mount

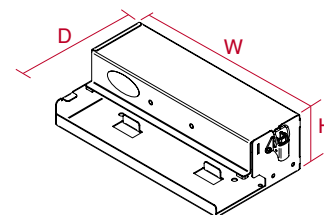
Item No.	Placement	Drilling Required	Weight	Height	Width	Depth
7160-0035	Secures to the <i>Harley-Davidson Police Tour-Pak</i> (Item No. 7160-0352)	No	2.34 lbs.	3.25"	12.25"	5.25"

Features

- Heavy gauge steel construction for long-term durability
- Black powdercoat finish for maximum corrosion resistance
- For use with the following Brother printers:
 PocketJet 200 PocketJet 3 PocketJet 6
 PocketJet II PocketJet 3 Plus PocketJet 6 Plus (NiMH battery only)
- Mount holds printer and paper roll in separate lockdown tray
- There is no drilling required if mounting to the *Harley-Davidson Police Tour-Pak* (Item No. 7160-0352) (pg. 25)
- Roll paper is enclosed to protect from prolonged exposure to direct sunlight
- Paper and printer not included



Shown: 7160-0035



Brother PocketJet Series Mount

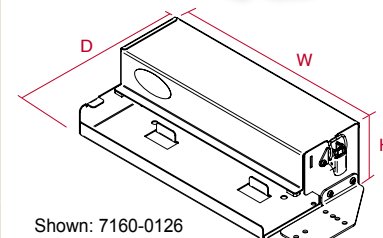
Item No.	Placement	Description	Weight	Height	Width	Depth	Misc
7160-0126	Secures to the <i>Rack-to-Post Platform</i> (Item No. DS-74 or DS-74-L), then secured to any <i>Lower Tube, Vehicle Base</i> with a welded pole or onto any flat, stable surface	Printer/Paper Roll Housing with optional bolt-on cable strain relief	2.34 lbs.	3.25"	12.25"	5.25"	Holds printer and paper roll in separate trays. Cable strain relief protects connector interface on the printer engine from damage

Features

- Heavy gauge steel construction for long-term durability
- Black powdercoat finish for maximum corrosion resistance
- For use with the following Brother printers:
 PocketJet 200 PocketJet 3 PocketJet 6
 PocketJet II PocketJet 3 Plus PocketJet 6 Plus (NiMH battery only)
- Mount holds printer and paper roll in separate lockdown tray
- New wire draw latch provides a secure fit to reduce vibration noise
- Bolt-on cable restraint provide cable management options if desired
- There is no drilling required if mounting to a *Rack-to-Post* (Item No. DS-74 or DS-74-L), otherwise drilling is required for most other applications
- Can be mounted to **Motion Attachment** (Item No. 7160-0419) and is attached using the PEM layout on the bottom of the mount
- Roll paper is enclosed to protect from prolonged exposure to direct sunlight
- Paper roll cut-out allows for vertical orientation as well as horizontal orientation
- Printer can be easily removed from the mount for use outside of the vehicle
- Paper and printer not included



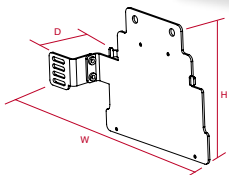
Shown: 7160-0126



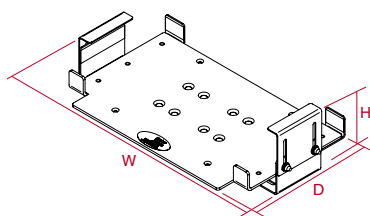
Keyboards / Printer Mounts



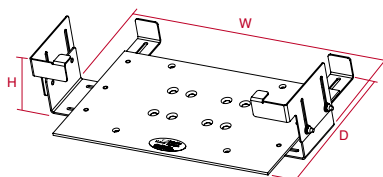
Shown: 7160-0425



Shown: 7160-0392



Shown: 7160-0507



Brother RuggedJet Printer Mount

Item No.	Placement	Weight	Height	Width	Depth
7160-0425	Secures to the <i>Rack-to-Post Platform</i> (Item No. DS-74 or DS-74-L), any Lower Pole, Vehicle Base with a welded pole or onto any flat stable surface	2.15 lbs.	2.12" to 3.38"	12.5" to 14.62"	7.62" to 8.88"

Features

- Bracket allows the Brother RuggedJet™ RJ-4030 or RJ-4040 mobile printer to be mounted in a vertical or horizontal orientation
- Optional removable cable restraint
- Allows installation of paper roll while mounted
- Works with Brother's optional card reader
- This is not a quick release mount

Canon i70|i80|i90|i100 and HP100|HP450|HP460|HP470 Printer Mount

Item No.	Placement	Drilling Required	Weight	Height	Width	Depth
7160-0392	Attaches to pre-drilled holes on <i>Rack-to-Post Platform</i> (Item No. DS-74 or DS-74-L)	No - if using a <i>Rack-to-Post Platform</i> (Item No. DS-74 or DS-74-L)	2.15 lbs.	2.12" to 3.38"	12.5" to 14.62"	7.62" to 8.88"

Features

- Heavy gauge steel construction for long-term durability
- Black powdercoat finish for maximum corrosion resistance
- Universal printer mount designed to be used with Canon i70/i80/i90/i100 and HP100/450/460/470 printers
- Adjustable side brackets allows the printer to be firmly seated
- Printer mount can be used with or without the optional battery pack
- For extra protection against shock and vibration, an *Isolator Plate* (Item No. 7160-0351) is recommended

HP150 All-in-One Mobile Printer

Item No.	Placement	Drilling Required	Weight	Height	Width	Depth
7160-0507	Attaches to pre-drilled holes on <i>Rack-to-Post Platform</i> (Item No. DS-74 or DS-74-L)	No - if using a <i>Rack-to-Post Platform</i> (Item No. DS-74 or DS-74-L)	2.2 lbs.	4.24"	14.56"	8.80"

Features

- Heavy gauge steel construction for long-term durability
- Black powdercoat finish for maximum corrosion resistance
- Printer mount designed to be used with HP150 All-in-One Printer
- For extra protection against shock and vibration, an *Isolator Plate* (Item No. 7160-0351) is recommended

Universal Computer Cradles



NOTEPAD™V (7160-0250) INSTALLED IN CHEVORLET IMPALA

Features/Benefits

- Special "flanged" side clip design provides superior strength and can be easily adjusted
- Reversible front and back supports adjust to accommodate varying depths of computers
- Rear support brace is gusseted for added restraint
- 90° wing turn closure latch allows for quick computer insertion and removal
- Adjusts to fit computer widths from 11.75" to 18.25"



7170-0126 INSTALLED IN FORD SUPER-DUTY

Features/Benefits

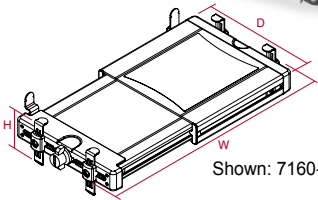
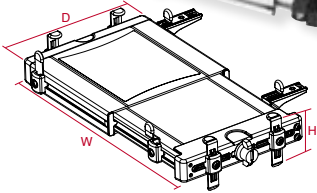
- Uses passenger seat to firmly secure the base into the vehicle
- 5" QUAD MOTION ATTACHMENT brings equipment close to the user
- NotePad™ V Universal Computer Cradle is included

Universal Computer Cradles

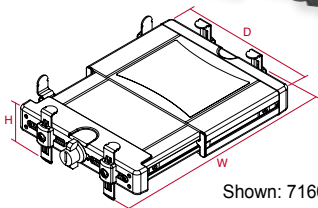
Universal Computer Mount - NotePad™ V



Shown:
7160-0250



Shown: 7160-0250-02



Shown: 7160-0402

Item No.	Description	Placement	Width Adjustable	Depth Adjustable	Thickness Adjustable	Weight	Overall Height	Overall Width	Overall Depth
7160-0250	For use with most computers (Dell, HP, Sony, Toshiba, Gateway, Samsung, Compaq, Asus, etc...)	Pre-drilled, threaded holes align with any Gamber-Johnson Motion Attachment . Multiple mounting holes allows the computer mount to be offset to avoid other equipment, if necessary	Yes - adjusts to computer widths from 10.62" - 16.5"	Yes - adjusts to computer depths from 9.0" - 12.38"	Yes - adjusts to computer thickness (measured with screen open) from 0" - 1.5"	6.5 lbs	1.62"	11.75" to 18.25"	9.5"
7160-0250-01	For use with Rugged Computer Laptops that exceed 1.5" in thickness (Panasonic Toughbook 30 and 31, Dell XFR, etc...)	Pre-drilled, threaded holes align with any Gamber-Johnson Motion Attachment . Multiple mounting holes allows the computer mount to be offset to avoid other equipment, if necessary	Yes - adjusts to computer widths from 10.62" - 16.5"	Yes - adjusts to computer depths from 9.0" - 12.38"	Yes - adjusts to computer thickness (measured with screen open) from 0.12" - 2.0"	6.5 lbs	1.62"	11.75" to 18.25"	9.5"
7160-0250-02	For use with computers where the keyboard extends to the left and right edge of the computer	Pre-drilled, threaded holes align with any Gamber-Johnson Motion Attachment . Multiple mounting holes allows the computer mount to be offset to avoid other equipment, if necessary	Yes - adjusts to computer widths from 10.62" - 16.5"	Yes - adjusts to computer depths from 9.0" - 12.38"	Yes - adjusts to computer thickness (measured with screen open) from 0" - 1.5"	6.5 lbs	1.62"	11.75" to 18.25"	9.5"
7160-0402	For use with small computers (netbooks)	Pre-drilled, threaded holes align with any Gamber-Johnson Motion Attachment . Multiple mounting holes allows the computer mount to be offset to avoid other equipment, if necessary	Yes - adjusts to computer widths from 8.2" - 11.8"	Yes - adjusts to computer depths from 7.58"-9.33"	Yes - adjusts to computer thickness (measured with screen open) from 0" - 1.5"	5.5 lbs	1.62"	9.6" to 13.2"	9.5"

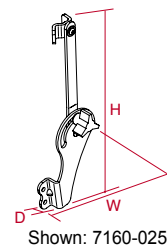
Features

- Heavy-duty extruded aluminum construction for long-term durability
- Slim form design provides low mounting capability
- Special "flanged" side clip design provides superior strength and can be easily adjusted they:
 - are "one-size-fits-all", work with most computers
 - feature T-molded polycarbonate covers that hold clips in place during installation for easy height adjustment
- Reversible front and back supports adjust to accommodate varying depths of computers
- Rear support brace is gusseted for added restraint
- 90° wing turn closure latch
 - allows for fast initial size adjustment
 - allows for quick computer insertion and removal
 - *has built-in heavy duty key lock (keyed alike)
- Molded polycarbonate end caps ensure that the computer is level when in the cradle
- Sliding mounting bar on the bottom allows for multiple positions for offset capabilities when used with a the **Motion Attachment**
- Passed 30 mph crash tested per SAE J1455 standard
- Can be used with optional accessories to further capabilities in the field

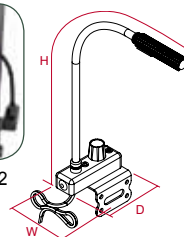
***Note** - The NotePad™ V side clips and key lock are designed to securely hold the laptop in the mount and to deter theft, not prevent it. Gamber-Johnson recommends taking your laptop out of the vehicle when not in use.

Universal Computer Mount - NotePad™ V Clip Packages

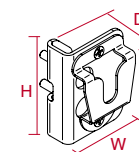
Item No.	Description	Placement	Weight
7120-0519	Tall Clip Package for use with Rugged Computer Laptops that exceed 1.5" in thickness (Panasonic Toughbook 30 and 31, Dell XFR, etc...) Note: buy this only if you already have a NotePad™ V Universal Computer Mount (Item No. 7160-0250)	Replaces the clips on the NotePad™ V Universal Computer Mount (Item No. 7160-0250).	0.25 lbs
7120-0531	NotePad™ V Universal Computer Mount Clip Package for use with Lenovo computers (Lenovo X200, X201, X201 Tablet, T410, T410s, T510, L412, L512, W510) Note: buy this only if you already have a NotePad™ V Universal Computer Mount (Item No. 7160-0250)	Replaces the clips on the NotePad™ V Universal Computer Mount (Item No. 7160-0250).	0.35 lbs
7120-0587	Cam Clip Package used with a smaller notebook, convertible tablet or tablet format Note: buy this only if you already have a NotePad™ V Universal Computer Mount (Item No. 7160-0250) or the NotePad™ V-LT Universal Computer Mount (Item No. 7160-0402)	Replaces the clips on the NotePad™ V Universal Computer Mount (Item No. 7160-0250) or the NotePad™ V-LT Universal Computer Mount (Item No. 7160-0402)	0.30 lbs



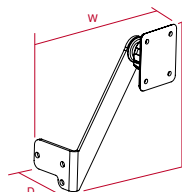
Shown: 7160-0251



Shown: 7160-0252



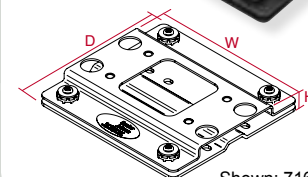
Shown: 7160-0253



Shown: 7160-0343



Shown: 14361



Shown: 7160-0351

Universal Computer Mount - NotePad™ V Accessories

Item No.	Description	Placement	Weight	Height	Width	Depth
7160-0251	Screen Support for NotePad™ V with the standard clip package	Attaches to the back right corner using pre-drilled slots on the NotePad™ V Universal Computer Mount (Item No. 7160-0250, 7160-0250-02 or 7160-0402)	0.50 lbs	8.75"	2.5"	1.5"
7160-0251-01	Screen Support for NotePad™ V with the tall clip package	Attaches to the back right corner using pre-drilled slots on the NotePad™ V Universal Computer Mount (Item No. 7160-0250-01)	0.50 lbs	8.75"	2.5"	1.5"
7160-0252	LED Light Assembly	Attaches to any corner using pre-drilled slots on any NotePad™ V Universal Computer Mount	0.50 lbs	17.0"	2.5"	1.56"
7160-0253	Microphone Clip	Attaches to any corner using pre-drilled slots on any NotePad™ V Universal Computer Mount	0.15 lbs	2.12"	1.5"	1.0"
7160-0343	Cell phone bracket	Attaches to the right side of any NotePad™ V Universal Computer Mount and can be used with Mini-Grip Universal Holder (Item No. 14361)	0.25 lbs	5.7"	3.89"	3.06"
14361	Adjustable Cell Phone Holder	Attaches to the Cell Phone Bracket (Item No. 7160-0343), the MAX3 Round Plate (Item No. 14144) or anything with an AMPS hole pattern	0.16 lbs.	3.5"	2.5" to 4.0"	2.0"
7160-0351	Shock/Vibration Isolator Plate Note: Computer and Cradle combined should not exceed 30 lbs.	Positioned between any Motion Attachment and any NotePad™ V Universal Computer Mount	2.43 lbs	0.85"	7.0"	6.5"

Universal Computer Cradles

Lind Shut Down Timer



Shown: 13791



Shown: 13792

Item No.	Description	Shut Down Delay	AMP Load	Weight	Height	Width	Depth
13791	Lind Ruggedized Shut Down Timer	Factory set at 2 hours	Up to 20 AMPS	0.30 lbs.	1.6"	3.0"	2.06"
13792	Lind Low Profile Shut Down Timer	Adjustable - 5 seconds to 4 hours	Up to 30 AMPS	0.30 lbs.	1.2"	3.8"	4.3"

Features

- Shut Down Timer (SDT) protects the automobile battery from over discharge by shutting OFF at a preset time after engine is shut down or battery discharged to a low voltage level
- SDT protects radio or computer equipment from damage due to low or high input voltage
- Low voltage shut down at 10.5 V DC
- High voltage shut down at 18 V DC with auto reset
- Automatic activation by sensing the battery voltage (battery not charging = timer ON)
- Optional activation by ignition switch connection (ignition OFF = timer ON)
- LED indicators

Universal NotePad™ Mount with Seatmount

Item No.	Placement	Width Adjustable	Depth Adjustable	Thickness Adjustable	Weight	Overall Height	Overall Width	Overall Depth
7170-0127 (Seatmount with NotePad™ V-LT and Quad-Motion TS5)	On passenger seat	Yes - adjusts to computer widths from 8.2" - 11.8"	Yes - adjusts to computer depths from 7.58" to 9.33"	Yes - adjusts to computer thickness (measured with screen open) from 0" to 1.5"	15.13 lbs.	12.0"	22.0"	24.5"
7170-0126 (Seatmount with NotePad™ V and Quad-Motion TS5)	On passenger seat	Yes - adjusts to computer widths from 10.62" - 16.5"	Yes - adjusts to computer depths from 9.0" to 12.38"	Yes - adjusts to computer thickness (measured with screen open) from 0" to 1.5"	16.13 lbs.	12.0"	22.0"	24.5"
7170-0192 (Seatmount with NotePad™ V-LT and 6" Articulating Arm)	On passenger seat	Yes - adjusts to computer widths from 8.2" - 11.8"	Yes - adjusts to computer depths from 7.58" to 9.33"	Yes - adjusts to computer thickness (measured with screen open) from 0" to 1.5"	14.7 lbs.	12.0"	22.0"	24.5"
7170-0193 (Seatmount with NotePad™ V and 6" Articulating Arm)	On passenger seat	Yes - adjusts to computer widths from 10.62" - 16.5"	Yes - adjusts to computer depths from 9.0" to 12.38"	Yes - adjusts to computer thickness (measured with screen open) from 0" to 1.5"	15.7 lbs.	12.0"	22.0"	24.5"

Universal NotePad™ Mount Features

- Please see the features for the NotePad™ V-LT Universal Mount (7160-0402) on page 76
- Please see the features for the NotePad™ V Universal Mount (7160-0250) on page 76

Seatmount Features

- Light-weight aluminum for reduced overall weight
- Uses passenger seat to firmly secure the base into the vehicle

Motion Attachmet Features

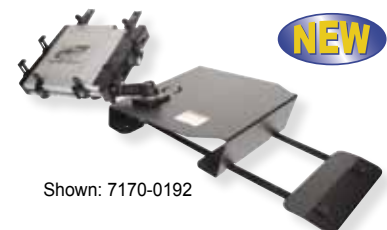
- Please see the features for the Quad-Motion TS5 (7160-0285) on page 35
- Please see the features for the 6" Articulating Arm (7160-0497) on page 34



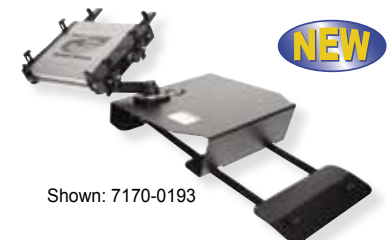
Shown: 7170-0127



Shown: 7170-0126



Shown: 7170-0192



Shown: 7170-0193



Computer Display Brackets



Tablet Display Bracket

Features/Benefits

- Display Mount can be used with any tablet or tablet docking station that has an AMPS, NEC, Gamber-Johnson or VESA 75 mm hole pattern
- The Display mount can be tilted downward 160° which helps provide easy access to the controls on the instrument panel
- Display Mount can be swiveled 60° right/60° left for optimal viewing positioning



Panasonic Toughbook PDRC Pedestal Solution

PEDESTAL SOLUTION WITH LOCKING KEYBOARD ARM (7170-0093)

Features/Benefits

- Compatible with both 10.4" and 12.1" ToughScreens
- Keyboard arm locks into place with an audible click when pushed into stowed position and has a button release feature
- Display can be tilted up to 80° forward/15° back toward the dash
- Display can be swiveled 60° right/60° left



Data 911 Pedestal Solution

PEDESTAL SOLUTION WITH LOCKING KEYBOARD ARM (7170-0100)

Features/Benefits

- Compatible with both 12" and 15" Data 911 Screen Displays
- Keyboard arm locks into place with an audible click when pushed into stowed position and has a button release feature
- Display can be tilted up to 80° forward/15° back toward the dash
- Display can be swiveled 60° right/60° left

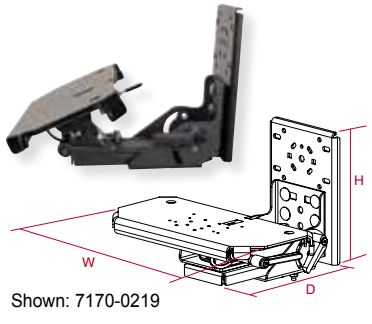
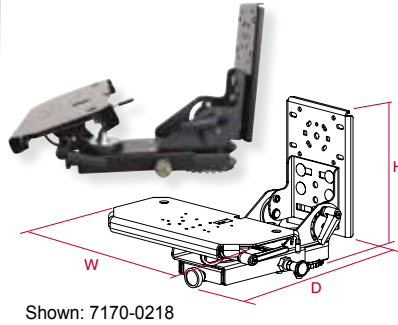
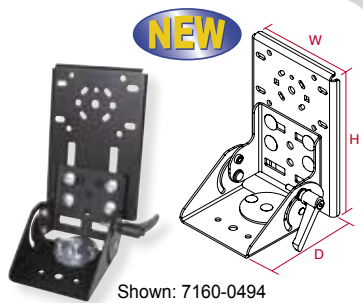
Computer Display Brackets

Tablet Display Mount

Item No.	Tilt	Swivel	Weight	Height	Width	Depth
7160-0494	Display can be tilted down 160° away from the dash	Display can be swiveled 60° right/60° left	3.85 lbs.	8.42" to 10.3" (entire mounting system will determine overall height)	6.79"	5.54"

Features

- The *Tablet Display Mount* can be placed on any Gamber-Johnson **Upper Pole**, the *Mongoose* (Item No. 7160-0220) or "smiley face" pattern found on a *MCS Console System* (ordered separately) allowing flexibility in how you want to adapt the tablet in a vehicle
- Display Mount can be used with any tablet or tablet docking station that has an AMPS, NEC, Gamber-Johnson or VESA 75mm hole pattern
- Display Mount can easility tilted down 160° away from the dashboard, providing easy access to the controls on the instrument panel
- Display Mount can be swiveled 60° right/60° left for optimal viewing positioning
- Display Mount is height adjustable to accommodate the various sizes of tablet computers and docking stations
- Can be used with the *Quick Release Keyboard Tray for Motion Attachment* (Item No. 7160-0498) and one of the following Motion Attachments to make a sliding keyboard:
 - *Quad-Motion TS3* (Item No. 7160-0284)
 - *Quad-Motion TS5* (Item No. 7160-0285)
 - *Mongoose* (Item No. 7160-0220)
- Limited lifetime warranty
- Heavy gauge steel construction for long-term durability
- Black powdercoat finish for maximum corrosion resistance

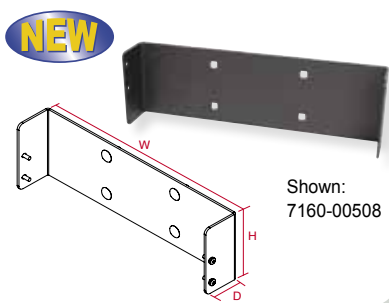


Tablet Display Mount Kits with Keyboard

Item No.	Description	Weight	Height	Width	Depth
7170-0217	Kit includes the <i>Tablet Display Mount</i> (Item No. 7160-0494), the 6" <i>Locking Slide Arm with 3/8" stud</i> (Item No. 7160-0514) and the <i>Keyboard</i> (Item No. 7160-0498)	13.0 lbs.	10.0" to 12.0" (entire mounting system will determine overall height)	12.88"	11.25"
7170-0218	Kit includes the <i>Tablet Display Mount</i> (Item No. 7160-0494), the <i>Mongoose</i> (Item No. 7160-0220) and the <i>Keyboard</i> (Item No. 7160-0498)	14.5 lbs.	9.88" to 11.75" (entire mounting system will determine overall height)	12.88"	13.62"
7170-0219	Kit includes the <i>Tablet Display Mount</i> (Item No. 7160-0494), the <i>Quad-Motion TS5</i> (Item No. 7160-0285) and the <i>Keyboard</i> (Item No. 7160-0498)	12.0 lbs.	8.38" to 10.25" (entire mounting system will determine overall height)	12.88"	11.18"

Tablet Display Mount Accessories

Item No.	Description	Weight	Height	Width	Depth
7160-0508	For use with <i>Tablet Display Mount</i> (Item No. 7160-0494) and is compatible with any Panasonic Toughbook PDRC computer display	1.7 lbs.	3.5"	11.34"	1.88"

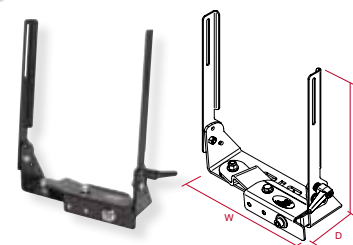


Computer Display Bracket

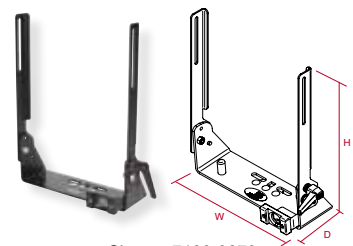
Item No.	Tilt	Swivel	Keyboard Arm	Weight	Height	Width	Depth
7160-0272	Display can be tilted up to 80° forward/15° back toward the dash	Display can be swiveled 60° right/60° left	Yes - includes locking keyboard arm	5.5 lbs.	12.5" to 16.5" (entire mounting system will determine overall height)	13.0"	5.1"
7160-0273	Display can be tilted up to 80° forward/15° back toward the dash	Display can be swiveled 60° right/60° left	No	4.0 lbs.	12.5" to 16.5" (entire mounting system will determine overall height)	13.0"	4.5"

Features

- The *Universal Display Bracket* mounting system can be placed on any Gamber-Johnson **Upper Pole** or "smiley face" pattern (MCS-COMBRKT or 7160-0237) device (ordered separately) allowing flexibility in how far the equipment extends away from the pole towards the user. The **Upper Pole** can either be placed on any **Lower Tube** or **Vehicle Base** with a welded pole which allows for flexibility in the systems height adjustment (ordered separately).
- Must order Computer Interface Plate separately
- Display can easily be tilted forward up to 80° or 15° back toward the dashboard. Locking holes provide a fixed screen lock at 5° back (user must supply locking pin). Display can be swiveled 60° right/60° left.
- Keyboard arm locks into place with an audible click when pushed into stow position; has a push button release feature
- Keyboard arm articulates towards the driver and can be tilted down 10° to a positive lock or 90° vertically
- Item No. 7160-0272 is compatible with either *Universal Keyboard Tray* (Item No. 7160-0210) ordered separately
- Heavy gauge steel construction for long-term durability
- Black powdercoat finish for maximum corrosion resistance



Shown: 7160-0272



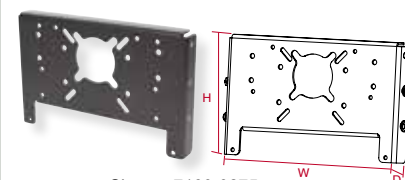
Shown: 7160-0273

Computer Display Interface Plates

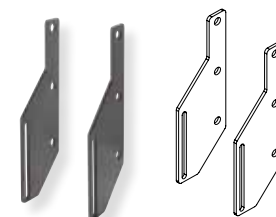
Item No.	Tilt	Weight	Height	Width	Depth
7160-0275	For use with <i>Universal Computer Display Brackets</i> (Item No. 7160-0272 or 7160-0273) Compatible with any computer screen displays with a 75mm or 100mm VESA hole pattern, RoboVu hole pattern, Motorola MW810 or Gamber-Johnson's 2x4 hole pattern	2.6 lbs	6.8"	10.8"	1.2"
7160-0276	For use with <i>Universal Computer Display Brackets</i> (Item No. 7160-0272 or 7160-0273) Compatible with any Panasonic Toughbook PDR computer displays	0.5 lbs	6.0"	NA	2.13"
7160-0277	For use with <i>Universal Computer Display Brackets</i> (Item No. 7160-0272 or 7160-0273) Compatible with any Gamber-Johnson <i>Panasonic Toughbook 19 Docking Station or Cradle</i> (7160-0264-00, 7160-0264-02, 7160-0264-05)	3.0 lbs	6.8"	10.8"	1.2"
7160-0302	For use with <i>Universal Computer Display Brackets</i> (Item No. 7160-0272 or 7160-0273) Compatible with either 10.4", 12" or 15" Data 911 Computer Screen Displays	1.7 lbs	10.4" Display Orientation: 6.3" 12" Display Orientation: 5.7" 15" Display Orientation: 8.3"	10.3"	10.4" & 12" Display Orientation: 1.4" 15" Display Orientation: 1.5"

Features

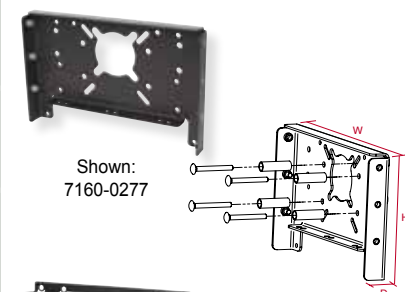
- For use with *Universal Computer Display Brackets* (Item No. 7160-0272 or 7160-0273) ordered separately
- Heavy gauge steel construction for long-term durability
- Black powdercoat finish for maximum corrosion resistance



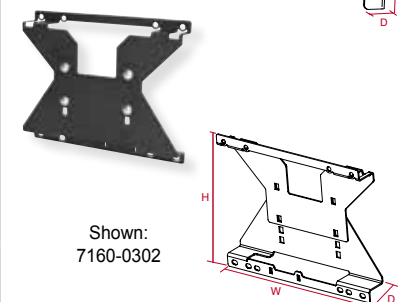
Shown: 7160-0275



Shown: 7160-0276



Shown: 7160-0277



Shown: 7160-0302

Universal Computer Cradles

Computer Display Bracket Solutions

Components

- Universal Display Bracket and Interface Plate
- Locking keyboard arm and Universal Keyboard Tray when applicable

Order Separately

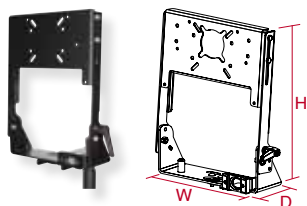
- The *Pedestal Mounted Computer Display Bracket* mounting system can be placed on any Gamber-Johnson **Upper Pole** or "smiley face" pattern device and then inserts into any Gamber-Johnson **Lower Tube** or any **Vehicle Base** with a welded pole (see pg. 4 for hole pattern definitions)

Common Overall Features

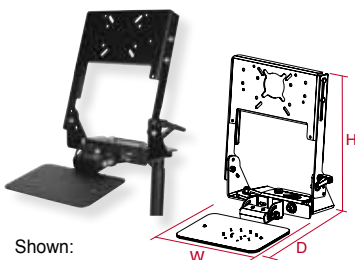
- Display can easily be tilted forward up to 80° or 15° back toward the dashboard. Locking holes provide a fixed screen lock at 5° back (user must supply locking pin). Display can be swiveled 60° right/60° left.
- Keyboard arm locks into place with an audible click when pushed into stow position and has a push button release feature
- Keyboard arm articulates towards the driver and can be tilted down 10° to a positive lock or 90° vertically
- Keyboard can be attached using two different options:
 - Using the dual lock provided (dual lock is rated for 200° F)
 - Using the hole pattern specific to the Panasonic PDRC keyboard
- Keyboard underwent shock testing at MIL-STD-810G (75G, 8 millisecond) on all axes
- Heavy gauge steel construction for long-term durability
- Black powdercoat finish for maximum corrosion resistance

Pedestal Mount Features

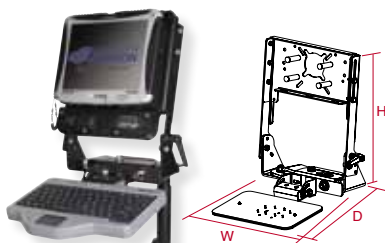
- The *Pedestal Mounted Computer Display Bracket* mounting system can be placed on any Gamber-Johnson **Upper Pole** or "smiley face" pattern (MCS-COMBRKT or 7160-0237) device (ordered separately) allowing flexibility in how far the equipment extends away from the pole towards the user. The **Upper Pole** can either be placed on any **Lower Tube** or **Vehicle Base** with a welded pole which allows for flexibility in the systems height adjustment (ordered separately). (see pg. 4 for hole pattern definitions)



Shown: 7170-0095



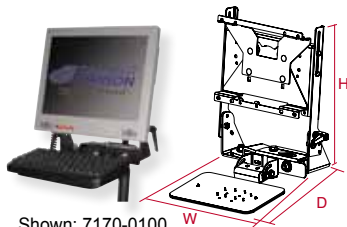
Shown: 7170-0096



Shown: 7170-0099



Shown: 7170-0093



Shown: 7170-0100

Item No.	Description	Keyboard	Tilt	Swivel	Weight	Height	Width	Depth
Universal Computer Brackets								
7170-0095	Universal Pedestal Mount works with computer screen displays with a 75mm or 100mm VESA hole pattern, RoboVu hole pattern or Gamber-Johnson's 2x4 hole pattern. Includes 7160-0273 and 7160-0275.	No	Display can be tilted up to 80° forward/15° back toward the dash	Display can be swiveled 60° right/ 60° left	7.5 lbs	12.5" to 16.5" (entire mounting system will determine overall height)	13.0"	4.5"
7170-0096	Universal Pedestal Mount works with computer screen displays with a 75mm or 100mm VESA hole pattern, RoboVu hole pattern or Gamber-Johnson's 2x4 hole pattern. Includes 7160-0272, 7160-0275 and 7160-0210.	Yes	Display can be tilted up to 80° forward/15° back toward the dash	Display can be swiveled 60° right/ 60° left	13.0 lbs	12.5" to 16.5" (entire mounting system will determine overall height)	13.0"	13.3"
Panasonic Toughbook 19 Computer Brackets								
7170-0099	Panasonic Toughbook 19 Pedestal Mount works with any Gamber-Johnson <i>Panasonic Toughbook 19 Docking Station or Cradle</i> (7160-0264-00, 7160-0264-02, 7160-0264-05). Includes 7160-0272, 7160-0277 and 7160-0210.	Yes	Display can be tilted up to 80° forward/15° back toward the dash	Display can be swiveled 60° right/ 60° left	20.6 lbs	12.5" to 16.5" (entire mounting system will determine overall height)	13.0"	13.3"
Panasonic Toughbook PDRC Computer Brackets								
7170-0093	Panasonic Toughbook PDRC Pedestal Mount. Includes 7160-0272, 7160-0276 and 7160-0210.	Yes	Display can be tilted up to 80° forward/15° back toward the dash	Display can be swiveled 60° right/ 60° left	10.9 lbs	12.5" to 16.5" (entire mounting system will determine overall height)	13.0"	13.4"
Data 911 Computer Brackets								
7170-0100	Data 911 Pedestal Mount works with either 12" or 15" Data 911 computer screen displays. Includes 7160-0272, 7160-0302 and 7160-0210.	Yes	Display can be tilted up to 80° forward/15° back toward the dash	Display can be swiveled 60° right/ 60° left	15.0 lbs	14.1" to 18.1" (entire mounting system will determine overall height)	13.0"	13.3"

Panasonic Cradles & Docking Stations



PAGE 90

New Toughbook CF31 Docking Station

- This product has passed the appropriate tests to qualify for the Toughbook Certified status
- Designed to work with Panasonic Toughbook 30/31 computers
- Smaller footprint allows for easier tilt and rotation and an unobstructed view of the radios or other instruments
- Five (5) USB ports, four (4) out the back and one (1) on the side
- Two (2) Ethernet ports, one (1) USB Ethernet and one (1) True Ethernet
- Two power options: Integrated Power or External Power



PAGE 88

Toughbook CF53 Docking Station

- This product has passed the appropriate tests to qualify for the Toughbook Certified status
- Small footprint is designed to maximize available space inside of the vehicle
- Four (4) USB ports, three (3) 2.0 compliant and one (1) 3.0 compliant
- Front push button latch docking mechanism - with key lock built-in



PAGE 85

Toughpad G1 Docking Station

- This product has passed the appropriate tests to qualify for the Toughbook Certified status
- Designed to work with the Panasonic Toughpad FZ-G1 tablet computer
- Docking Station can be mounted either in landscape or portrait orientation
- Two (2) USB ports and one (1) Ethernet port
- Two mounting hole pattern options: Gamber-Johnson 2x4 or VESA 75mm



PAGE 84

Toughpad B1 Docking Station

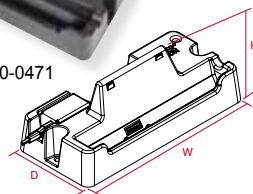
- This product has passed the appropriate tests to qualify for the Toughbook Certified status
- Designed to work with the Panasonic Toughpad JT-B1 tablet computer
- Docking Station can be mounted either in landscape or portrait orientation
- Two (2) USB ports and one (1) Ethernet port
- Cable restraint system secures the cables into the docking station ports

Panasonic Cradles & Docking Stations

NEW

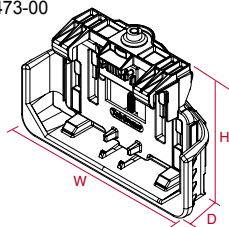


Shown: 7160-0471



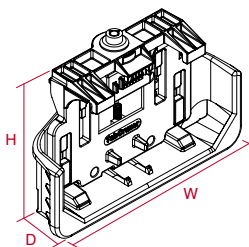
NEW

Shown: 7160-0473-00



NEW

Shown:
7160-0472-04



Panasonic Toughpad FZ-A1 Office Docking Station

Item No.	Weight	Height	Width	Depth
7160-0471	2.0 lbs.	4.1"	12.11"	5.51"

Features

- Design works with the Toughpad FZ-A1 tablet computer for an office environment
- Can be mounted directly to a tabletop using the threaded inserts in the bottom
- Cable management tie points secures the USB, Ethernet and Power Supply Input
- Pocket designed into the docking station for the Power Supply
- Built-in stylus holder
- Steel and Composite design for reduced overall weight
- 3 year limited warranty (printed circuit board and docking connector)
- Limited lifetime warranty on all non-electronic components (sheet meal and composite)

Port Replicator

- Ethernet RJ45
- USB (2) 4 pin
- Power Supply Input DC



TabCruzer® for Panasonic Toughpad JT-B1 Cradle

Item No.	Weight	Height	Width	Depth
7160-0473-00	1.0 lb.	6.53"	9.82"	3.02"

Features

- Gamber-Johnson has worked with Panasonic to perform the appropriate tests needed to qualify a product as Toughbook Certified
- Designed using MIL-STD-810G test procedures
- Design works with the Toughpad JT-B1 tablet computer
- Cradle can be mounted using the VESA 75mm mounting hole patter, to attach to a Gamber-Johnson system use the *Universal Adapter Bracket* (Item No. 7160-0454)
- Cradle can be mounted either vertically or horizontally
- Integrated key lock: locks are keyed the same
- Composite design for reduced overall weight
- Limited lifetime warranty on all non-electronic components (sheet meal and composite)

Note: Please contact Gamber-Johnson's Sales Department if you require a lock that is keyed differently per cradle for your fleet.

TabCruzer® for Panasonic Toughpad JT-B1 Docking Station

Item No.	Power Supply	Weight	Height	Width	Depth
7160-0472-04	No - must use external <i>Lind Auto Adapter</i> (Item No. 15029)	1.0 lb.	6.53"	9.82"	3.02"
7170-0194	Yes - includes external <i>Lind Auto Adapter</i> (Item No. 15029)	2.1 lbs.	6.53"	9.82"	3.02"

Features

- Gamber-Johnson has worked with Panasonic to perform the appropriate tests needed to qualify a product as Toughbook Certified
- Design works with the Toughpad JT-B1 tablet computer
- Docking Station can be mounted using the VESA 75mm mounting hole patter, to attach to a Gamber-Johnson system use the *Universal Adapter Bracket* (Item No. 7160-0454)
- Docking Station can be mounted either vertically or horizontally
- Cable restraint system secures the USB, Ethernet and Power Supply Input
- Alignment tabs prevent damage to the docking connector when docking the computer
- Composite design for reduced overall weight
- 3 year limited warranty (printed circuit board and docking connector)
- Limited lifetime warranty on all non-electronic components (sheet meal and composite)

Note: Please contact Gamber-Johnson's Sales Department if you require a lock that is keyed differently per docking station for your fleet.

Port Replicator

- Ethernet RJ45
- USB (2) 4 pin
- Power Supply Input DC



TabCruzer® for Panasonic Toughpad JT-B1 Cradle and Docking Station Accessories

Item No.	Description	Placement	Weight	Height	Width	Depth
15029	External Lind Automobile Cigarette Power Adapter (Toughpad JT-B1)	For use with the following <i>TabCruzer for Panasonic Toughpad JT-B1 Docking Station and Cradle</i> (Item No. 7160-0472-04 and 7160-0473-00)	0.85 lbs.	1.1"	5.4"	3.1"
7160-0454	Universal Adapter Bracket	Attaches between the back of the <i>TabCruzer for Panasonic Toughpad JT-B1 Docking Station or Cradle</i> and any Gamber-Johnson Motion Attachment	0.85 lbs.	0.97"	5.0"	5.0"



Shown: 15029

TabCruzer® for Panasonic Toughpad FZ-G1 Cradle

Item No.	Hole Pattern	Weight	Height	Width	Depth
7160-0489-00	Gamber-Johnson 2x4 pattern	2.5 lbs.	9.14"	11.22"	3.8"
7160-0490-00	VESA 75mm pattern	2.5 lbs.	9.14"	11.22"	3.8"

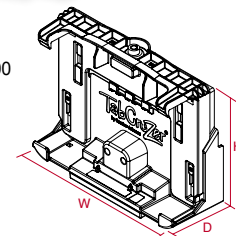
Features

- Gamber-Johnson has worked with Panasonic to perform the appropriate tests needed to qualify a product as Toughbook Certified
- Designed using MIL-STD-810G test procedures
- Design works with the Toughpad FZ-G1 tablet computer
- Cradle can be mounted using either the Gamber-Johnson 2x4 pattern or the VESA 75mm mounting hole pattern, to attach to a Gamber-Johnson system using VESA pattern use the *Universal Adapter Bracket* (Item No. 7160-0454)
- Cradle can be mounted either vertically or horizontally
- Alignment tabs assist in proper placement when inserting the tablet
- Integrated key lock: locks are keyed the same
- Steel and Composite design for reduced overall weight
- Limited lifetime warranty on all non-electronic components (sheet metal and composite)

Note: Please contact Gamber-Johnson's Sales Department if you require a lock that is keyed differently per cradle for your fleet.



Shown: 7160-0489-00



TabCruzer® for Panasonic Toughpad FZ-G1 Docking Station

Item No.	Antenna pass-Through	Hole Pattern	Weight	Height	Width	Depth
7160-0486-00	NA	Gamber-Johnson 2x4 pattern	2.5 lbs.	9.14"	11.22"	3.8"
7160-0486-02	Dual RF (TNC)	Gamber-Johnson 2x4 pattern	2.5 lbs.	9.14"	11.22"	3.8"
7160-0487-00	NA	VESA 75mm pattern	2.5 lbs.	9.14"	11.22"	3.8"
7160-0487-02	Dual RF (TNC)	VESA 75mm pattern	2.5 lbs.	9.14"	11.22"	3.8"

Features

- Gamber-Johnson has worked with Panasonic to perform the appropriate tests needed to qualify a product as Toughbook Certified
- Design works with the Toughpad FZ-G1 tablet computer
- Docking Station can be mounted using either the Gamber-Johnson 2x4 pattern or the VESA 75mm mounting hole pattern, to attach to a Gamber-Johnson system using VESA pattern use the *Universal Adapter Bracket* (Item No. 7160-0454)
- Docking Station can be mounted either vertically or horizontally
- Alignment tabs prevent damage to the docking connector when docking the tablet
- Integrated key lock: locks are keyed the same
- Steel and Composite design for reduced overall weight
- 3 year limited warranty (printed circuit board and docking connector)
- Limited lifetime warranty on all non-electronic components (sheet metal and composite)

Note: Please contact Gamber-Johnson's Sales Department if you require a lock that is keyed differently per docking station for your fleet.

Port Replicator

- Ethernet RJ45
- USB (2) 9 pin
- Serial (1) D-sub 9 pin
- Video (2)
 - VGA D-sub 15 pin
 - HDMI 19 pin
- RF Pass-through (Optional) TNC
- Power Supply Input DC



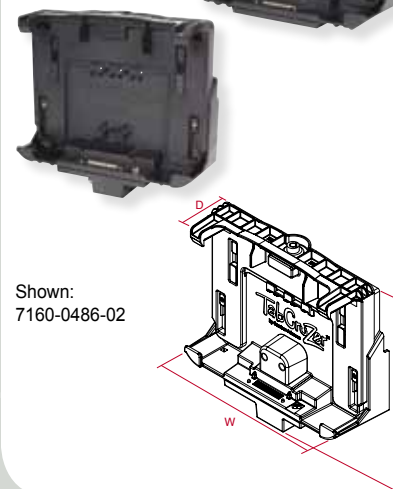
Shown: Ports



Shown: RF Ports

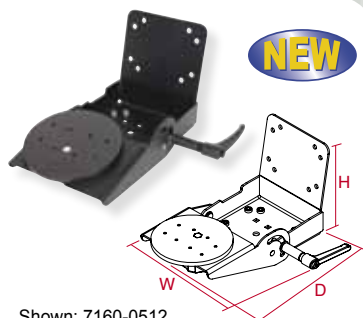


Shown: 7160-0486-00



Shown: 7160-0486-02

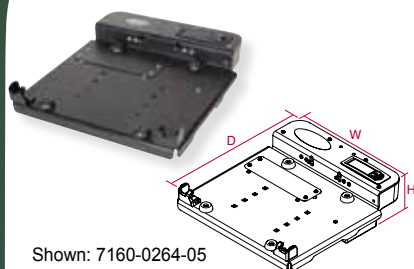
Panasonic Cradles & Docking Stations



Shown: 7160-0512



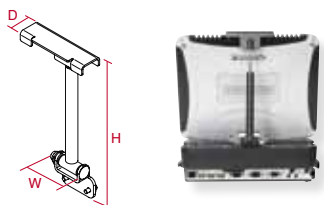
Shown: 11634



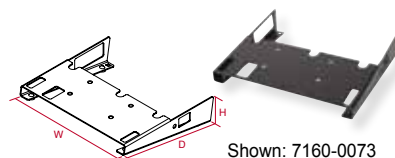
Shown: 7160-0264-05



Shown: 7160-0215



Shown: 7160-0049



Shown: 7160-0073

TabCruzer® for Panasonic Toughpad FZ-G1 Cradle and Docking Station Accessories

Item No.	Description	Placement	Weight	Height	Width	Depth
7160-0512	Keyboard Tray	Attaches to the back of the TabCruzer for Panasonic Toughpad FZ-G1 Docking Stations and Cradles	4.25 lbs.	6.1"	5.8"	10.0"
7160-0454	Universal Adapter Bracket	Attaches between the back of the TabCruzer for Panasonic Toughpad FZ-G1 Docking Stations or Cradles and any Gamber-Johnson Motion Attachment	0.85 lbs.	0.97"	5.0"	5.0"
11634	External Lind Automobile Cigarette Power Adapter (Toughpad FZ-G1)	For use with the following TabCruzer for Panasonic Toughpad FZ-G1 Docking Stations and Cradles	0.85 lbs.	1.1"	5.4"	3.1"
11798	External Lind Automobile Bare Wire Leads Power Adapter (Toughpad FZ-G1)	For use with the following TabCruzer for Panasonic Toughpad FZ-G1 Docking Stations and Cradles	1.22 lbs.	1.0"	5.0"	3.0"

Panasonic Toughbook 19 Cradle

Item No.	Port Replicator/Internal Power Supply	Weight	Height	Width	Depth
7160-0264-05	NA	3.35 lbs.	3.04"	11.10"	11.67"

Features

- Designed using MIL-STD-810F test procedures
- Lightweight cradle can be positioned both vertically (Tablet PC) or horizontal (Notebook PC)
- Rounded edges to enhance personal safety
- New push button latching mechanism draws computer down
- Holes provided for cable strain relief (cable ties included)
- Use *Lind Auto Adapter* (Item No. 11798)
- Can be used with any **Motion Attachment** when mounted in the horizontal (Notebook PC) position
- Must be used with **Motion Attachment** Item No. 7160-0419 (CLEVIS 0-90) when mounted in the vertical (Tablet PC) position
- Passed 30 mph Sled Impact Test per SAE Standard J1455
- Aluminum structure for reduced overall weight
- Black powdercoat finish for maximum corrosion resistance

Panasonic Toughbook 19 Cradle and Docking Station Accessories

Item No.	Description	Placement	Weight	Height	Width	Depth
7160-0215	LED Light Assembly	Attaches to either side of the docking station or cradle	0.5 lbs	17.0"	3.0"	1.56"
7160-0049	Screen Support	Attaches to threaded holes on the back of either the docking station or cradle	0.5 lbs	10.0"	2.31"	0.25"
11798	Lind Automobile Power Adapter (Toughbook 18/19)	Provides regulated power to the <i>Panasonic Toughbook 19 Cradle or Docking Station</i>	1.22 lbs	1.0"	5.0"	3.0"
7160-0073	Wedge and Hardware	Wedge attaches to the bottom of docking station or cradle for use on a flat surface or trunk applications	1.70 lbs	2.0"	10.25"	8.75"
7160-0398	Trunk Shelf Mounting Plate	Used to raise any <i>Gamber-Johnson Panasonic Toughbook 19 Cradle or Docking Station</i> to provide clearance for cables when mounting to a flat surface (usually trunk applications)	2.65 lbs	2.30"	10.25"	5.5"

Panasonic Toughbook 19 Docking Station - MK4/MK5/MK6

Item No.	Description	Antenna Pass-Through	Weight	Height	Width	Depth
7160-0264-00	Docking Station only	NA	4.15 lbs.	3.04"	11.10"	11.67"
7160-0264-02	Docking Station only	WAN & Wireless LAN (TNC)	4.15 lbs.	3.04"	11.10"	11.67"
7160-0264-03	Docking Station and External Lind Power Supply	NA	5.37 lbs.	3.04"	11.10"	11.67"
7160-0264-04	Docking Station and External Lind Power Supply	WAN & Wireless LAN (TNC)	5.37 lbs.	3.04"	11.10"	11.67"

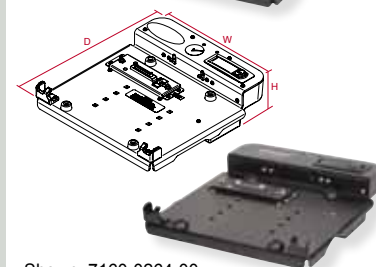
Features

- Gamber-Johnson's docking station has passed the appropriate tests to qualify for the Toughbook Certified status
- Designed using MIL-STD-810F test procedures
- Universal design works with Toughbook 19 computers (MK4/MK5/MK6 versions)
- Can be positioned both vertically (Tablet) or horizontal (Notebook)
- Internal/protected circuit board protects against dirt and dust
- Brass locating pins for precise computer placement
- Front clips provide computer guidance
- Floating docking connector for reliable docking connection
- Four (4) USB ports; three (3) out the back and one (1) on the side
- Rounded edges to enhance personal safety
- Push button latching mechanism draws the computer down for docking connection
- Key lock built-in to deter laptop theft
- Use *Lind Auto Adaptor* (Item No. 11798) for power supply
- 3 year limited warranty (printed circuit board, docking connector and all sheet metal)
- Can be used with any **Motion Attachment** when mounted in the horizontal (Notebook) position
- Must be used with **Motion Attachment** Item No. 7160-0419 (Clevis) when mounted in the vertical (Tablet) position
- Passed 30 mph Sled Impact Test per SAE Standard J1455
- Aluminum structure for reduced overall weight
- Black powdercoat finish for maximum corrosion resistance

Port Replicator

- USB (4)
- Ethernet
- Serial (2)
- External video
- Headphones/speakers
- Microphone

- 4 pin RJ45
- D-sub 9 pin
- D-sub 15 pin
- Mini-jack stereo
- Mini-jack



Shown: 7160-0264-00



Shown: 7160-0264-03



Panasonic Toughbook 19 Pedestal Mounted Computer Display Bracket

Components

- Universal Display Bracket, Panasonic Toughbook 19 Interface plate, locking keyboard arm and universal keyboard tray

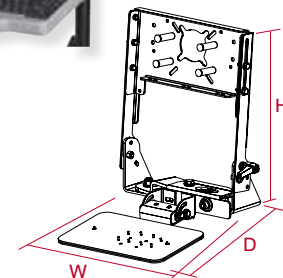
Order Separately

- The *Panasonic Toughbook 19 Docking Station or Cradle* (see pg 76) is not included and needs to be ordered separately
- The *Panasonic Toughbook 19 Pedestal Mounted Computer Display Bracket* mounting system can be placed on any Gamber-Johnson **Upper Pole** or "smiley face" pattern device and then inserts into any Gamber-Johnson **Lower Tube** or any **Vehicle Base** with a welded pole (see pg. 4 for hole pattern definitions)

Item No.	Tilt	Swivel	Weight	Height	Width	Depth
7170-0099	The display can be tilted forward up to 80° from the dashboard or 15° back toward the dashboard	The display can be swiveled 60°/60° towards the driver or passenger	20.6 lbs	13.5" to 16.5" (entire mounting system will determine overall height)	13.0"	13.3"

Features

- The *Panasonic Toughbook 19 Pedestal Mounted Computer Display Bracket* mounting system can be placed on any Gamber-Johnson Upper Pole or "smiley face" pattern (MCS-COMBRKT or 7160-0237) device (ordered separately) allowing flexibility in how far the equipment extends away from the pole towards the user. The **Upper Pole** can either be placed on any **Lower Tube** or **Vehicle Base** with a welded pole which allows for flexibility in the systems height adjustment (ordered separately)
- Display can easily be tilted forward up to 80° or 15° back toward the dashboard. Locking holes provide a fixed screen lock at 5° back (user must supply locking pin). Display can be swiveled 60° right/60° left.
- Keyboard arm locks into place with an audible click when pushed into stow position; has a push button release feature
- Keyboard arm articulates towards the driver and can be tilted down 10° to a positive lock or 90° vertically
- Keyboard can be attached using two different options:
 - Using the dual lock provided (dual lock is rated for 200° F)
 - Using the hole pattern specific to the Panasonic PDRC keyboard
- Keyboard underwent shock testing at MIL-STD-810G (75G, 8 millisecond) on all axes
- Heavy gauge steel construction for long-term durability
- Black powdercoat finish for maximum corrosion resistance

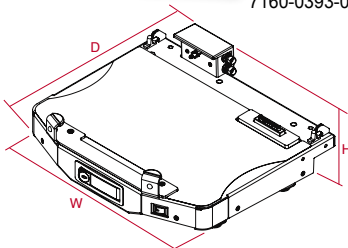


Shown: 7170-0099

Universal Computer Cradles



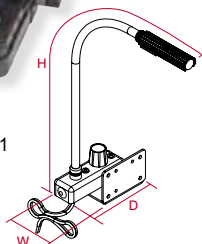
Shown: 7160-0393-00



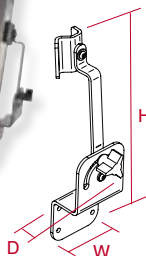
Shown: 7160-0393-06



Shown: 7160-0101



Shown: 7160-0428



Shown: 14650

Panasonic Toughbook 53 Docking Station

Item No.	Antenna Pass-Through	Power Supply	Weight	Height	Width	Depth
7160-0393-00	NA	No - must use external Lind Auto Adapter (Item No. 14650)	6.1 lbs	3.63"	13.48"	11.48"
7160-0393-02	Dual RF (TNC)	No - must use external Lind Auto Adapter (Item No. 14650)	6.1 lbs	3.63"	13.48"	11.48"
7160-0393-04	NA	Yes - 120W Internal Lind Power Supply	7.1 lbs	3.63"	13.48"	11.48"
7160-0393-06	Dual RF (TNC)	Yes - 120W Internal Lind Power Supply	7.1 lbs	3.63"	13.48"	11.48"

Features

- Designed to MIL-STD 810G test procedures and complies with FCC Class A standards
- Dual pass-thru antenna for WAN and Wi-Fi connectivity inside your vehicle (optional)
- 120W Internal Lind Power Supply (optional)
- Small footprint - designed to maximize available space inside of vehicle
- Rear-facing I/O ports, integrated cable strain relief system, and convenient cable management system
- Front safety bracket and locator pins ensure proper alignment and docking connectivity
- Barrel Lock and key for theft deterrence -
- Push button key lock releases docking connector
- Insert computer and pull handle forward to dock computer
- Power Switch - allows for hot docking without having to power down the computer
- Rugged aluminum/steel construction with black powder coat finish for long-term durability
- 3-year limited warranty (printed circuit board and docking connector)

Port Replicator

- Ethernet (1) RJ45
- Fully -Powered USB (4)
 - USB 3.0 (1) 4 pin
 - USB 2.0 (3) 4 pin
- Video (2)
 - VGA D-Sub 15 pin
 - HDMI 19 pin
- Serial D-Sub 9
- RF Pass-thru (Optional) TNC



120W Internal Power Supply (Optional)

- Operating Temperature: -20°C to 50°C (-4° F to 122° F)
- Non-operating (storage) Temperature: -40°C to 85°C (-40° F to 185° F)
- Power output to computer from dock = 120 watts (max)
- Input Voltage: 12V DC min to 32V DC max systems
- Output Voltage: 15.6V DC-16V No Load, 14.5V-15.5V Full Load
- Under voltage protection: 9.5V min to 10.5V max DC
- Over voltage protection: 33V min to 34V max DC
- Output voltage protection: 17V min to 18V max DC
- Automatic Temperature Reset
- Reverse Polarity Protection
- Auto Shutdown Circuit
- Output Current Limit
- Load Dump
- Input Fused

Panasonic Toughbook 53 Docking Station Accessories

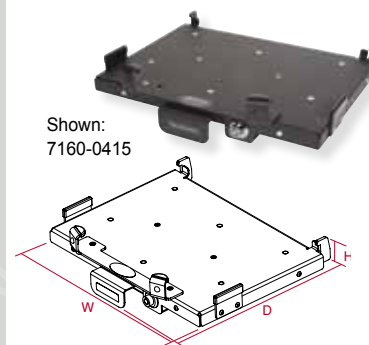
Item No.	Description	Placement	Weight	Height	Width	Depth
7160-0101	LED Light Assembly	Attaches to either side of docking station	0.60 lbs.	17.0"	2.28"	2.0"
7160-0428	Screen Support	Attaches to either side of docking station	0.65 lbs.	8.88"	2.31"	2.19"
14650	Lind Automobile Power Adapter provides regulated power to the Panasonic Toughbook CF53	For use with the following <i>Panasonic Toughbook 53 Docking Stations</i> (Item No. 7160-0393-00, 7160-0393-02, 7160-0393-04, 7160-0393-06) or <i>Cradle</i> (Item No. 7160-0415)	1.1 lbs.	1.15"	5.0"	3.0"

Panasonic Toughbook 53 Cradle

Item No.	Port Replicator/Internal Power Supply	Weight	Height	Width	Depth
7160-0415	NA	10.0 lbs.	2.9"	13.9"	11.9"

Features

- Secures the Toughbook 53 computer on all sides
- One-handed operation to engage and disengage computer from cradle:
- To secure computer, place in cradle and pull lever forward to latch
- To remove computer, push tubular key lock button to release back hooks from computer
- Key lock built-in to deter theft
- Can be used with Motion Attachment
- Constructed of heavy gauge steel and security hardware for long-term durability
- Black powdercoat finish for maximum corrosion resistance
- Accessories: LED light (7160-0123), Screen Support (7160-0124), Shock/Vibration Isolator Plate (7160-0351), LIND Power adapter (13786)

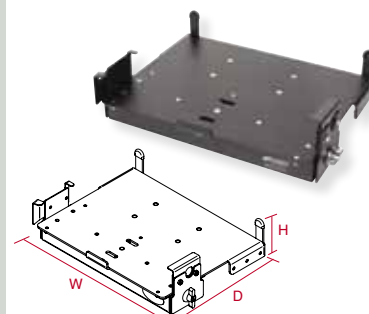


Panasonic Toughbook 27|28|29|30|31 Cradle

Item No.	Port Replicator/Internal Power Supply	Weight	Height	Width	Depth
NP-PAN-CRADLE	NA	7.1 lbs.	3.5" - 3.75"	12.5"	10.0"

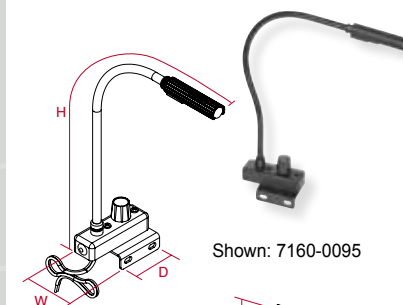
Features

- Cradle adjusts to securely hold the Panasonic Toughbook 27/28/29/30/31 computers
- Hold-down clips don't interfere with closing the screen
- 90° wing turn closure latch with built-in key lock that allows for quick computer insertion
- Can be used with any **Motion Attachment** (pg. 32-37)
- Heavy gauge steel for long-term durability
- Black powdercoat finish for maximum corrosion resistance



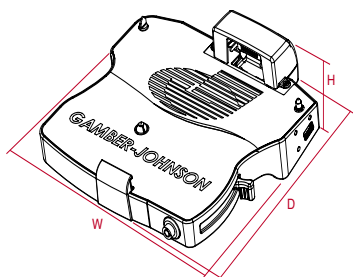
Panasonic Toughbook 27|28|29|30|31 Cradle Accessories

Item No.	Description	Placement	Weight	Height	Width	Depth
7160-0095	LED Light Assembly	Attaches to either side of the cradle	0.5 lbs.	17.0"	2.28"	1.56"
7110-0643	Screen Support	Screen support attaches to either side of the cradle	0.4 lbs.	9.0"	5.0"	0.25"



Panasonic Cradles & Docking Stations

NEW



Panasonic Toughbook 30/31 Docking Station

Item No.	Antenna Pass-Through	Power Supply	Weight	Height	Width	Depth
7160-0318-00	NA	No - must use external 120W Lind Auto Adapter (Item No. 14103)	5.1 lbs.	3.9"	12.4"	12.3"
7160-0318-01	Single RF (TNC)	No - must use external 120W Lind Auto Adapter (Item No. 14103)	5.1 lbs.	3.9"	12.4"	12.3"
7160-0318-02	Dual RF (TNC)	No - must use external 120W Lind Auto Adapter (Item No. 14103)	5.1 lbs.	3.9"	12.4"	12.3"
7160-0318-04	NA	Yes* - Integrated 120W Lind Power Supply	6.0 lbs.	3.9"	12.4"	12.3"
7160-0318-05	Single RF (TNC)	Yes* - Integrated 120W Lind Power Supply	6.0 lbs.	3.9"	12.4"	12.3"
7160-0318-06	Dual RF (TNC)	Yes* - Integrated 120W Lind Power Supply	6.0 lbs.	3.9"	12.4"	12.3"

Features

- Gamber-Johnson has worked with Panasonic to perform the appropriate tests needed to qualify a product as Toughbook Certified
- 120W LIND integrated power supply has passed the appropriate tests to qualify for the Toughbook Certified status
- Designed using MIL-STD-810G test procedures and complies with FCC Class A standards
- 30 mph crash tested per SAEJ 1455 standard
- Design works with Toughbook 30 and 31 computers
- Smaller footprint allows for easier tilt and rotation of the docking station towards the driver as well as an unobstructed view of the radios or other instruments
- Simple, one-handed, docking mechanism:
 - Pull side handle towards you to dock
 - Push key lock button to release and undock computer
- Brass locating pins for precise computer placement
- Floating docking and connector for reliable docking connection
- Interlocking mechanism protects against connector damage and prevents engagements until properly mounted
- Side LED Indicator light can be used to troubleshoot in the field
 - Green: All ports are ready to use
 - Orange: USB and LAN ports not functioning or external power is not connected
 - Red: PC is not supported or connection is not made
 - Red (Blinking): Error has occurred in firmware, contact Panasonic Technical Support
 - Not Lit: PC not docked or PC is Off, Standby or in Hibernation
- Key Lock options:
 - Standard: Keyed alike, push button key lock releases docking connector (lock use is not necessary for continued, positive docking engagement)
 - Automatic Lock: Keyed alike, the lock automatically locks when the computer is docked, the lock must be unlocked with key to release the handle and undock the computer (please see website for part numbers)
- Power Supply options:
 - *Factory Integrated 120W Lind Power Supply - fits into dedicated pocket within the docking station for easier installation and service
 - External 120W Lind Auto Adapter (Item No. 14103), sold separately
- 3 year limited warranty (printed circuit board and docking connector)
- Optional 4 and 5 year extended warranty available
- Composite/steel design creates a lightweight, yet rugged platform for long-term durability
- Powdercoat finish for maximum corrosion resistance

Note: Panasonic recommends that the CF30/31 computers should not be "hot docked" into any docking station.

Port Replicator

- Serial (2) D-sub 9 pin
- Ethernet (2)
 - USB Ethernet RJ45
 - True Ethernet* RJ45
- USB (5) 4 pin
- External video D-sub 15 pin
- Headphones/speakers Stereo phono jack
- Microphone Mono phono jack
- RF Pass-through (Optional) TNC

* **Note:** The True Ethernet will not work with a Toughbook 30 computer

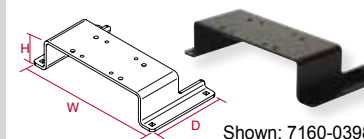
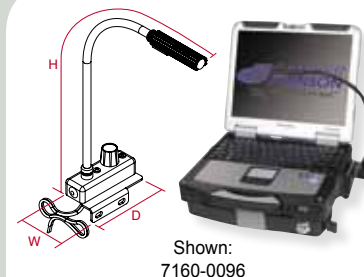


120W Internal Lind Power Supply (Optional)

- Operating Temperature: -20°C to 50°C (-4° F to 122° F)
- Non-operating (storage) Temperature: -40°C to 85°C (-40° F to 185° F)
- Power Output to Computer from Dock = 120 watts (max)
- Input Voltage: 12V DC min to 32V DC max systems
- Output Voltage: 15.6V DC-16V No Load, 14.5V-15.5V Full Load
- Under Voltage Protection: 9.5V min to 10.5V max DC
- Over Voltage Protection: 33V min to 34V max DC
- Output Voltage Protection: 17V min to 18V max DC
- Automatic Temperature Reset
- Reverse Polarity Protection
- Auto Shutdown Circuit
- Output Current Limit
- Load Dump
- Input Fused
- Input Fused

Panasonic Toughbook 30/31 Docking Station Accessories

Item No.	Description	Placement	Weight	Height	Width	Depth
7160-0096	LED Light Assembly	Attaches to the right side of docking station	0.5 lbs.	17.0"	3.0"	1.56"
7160-0501	Screen Support	Attaches to the right side of docking station	0.5 lbs.	9.66"	4.11"	1.8"
7160-0398	Trunk Shelf Mounting Plate	Used to raise the <i>Panasonic 30/31 Docking Station</i> to provide clearance for cables when mounting to a flat surface (usually trunk applications)	3.6 lbs.	2.30"	10.25"	5.5"
7160-0496	Integrated 120W Lind Power Supply Kit	Inserts into the dedicated pocket on the underside of docking station, for use with the following <i>Panasonic Toughbook 30/31 Docking Stations</i> (Item No. 7160-0318-00, 7160-0318-01, 7160-0318-02, 7160-0318-07, 7160-0318-08, 7160-0318-09)	1.0 lbs.	1.0"	2.0"	4.5"
14103	External 120W Lind Automobile Power Adapter (Toughbook 30 and 31)	For use with the following <i>Panasonic Toughbook 30/31 Docking Stations</i> (Item No. 7160-0318-00, 7160-0318-01, 7160-0318-02, 7160-0318-07, 7160-0318-08, 7160-0318-09)	0.85 lbs.	1.1"	5.4"	3.1"



Panasonic Toughbook PDRC Pedestal Mounted Computer Display Bracket

Components

- Universal Display Bracket, Panasonic Toughbook PDRC Interface plate, locking keyboard arm and universal keyboard tray

Order Separately

- The *Panasonic Toughbook PDRC Pedestal Mounted Computer Display Bracket* mounting system can be placed on any Gamber-Johnson **Upper Pole** or "smiley face" pattern device and then inserts into any Gamber-Johnson **Lower Tube** or any **Vehicle Base** with a welded pole (see pg. 4 for hole pattern definitions)

Item No.	Tilt	Swivel	Weight	Height	Width	Depth
7170-0093	The display can be tilted forward up to 80° from the dashboard or 15° back toward the dashboard	The display can be swiveled 60°/ 60° towards the driver or passenger	10.9 lbs.	12.5" to 16.5" (entire mounting system will determine overall height)	13.0"	13.34"

Features

- The *Panasonic Toughbook PDRC Pedestal Mounted Computer Display Bracket* mounting system can be placed on any Gamber-Johnson **Upper Pole** or "smiley face" pattern (MCS-COMBRKT or 7160-0237) device (ordered separately) allowing flexibility in how far the equipment extends away from the pole towards the user. The **Upper Pole** can either be placed on any **Lower Tube** or **Vehicle Base** with a welded pole which allows for flexibility in the systems height adjustment (ordered separately)
- Display can easily be tilted forward up to 80° or 15° back toward the dashboard. Locking holes provide a fixed screen lock at 5° back (user must supply locking pin). Display can be swiveled 60° right/60° left.
- Keyboard arm locks into place with an audible click when pushed into stow position and has a push button release feature
- Keyboard arm articulates towards the driver and can be tilted down 10° to a positive lock or 90° vertically
- Keyboard can be attached using two different options:
 - Using the dual lock provided (dual lock is rated for 200° F)
 - Using the hole pattern specific to the Panasonic PDRC keyboard
- Keyboard underwent shock testing at MIL-STD-810G (75G, 8 millisecond) on all axes
- Heavy gauge steel construction for long-term durability
- Black powdercoat finish for maximum corrosion resistance



Panasonic PDRC Pedestal Accessories

Item No.	Placement	Weight	Height	Width	Depth
7160-0344	PDRC Extension Cable Kit is designed to be used with Panasonic PDRC system (Model CF-VDL03U). Cable Kit includes: <ul style="list-style-type: none"> - 15' Video extension cable - 15' Serial extension cable - 16' USB 2.0 extension cable with Repeater - Hardware bag (includes (3) 5" x 1.5" diameter shrink tubes, additional hardware to connect Serial and Video cable) 	2.5 lbs.	NA	NA	NA



Panasonic Cradles & Docking Stations

Lind Automobile Power Adapters for Panasonic Toughbooks

Item No.	Description	Placement	Weight	Height	Width	Depth
11634	External Lind Automobile Cigarette Power Adapter (Toughpad FZ-G1)	For use with the following <i>TabCruzer for Panasonic Toughpad FZ-G1 Docking Stations and Cradles</i> (Item No. 7160-0486-00, 7160-0486-02, 7160-0487-00, 7160-0487-02, 7160-0489-00, 7160-0490-00)	1.22 lbs.	1.15"	5.0"	3.0"
11798	External Lind Automobile Bare Wire Leads Power Adapter (Toughbook CF18, CF19 and H2 and Toughpad FZ-G1)	For use with the following <i>Panasonic Toughbook CF19 Docking Stations and Cradles</i> (Item No. 7160-0264-00, 7160-0264-02, 7160-0264-05), <i>Panasonic Toughbook H2 Vehicle Docking Station and Cradle</i> (Item No. 7160-0348, 7160-0349) and <i>TabCruzer for Panasonic Toughpad FZ-G1 Docking Stations and Cradles</i> (Item No. 7160-0486-00, 7160-0486-02, 7160-0487-00, 7160-0487-02, 7160-0489-00, 7160-0490-00)	1.0 lb.	1.15"	5.0"	3.0"
14103	External 120W Lind Automobile Power Adapter (Toughbook CF30 and CF31)	For use with the following <i>Panasonic Toughbook 30/31 Docking Stations and Cradles</i> (Item No. 7160-0318-00, 7160-0318-01, 7160-0318-02, 7160-0318-07, 7160-0318-08, 7160-0318-09, NP-PAN-CRADLE)	0.85 lbs.	1.1"	5.4"	3.1"
14650	External Lind Automobile Cigarette Power Adapter (Toughbook CF53)	For use with the following <i>Panasonic Toughbook CF53 Docking Stations and Cradles</i> (Item No. 7160-0393-00, 7160-0393-02, 7160-0415)	1.0 lb.	1.1"	5.4"	3.1"
15029	External Lind Automobile Cigarette Power Adapter (Toughpad JT-B1)	For use with the following <i>TabCruzer for Panasonic Toughpad JT-B1 Docking Station and Cradle</i> (Item No. 7160-0472-04 and 7160-0473-00)	1.0 lb.	1.1"	5.4"	3.1"



Shown: 11634



Shown: 11798



Shown: 14103



Shown: 14650



Shown: 15029



Shown: 13791



Shown: 13792

Panasonic Accessories – Lind Auto-Shutdown Timers

Item No.	Description	Shut Down Delay	AMP Load	Weight	Height	Width	Depth
13791	Lind Ruggedized Shut Down Timer	Factory set at 2 hours	Up to 20 AMPS	0.30 lbs.	1.6"	3.0"	2.06"
13792	Lind Low Profile Shut Down Timer	Adjustable - 5 seconds to 4 hours	Up to 30 AMPS	0.30 lbs.	1.2"	3.8"	4.3"

Features

- Shut Down Timer (SDT) protects the automobile battery from over discharge by shutting OFF at a preset time after engine is shut down or battery discharged to a low voltage level
- SDT protects radio or computer equipment from damage due to low or high input voltage
- Low voltage shut down at 10.5 V DC
- High voltage shut down at 18 V DC with auto reset
- Automatic activation by sensing the battery voltage (battery not charging = timer ON)
- Optional activation by ignition switch connection (ignition OFF = timer ON)
- LED indicators

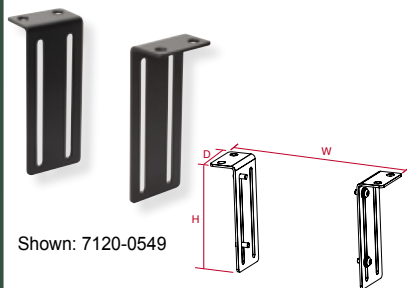
Panasonic Arbitrator Brackets

Item No.	Placement	Weight	Height	Width	Depth
7120-0549	Attaches to the Panasonic Arbitrator CPU and mounts to a flat surface (trunk shelf mounted) or uneven surface (roof or floor of trunk)	0.3 lbs.	3.88"	9.0" (when assembled)	1.60"

Features

- Brackets attached to the Panasonic Arbitrator CPU
- Allows CPU to be mounted to a flat surface or an uneven surface such as a roof or floor for a trunk
- Has 3.0" of adjustability
- Heavy gauge steel construction for long-term durability
- Black powdercoat finish for maximum corrosion resistance

Note: This product is not designed to be used in a console box



Shown: 7120-0549

Panasonic Toughbook H1 | H2 Healthcare Mounting Solutions

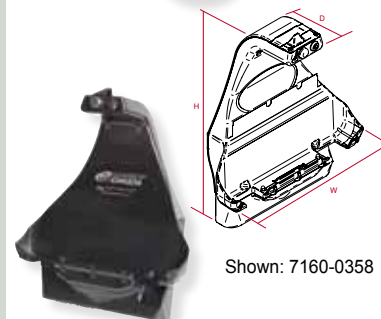
Item No.	Description	Weight	Height	Width	Depth
7160-0358	Docking Station (has port replication)	2.0 lbs.	12.65"	10.67"	4.30"
7160-0359	Cradle	1.64 lbs.	10.61"	10.67"	4.30"

Features

- Designed and tested in partnership with Panasonic for the H1 and H2 computers
- Ideal for cart or wall mounted docking applications
 - Solution attaches directly to any 75mm VESA hole pattern standard on most medical carts (see pg. 4 for hole pattern definitions)
 - For wall mount applications, order mounting kit accessory package (Item No. 7160-0454)
- Lightweight, yet rugged docking station is made from Polycarbonate Plastic for durable, long-lasting use
- Designed for easy sanitization
- Easy access to stylus when computer is docked
- Easy to use one-handed operation:
 - When inserted, the computer automatically latches into place
 - To remove, push lever down to disengage and pull computer out of docking station
- Standard key lock for security:
 - Docking stations are keyed alike
 - Lock use is optional
- Testing and Certifications:
 - RoHS Compliant
 - FCC Class B
 - CE Automotive and Office Mark
 - Vibration Testing
 - Latch Cycle Test - 30,000 cycles
 - Durability and Mechanical - 50,000 cycles
- 3 year limited warranty (circuit board, connector and docking station body)

Port Replicator (Docking Station Only)

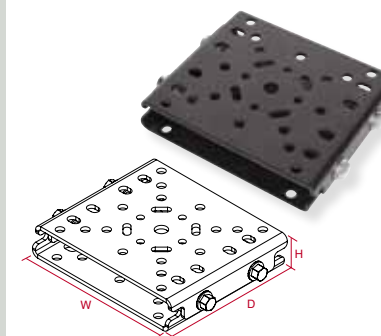
- USB (3) 4 pin
- Ethernet RJ45
- Serial (1) D-sub 9 pin
- VGA D-sub 15 pin
- Power supply input DC 16V



Shown: 7160-0358



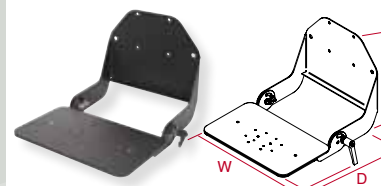
Shown: 7160-0359



Shown: 7160-0454



Shown: 7160-0320



Shown: 7160-0180

Panasonic Toughbook H1/H2 Healthcare Mounting Solutions

Item No.	Description	Placement	Weight	Height	Width	Depth
7160-0454	Universal Adapter Bracket	Attaches to the back of the <i>Panasonic Toughbook H1/H2 Healthcare Docking Stations and Cradles</i> and the wall	0.85 lbs.	0.97"	5.0"	5.0"
7160-0320	H1/H2 Battery Bracket Assembly - prevents the battery from being easily stolen	Brackets attach directly to the back of the H1/H2 Toughbook Computer, under the computer hand strap using existing screws	1.0 lbs.	NA	NA	NA
7160-0180	Keyboard Tray	Attaches to the back of the <i>Panasonic Toughbook H1/H2 Healthcare Docking Stations and Cradles</i> using the 75mm VESA pattern	2.85 lbs.	8.31"	10.95"	12.32"

Panasonic Cradles & Docking Stations

Panasonic Toughbook H2 Vehicle Mounting Solutions

Item No.	Description	Weight	Height	Width	Depth
7160-0348	Docking Station (has port replication)	3.8 lbs.	14.81"	10.67"	4.69"
7160-0349	Cradle	3.4 lbs.	10.23"	10.67"	4.69"

Features

- Designed and tested in partnership with Panasonic for the H2
- Ideal for rugged vehicle docking applications:
 - Docking station attaches directly to any 75mm VESA hole pattern (see pg. 4 for hole pattern definitions)
 - To mount to any Gamber-Johnson **Motion Attachment** use Gamber-Johnson's *Universal Adapter Bracket* (Item No. 7160-0454)
- Rugged, impact resistant design combines heavy gauge, powder-coat steel and Polycarbonate Plastic for long-term durability
- Easy access to stylus when computer is docked
- Easy to use one-handed operation:
 - Insert computer into docking station, push top of computer against latch button until latch engages
 - To remove, push down on latch-button with palm of hand to disengage and pull computer out of docking station
- USB cable restraint system - secures two USB cables with the provided brackets; the third USB slot allow for use of removable flash drive
- Standard key lock for security:
 - Docking stations are keyed alike
 - Lock use is optional
- Testing and Certifications:
 - This product has passed the appropriate tests to qualify for the Toughbook Certified status.
 - Tested per MIL-STD 810G criteria
 - Vibration
 - Crash Hazard Shock
 - Functional Shock
 - Operating Temperature: 30° F to 80° F
 - Latch Cycle Test - 10,000 cycles
 - RoHS compliant
 - FCC Class B
 - CE Automotive Mark
- 3 year limited warranty (circuit board, connector and docking station body)

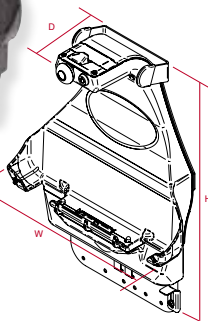
Note: Panasonic Toughbook H1 computer will not work in this docking station or cradle

Port Replicator (Docking Station Only)

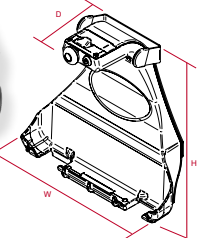
- USB (3) 4 pin
- Ethernet RJ45
- Serial (1) D-sub 9 pin
- VGA D-sub 15 pin
- Power supply input DC 16V



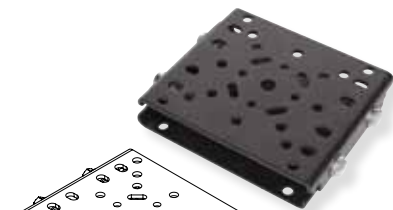
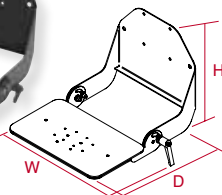
Shown: 7160-0348



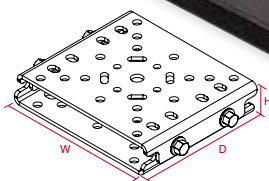
Shown: 7160-0349



Shown: 7160-0180



Shown: 7160-0454



Shown: 7160-0320



Shown: 7160-0385

Panasonic Toughbook H2 Vehicle Mounting Solutions Accessories

Item No.	Description	Placement	Weight	Height	Width	Depth
7160-0180	Keyboard Tray	Attaches to the back of the <i>Panasonic Toughbook H2 Vehicle Docking Stations and Cradles</i> using the 75mm VESA pattern	2.85 lbs	8.31"	10.95"	12.32"
7160-0454	Universal Adapter Bracket	Attaches to the back of the <i>Panasonic Toughbook H1/H2 Healthcare Docking Stations and Cradles</i> and the wall	0.85 lbs.	0.97"	5.0"	5.0"
7160-0320	H1/H2 Battery Bracket Assembly - prevents the battery from being easily stolen	Brackets attach directly to the back of the H1/H2 Toughbook Computer, under the computer hand strap using existing screws	1.0 lbs.	NA	NA	NA
7160-0385	Panasonic Toughbook H1 Vehicle Docking Station/Cradle Upgrade Kit Includes: - CF-H2 backer plate - Vinyl caps - Instruction sheet	Converts a <i>Panasonic Toughbook H1 Vehicle Docking Station</i> (Item No. 7160-0223) and <i>Cradle</i> (Item No. 7160-0224) to be able to work with the H2 computer	0.90 lbs.	NA	NA	NA

Coming soon,
a docking station for the
Panasonic M1 tablet computer.
Visit our website for the most
up-to-date information.

Motorola MW810 Mounting Solutions

Motorola MW800/MW810 Tilt & Swivel Folding Display & Keyboard Holder

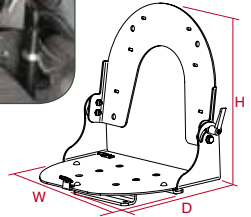
Item No.	Tilt	Swivel	Weight	Height	Width	Depth
7110-0913	Display can easily be tilted forward up to 90° or back toward the dash 45°	Both display and keyboard can be swiveled together up to 60° right/60° left	9.0 lbs.	13.9"	14.9"	10.1"

Features

- Can be mounted to any flat horizontal surface or most Gamber-Johnson **Motion Attachments**
- The display can easily be tilted forward up to 90° or back toward the dash 45°
- Keyboard can be quickly removed and inserted
- Heavy gauge steel construction for long-term durability
- Black powdercoat finish for maximum corrosion resistance



Shown:
7110-0913



Dell Cradles & Docking Stations

Dell E-Series Docking Cradle (for use with Dell E-Port or E-Port Plus Port Replicator)

Item No.	Description	Weight	Height	Width	Depth
7160-0201	Cradle wraps around the Dell E-Port or E-Port Plus Port Replicator to form a Docking Cradle for the Dell E6400/E6410/E6420 Series (includes ATG computers)	6.5 lbs	3.9"	14.1"	13.8"
7160-0202	Cradle wraps around the Dell E-Port or E-Port Plus Port Replicator to form a Docking Cradle for the Dell E6500/E6510 Series (includes ATG computers)	6.5 lbs	3.9"	14.7"	14.4"

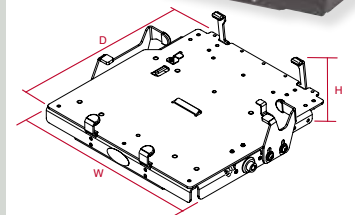
Features

- The *Dell E-Series Docking Cradle* must attach to the E-Port or E-Port Plus Port Replicator (sold separately). The E-Port or E-Port Plus Port Replicator can be purchased through Dell or any authorized Dell reseller
- Push button barrel lock, deters laptop theft and allows for easy computer placement and removal
- Rugged side, front and rear hold-down brackets secure computer and port replicator in cradle keeping equipment and mobile workers safe
- Side brackets are easily adjustable to fit the height of the computer and won't block critical ports or the CD/DVD bay
- Rear port replicator brackets can be adjusted to accommodate the E-Port or E-Port Plus Port Replicator and allow access to all ports on the port replicator
- Vibration tested to MIL-STD-810G and shock tested to 40G, 11 millisecond (non-operational)
- The optional *Shock/Vibration Isolator Plate* (Item No. 7160-0351) is highly recommended for non-rugged laptop computers
- 3 year limited warranty (on all sheet metal components)
- Aluminum structure for reduced overall weight
- Rugged construction for long-term durability
- Black powdercoat finish for maximum corrosion resistance

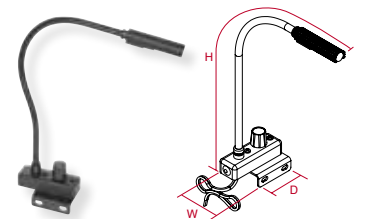
Note: - Docking cradle is not compatible with the Dell E6400 XFR fully ruggedized computer.
- The Dell port replicator used in the Dell E-Series Docking Cradle is not warranted by Gamber-Johnson, please refer to the warranty provided by Dell for the port replicator



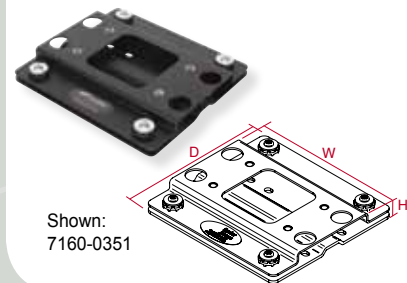
Shown:
7160-0201



Shown: 7160-0203



Shown: 7160-0095



Shown:
7160-0351

Dell E6400/E6400 ATG/E6500 Docking Cradle Accessories

Item No.	Description	Placement	Weight	Height	Width	Depth
7160-0203	Screen Support	Attaches to either side of any Dell E-Series Docking Cradle (Item No. 7160-0201 or 7160-0202)	0.7 lbs	8.0"	2.0"	2.0" to 2.4"
7160-0095	LED Light Assembly	Attaches to either side of any Dell E-Series Docking Cradle (Item No. 7160-0201 or 7160-0202)	0.5 lbs.	17.0"	2.28"	1.56"
7160-0351	Shock/Vibration Isolator Plate <i>Note: Computer and Cradle combined should not exceed 30 lbs.</i>	Positioned between any Motion Attachment and any NotePad™ V Universal Computer Mount	2.43 lbs	0.85"	7.0"	6.5"
7120-0568	Dell E6420 Clip package <i>Note: buy this only if you already have a Dell E-Series Docking Cradle (Item No. 7160-0201)</i>	Replaces clips on the Dell E-Series Docking Cradle (Item No. 7160-0201)	0.3 lbs.	NA	NA	NA

Getac Docking Stations



PAGE 97

Getac B300 MAG™ Docking Station

Features/Benefits

- Designed to work with the Getac B300 computer
- Power switch on front of dock for power by-pass capability
- Four (4) USB ports and one (1) Ethernet port
- Internal power supply standard with all docking stations
- Available in No-RF and Dual RF



PAGE 98

Getac S400 Docking Station

Features/Benefits

- Designed to work with the Getac S400 computer
- Front facing ports with integrated cable strain relief system
- Three (3) USB ports and one (1) Ethernet port
- Screen support included with the docking station
- Available in No-RF and Dual RF



PAGE 99

Getac V110 Docking Station

Features/Benefits

- Designed to work with the Getac V110 convertible computer
- Docking Station can be mounted either in vertical (tablet) or in horizontal (laptop) orientation
- Four (4) USB ports and one (1) Ethernet port
- Screen support included with the docking station
- Available in No-RF and Triple RF

Getac B300 MAG™ Docking Station

Item No.	Antenna Pass-Through	Weight	Height	Width	Depth
7160-0526-00	NA	4.75 lbs.	3.80"	12.40"	13.10"
7160-0526-02	Dual RF (TNC)	4.75 lbs.	3.80"	12.40"	13.10"

Features

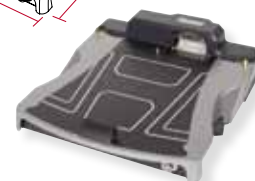
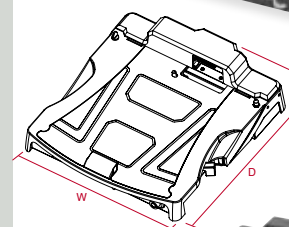
- Light-weight Magnesium Alloy body for long-term durability in a rugged environment
- Designed using MIL-STD-810G test procedures and complies with FCC Class A standards
- Designed for the Getac B300 computer
- Power switch with LED light and optional by-pass capability – Red LED indicates power to the docking station
- Internal/protected circuit board and power supply protect against dirt and dust
- Interlocking mechanism protects against connector damage and prevents engagements until properly mounted
- Brass locating pins for precise computer placement
- Floating docking connector for reliable docking connection
- Forward facing ports for low mounting capability, minimal cable strain and minimal swivel resistance
- Keyed alike lock, push button key lock releases docking connector (lock use is not necessary for continued, positive docking engagement)
- Simple, one-handed, docking mechanism:
 - Pull side handle towards you to dock
 - Push key lock button to release and undock computer
- 1 year limited warranty (printed circuit board, docking connector and docking station body)
- Powder coat finish for maximum corrosion resistance

Port Replicator

- Serial (2) D-sub 9 pin
- USB (4) 4 pin
- Ethernet RJ45
- External video D-sub 15 pin
- Keyboard
- Mouse
- Headphones/speakers
- Microphone

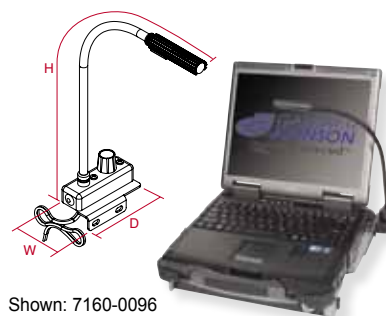


Shown: Getac B300 Docking Station

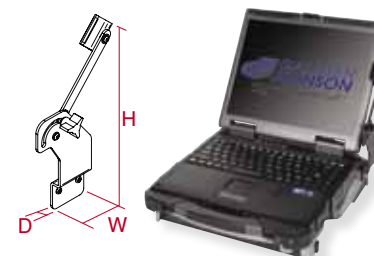


Getac B300 MAG™ Docking Station Accessories

Item No.	Description	Placement	Weight	Height	Width	Depth
7160-0096	LED Light Assembly	Attaches to right side of the Getac B300 MAG™ Docking Station	0.5 lbs	17.0"	3.0"	1.56"
7160-0060	Screen Support	Attaches to right side of the Getac B300 MAG™ Docking Station	0.5 lbs	10.0"	2.31"	0.25"
7160-0398	Trunk Shelf Mounting Plate	Used to raise the Getac B300 MAG™ Docking Station to provide clearance for cables when mounting to a flat surface (usually trunk applications)	3.6 lbs.	2.30"	10.25"	5.5"



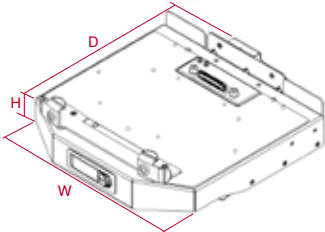
Shown: 7160-0096



Shown: 7160-0060

Getac Docking Stations

NEW



Shown: 7160-0505-00



Getac S400 Docking Station

Item No.	Antenna Pass-Through	Weight	Height	Width	Depth
7160-0505-00	NA	7.75 lbs.	4.2"	12.3"	12.2"
7160-0505-02	Dual RF (SMA)	7.75 lbs.	4.2"	12.3"	12.2"

Features

- Designed using MIL-STD-810G test procedures and complies with FCC Class A standards
- Designed for the Getac S400 computer
- Front safety bracket helps align computer for proper docking connectivity
- Floating docking connector for reliable docking connection
- Front-facing I/O ports, integrated cable strain relief system
- Push button latch with keyed lock for theft deterrence:
 - Push the latch to release the docking connector
 - Insert computer and push latch closed to dock computer
- Screen support is included with the docking station
- Passed SAE Standard J1455 Crash Test
- 3 year limited warranty (printed circuit board and docking connector)
- Limited lifetime warranty on all non-electronic components (sheet metal)
- Rugged aluminum/steel construction with black powder coat finish for long-term durability

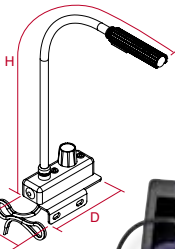
Port Replicator

- Serial (2)
- USB (3)
- eSATA
- Ethernet
- Parallel
- VGA
- DVI
- Display Port
- External video
- Keyboard (PS2)
- Mouse (PS2)
- Headphones/speakers
- Microphone
- RF Pass-through (Optional)



Getac S400 Docking Station Accessories

Item No.	Description	Placement	Weight	Height	Width	Depth
7160-0096	LED Light Assembly	Attaches to right side of the <i>Getac S400 Docking Station</i>	0.5 lbs.	17.0"	3.0"	1.56"
15110	External Lind Automobile Cigarette Power Adapter (Getac S400)	For use with the following <i>Getac S400 Docking Stations</i> (Item No. 7160-0505-00 and 7160-0505-02)	1.01 lbs.	1.2"	2.5"	5.15"



Shown: 7160-0096



NEW



Shown: 15110

Getac V110 Docking Station

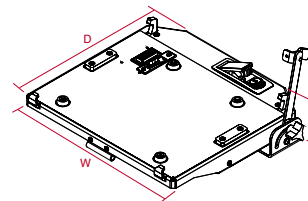
Item No.	Antenna Pass-Through	Weight	Height	Width	Depth
7160-0515-00	NA	3.8 lbs.	1.38"	11.6"	10.75"
7160-0515-03	Triple RF (SMA)	3.8 lbs.	1.38"	11.6"	10.75"

Features

- Designed using MIL-STD-810G test procedures and complies with FCC Class A standards
- Designed for the Getac V110 convertible computer
- Front safety bracket helps align computer for proper docking connectivity
- POGO pin style docking connector for easy docking activation
- Front-facing I/O ports, integrated cable strain relief system
- Built-in stylus holder
- Push button latch with keyed lock for theft deterrence:
 - Push the latch to release the docking connector
 - Insert computer and push latch closed to dock computer
- Screen support is included with the docking station
- SAE Standard J1455 Crash Test (pending)
- 3 year limited warranty (printed circuit board and docking connector)
- Limited lifetime warranty on all non-electronic components (sheet metal)
- Rugged aluminum construction with black powder coat finish for long-term durability

Port Replicator

- Ethernet (1) RJ45
- USB (4)
 - 2.0 (3) 4 pin
 - 3.0 (1) 9 pin
- Serial (2) D-sub 9 pin
- Video (2)
 - VGA D-sub 15 pin
 - HDMI 19 pin
- Headphones/Speakers Stereo phono jack
- Microphone Mono phono jack
- RF Pass through (Optional) SMA
- Power In



Shown: 7160-0515-00



Getac V110 Docking Station Accessories

Item No.	Description	Placement	Weight	Height	Width	Depth
15110	External Lind Automobile Cigarette Power Adapter (Getac V110)	For use with the following Getac V110 Docking Stations (Item No. 7160-0515-00 and 7160-0515-03)	1.0 lbs.	1.2"	2.5"	5.15"



Shown: 15110

Coming soon,
a docking station for the
Getac F110 tablet computer.
Visit our website for the most
up-to-date information.

TabCruzer®

**Locking and charging
vehicle docking station**

TabCruzer provides:

- >> charging on the go
- >> easy syncing
- >> audio output
- >> locking protection



Made for
iPad

TabCruzer for iPad® (3rd generation)/iPad 2/iPad

Item No.	Description	Weight	Height	Width	Depth
7160-0345	For use with iPad (3rd generation)/iPad 2/iPad, keyed differently	1.5 lbs.	10.85"	8.26"	1.95"
7160-0345-01	For use with iPad (3rd generation)/iPad 2/iPad, keyed alike	1.5 lbs.	10.85"	8.26"	1.95"

Features

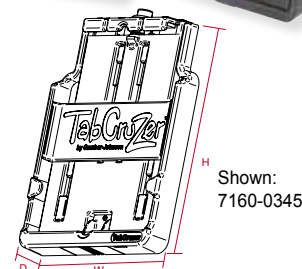
- Compatible with iPad (3rd generation), iPad 2 and iPad
- Small footprint is ergonomically designed to maximize space
- Made from rugged, Polycarbonate ABS molded Plastic for durable, long-lasting use
- Matte black textured finish
- Removable insert makes switching between computer models easy
- 12-Volt DC Car Charger and USB to Micro-USB Cable (included) allows for charging in the vehicle
- USB Cable unplugs from the Car Charger and plugs into computer for easy syncing
- Output your music using the 3.5mm Stereo Cable (included) to playback music through your auxiliary devices
- Push button, spring loaded mechanism allows for quick, one-handed docking and undocking plus the ability to lock device for additional security
- iPad (3rd generation), iPad 2 and iPad is connected through Apple 30 pin connector
- Key options:
 - **Keyed Differently:** Randomly keyed differently
 - **Keyed Alike:** All keys are the same
- Easy to use one-handed operation:
 - Insert computer into docking station, push down the top of docking station against computer until latch engages
 - To remove, push down on the button to disengage and pull computer out of docking station
- AMPS & NEC Mounting Patterns is compatible with most small electronic mounts (mount not included) (see pg. 4 for hole pattern definitions)
- To mount to a Gamber-Johnson Motion Attachment you have two options:
 - If you have an existing Gamber-Johnson Clevis (Item No. 7160-0419), Mongoose (7160-0220) or CLEVIS 0-90T use the **TabCruzer Interface Plate** (Item No. 7160-0408)
 - If you don't have a Gamber-Johnson Clevis (Item No. 7160-0419), Mongoose (7160-0220) or CLEVIS 0-90T use **MAX3 Solution** (Item No. 7170-0156)
- Testing and Certifications:
 - Tested per MIL-STD 810G criteria
 - Vibration
 - Crash Hazard Shock
 - Functional Shock
 - Latch Cycle Test - 3,000 cycles
 - RoHS compliant
 - FCC Class B
- All cables are included (12-volt DC adapter, USB to Micro-USB cable and 3.5mm Stereo Cable)
- 1 year limited warranty

Port Replicator

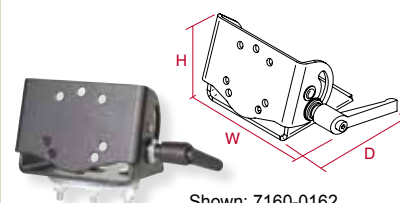
- Micro USB (1) A/B
- Audio Out 3.5mm Stereo

TabCruzer Mounting Options

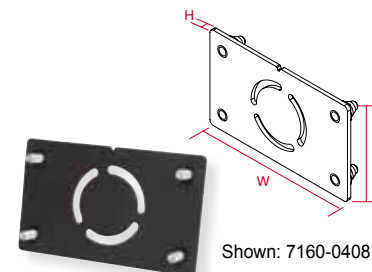
Item No.	Description	Placement	Tilt	Swivel	Weight	Height	Width	Depth
7160-0162	Standard Motion Attachment with AMPS pattern	Attaches to the back of the TabCruzer using the AMPS pattern, then attaches to any Upper Pole or "smiley face" pattern device	Yes - up to 72° fore/40° aft	Yes - up to 60° right/60° left	1.04 lbs.	2.62"	5.16"	3.13"
7160-0408	TabCruzer Interface Plate	Attaches to the back of the TabCruzer using the AMPS pattern, then attaches to Gamber-Johnson's 7160-0419 (CLEVIS) or CLEVIS 0-90T Motion Attachments	No	Yes - from portrait to landscape	0.6 lbs.	0.75"	5.0"	3.0"
7160-0399	Flexible Pedestal Mount	Attaches to the back of the TabCruzer using the NEC pattern, then attaches to seat stud in most vehicles	Yes - 4.0" of flexible arm	Yes - from portrait to landscape	2.2 lbs.	25.43"	2.5"	4.5"
7170-0156	MAX3 Mounting Solution for TabCruzer (includes part numbers 7160-0296 and two 14144)	Attaches to the back of the TabCruzer using the AMPS and NEC mounting pattern	Yes	Yes	1.05 lbs.	9.64"	3.38"	2.38" dia.



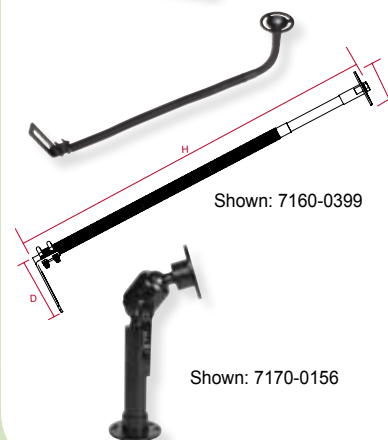
Shown: 7160-0345



Shown: 7160-0162



Shown: 7160-0408



Shown: 7160-0399

Shown: 7170-0156

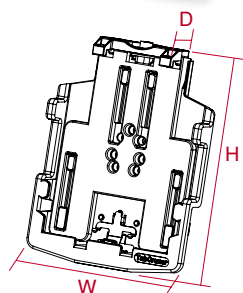


TabCruzer

TabCruzer® for iPad® and OtterBox® Defender Series® Case Docking Station



NEW



Shown: 7160-0453



Item No.	Description	OtterBox Defender Series Case Included	Power Cables Included	Weight	Height	Width	Depth
7160-0453-01	For use with iPad (3rd generation)/iPad 2 and OtterBox Defender series case	No	No	1.15 lbs.	11.6"	8.8"	2.4"
7160-0453-03	For use with iPad (3rd generation)/iPad 2 and OtterBox Defender series case	Yes	No	3.31 lbs.	11.6"	8.8"	2.4"
7170-0186-01	For use with iPad (3rd generation)/iPad 2 and OtterBox Defender series case	No	Yes	1.15 lbs.	11.6"	8.8"	2.4"
7170-0186-03	For use with iPad (3rd generation)/iPad 2 and OtterBox Defender series case	Yes	Yes	3.31 lbs.	11.6"	8.8"	2.4"

TabCruzer Features

- Compatible with iPad (3rd generation) and iPad 2 with Apple 30 pin connector (7160-0453 series and 7170-0186 series)
- Compatible with OtterBox Defender series case
- Small footprint is ergonomically designed to maximize space
- Made from rugged, Polycarbonate ABS molded plastic for durable, long-lasting use
- Matte black textured finish
- Output your music using the 3.5 mm Stereo Cable (included) to playback music through your auxiliary devices
- Docking station mechanism helps to clear the connector cover from the OtterBox Defender series case to dock the iPad
- Integrated key lock: locks are keyed the same
- Easy to use one-handed operation:
 - Insert iPad into docking station, push down the top of docking station against the iPad until latch engages
 - To remove, push down on the button to disengage and pull the iPad out of docking station
- AMPS & NEC Mounting Patterns is compatible with most small electronic mounts (mount not included) (see pg. 4 for hole pattern definitions)
- To mount to a Gamber-Johnson Motion Attachment you have two options:
 - If you have an existing Gamber-Johnson Clevis (Item No. 7160-0419), Mongoose (7160-0220) or CLEVIS 0-90T use the **TabCruzer Interface Plate (Item No. 7160-0408)**
 - If you don't have a Gamber-Johnson Motion Attachment use **MAX3 Solution (Item No. 7170-0156)**
- Power cables (12-volt DC cigarette adapter and USB Cable) are included with the following Item No. 7170-0186-01 and 7170-0186-03
- 1 year limited warranty

Note: Please contact Gamber-Johnson's Sales Department if you require a lock that is keyed differently per docking station for your fleet.

OtterBox Defender Series Case Features

- Compatible with iPad (3rd generation) and iPad 2
- OtterBox Defender series case comes with **TabCruzer (Item No. 7160-0453-03 and 7170-0186-03)**
- Screen Protection: Built-in screen protector prevents scratches; smudges and fingerprints easily wash off surface
- Outer Layer: Durable silicone absorbs bump and shock
- Inner Layer: Two polycarbonate pieces firmly snap together to provide solid impact protection
- Memory foam pads cradle the iPad inside the case and provide additional shock absorption
- Shield Stand: Supports viewing in portrait or landscape mode and accommodates a natural typing angle. Integrated shield stand fits on both front and back of case. **Shield will not work when used in the TabCruzer.**

Port Replicator

- USB (1) 4 pin
- Audio Out 3.5mm Stereo

TabCruzer® for iPad® and OtterBox® Defender Series® Case Docking Station Accessories

Item No.	Description	iPad Models	Weight	Height	Width	Depth
14830	OtterBox Defender series case for use with the following <i>TabCruzer for iPad Docking Stations</i> (Item No. 7160-0453-01, and 7170-0186-01)	iPad 3rd gen/iPad 2	1.0 lb.	9.9"	7.73"	0.72"
7120-0602	Power Cable Kit (Cigarette Adapter Power Supply and USB Cable) for use with the following <i>TabCruzer for iPad Docking Stations</i> (Item No. 7160-0453-01 and 7160-0453-03)	iPad 3rd gen/iPad 2	1.0 lb.	NA	NA	NA



Shown: 14830

NEW



Shown: 7120-0602

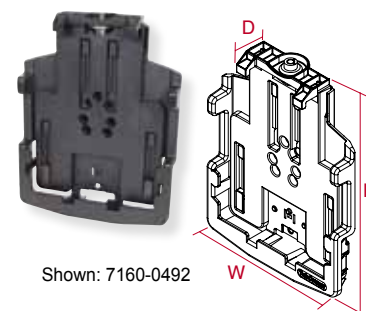
TabCruzer® for iPad® and OtterBox® Defender Series® Case Cradle

Item No.	Description	OtterBox Defender Series Case Included	Weight	Height	Width	Depth
7160-0492-01	For use with iPad (4th generation), iPad (3rd generation)/iPad 2 and OtterBox Defender series case	No	1.15 lbs.	11.6"	8.8"	2.4"
7160-0492-03	For use with iPad (4th generation), iPad (3rd generation)/iPad 2 and OtterBox Defender series case	Yes	1.15 lbs.	11.6"	8.8"	2.4"

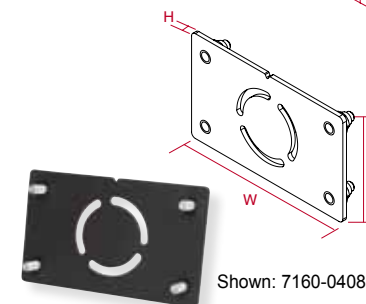
Features

- Compatible with iPad (4th generation), iPad (3rd generation) and iPad 2
- Compatible with OtterBox Defender series case
- Small footprint is ergonomically designed to maximize space
- Made from rugged, Polycarbonate ABS molded plastic for durable, long-lasting use
- Matte black textured finish
- Designed for use with OEM or aftermarket cables (not provided, must be purchased separately)
- Cradle mechanism helps to clear the connector cover from the OtterBox Defender series case to insert the iPad
- Integrated key lock: locks are keyed the same
- Easy to use one-handed operation:
 - Insert iPad into cradle, push down the top of cradle against the iPad until latch engages
 - To remove, push down on the button to disengage and pull the iPad out of cradle
- AMPS & NEC Mounting Patterns is compatible with most small electronic mounts (mount not included) (see pg. 4 for hole pattern definitions)
- To mount to a Gamber-Johnson Motion Attachment you have two options:
 - If you have an existing Gamber-Johnson Clevis (Item No. 7160-0419), Mongoose (7160-0220) or CLEVIS 0-90T use the *TabCruzer Interface Plate* (Item No. 7160-0408)
 - If you don't have a Gamber-Johnson Motion Attachment use *MAX3 Solution* (Item No. 7170-0156)
- 1 year limited warranty

Note: Please contact Gamber-Johnson's Sales Department if you require a lock that is keyed differently per cradle for your fleet.



Shown: 7160-0492



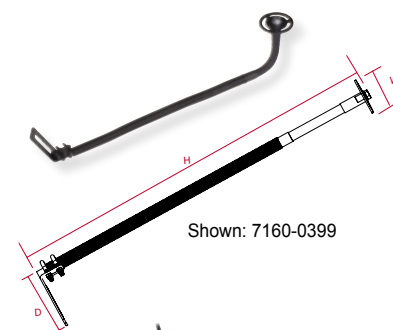
Shown: 7160-0408

TabCruzer® for iPad® and OtterBox® Defender Series® Case Cradle Accessory

Item No.	Description	iPad Models	Weight	Height	Width	Depth
14830	OtterBox Defender series case for use with the following <i>TabCruzer for iPad Cradle</i> (Item No. 7160-0492-01)	iPad 4th gen/iPad 3rd gen/iPad 2	1.0 lb.	9.9"	7.73"	0.72"

TabCruzer Mounting Options for iPad Docking Station or Cradle

Item No.	Description	Placement	Tilt	Swivel	Weight	Height	Width	Depth
7160-0408	TabCruzer Interface Plate	Attaches to the back of any <i>TabCruzer</i> using the AMPS pattern, then attaches to Gamber-Johnson's Clevis (Item No. 7160-0419), Mongoose (Item No. 7160-0220) or CLEVIS 0-90T Motion Attachments	No	Yes - from portrait to landscape	0.6 lbs.	0.75"	5.0"	3.0"
7160-0399	Flexible Pedestal Mount	Attaches to the back of any <i>TabCruzer</i> using the NEC pattern, then attaches to seat stud in most vehicles	Yes - 4.0" of flexible arm	Yes - from portrait to landscape	2.2 lbs.	25.43"	2.5"	4.5"
7170-0156	MAX3 Mounting Solution for TabCruzer (includes part numbers 7160-0296 and two 14144 plates)	Attaches to the back of any <i>TabCruzer</i> using the AMPS and NEC mounting pattern	Yes	Yes	1.05 lbs.	9.64"	3.38"	2.38" dia



Shown: 7160-0399



Shown: 7170-0156



MAX³ MOUNTING SOLUTION



Every gadget needs me.

MAX³ is a mounting solution that gives you more. MAXimum versatility, flexibility and durability.

BENEFITS:

- Holds a variety of devices
- Multi-configurable
- Withstands industry wear and tear
- Moves all-axis for convenient device use
- Available in three different sizes



Small (holds up to 1 lb.)



Medium (holds up to 3 lbs.)



Large (holds up to 7 lbs.)

MAX³ Solutions

To configure your solution you must select a Kit, a Device Plate and a Base Plate

Item No.	Description	Weight	Height	Width	Depth
<i>Kits (includes Knuckle, Extension and Thread Adapter)</i>					
7160-0292	Small Knuckle, 50mm Extension (holds up to 1 lb.)	0.35 lbs	5.50"	2.75"	1.26" diameter
7160-0293	Small Knuckle, 100mm Extension (holds up to 1 lb.)	0.45 lbs	7.50"	2.75"	1.26" diameter
7160-0294	Small Knuckle, 150mm Extension (holds up to 1 lb.)	0.50 lbs	9.50"	2.75"	1.26" diameter
7160-0295	Medium Knuckle, 50mm Extension (holds up to 3 lbs.)	0.55 lbs	5.88"	3.38"	1.54" diameter
7160-0296	Medium Knuckle, 100mm Extension (holds up to 3 lbs.)	0.65 lbs	7.88"	3.38"	1.54" diameter
7160-0297	Medium Knuckle, 150mm Extension (holds up to 3 lbs.)	0.70 lbs	9.88"	3.38"	1.54" diameter
7160-0298	Large Knuckle, 50mm Extension (holds up to 7 lbs.)	1.05 lbs	7.00"	3.88"	2.05" diameter
7160-0299	Large Knuckle, 100mm Extension (holds up to 7 lbs.)	1.15 lbs	9.00"	3.88"	2.05" diameter
7160-0300	Large Knuckle, 150mm Extension (holds up to 7 lbs.)	1.20 lbs	10.88"	3.88"	2.05" diameter
<i>Device Mounting Plates</i>					
14139	75mm VESA plate	0.20 lbs	0.88"	3.75"	3.75"
14140	100mm VESA plate	0.25 lbs	0.88"	4.75"	4.75"
14144	Round Plate	0.10 lbs	0.88"	NA	2.38" diameter
<i>Base Plates</i>					
14144	Round Plate	0.10 lbs	0.88"	NA	2.38" diameter
14146	Quick Release Round Plate	0.30 lbs	1.25"	NA	2.50" diameter
7160-0440	Pole Mount	0.50 lbs	4.12"	2.75"	1.87"
14649	Suction Cup	0.80 lbs	2.0"	NA	4.75" diameter



Shown: 7160-0296, 14139, 14144

With an all metal construction, all axes movement and the ability to hold a wide variety of devices, MAX3 is more versatile, more durable and more flexible.

- Numerous mounting plates designed for device adaption – use with ultramobile PCs, handheld devices, PDAs, cell phones and more
- All metal construction (anodized aluminum) will not deform or degrade
- MIL-810F tested
- Quick adjust handle for easy adjustment to position the device at the desired angle
- All axes range of motion in X axis (left/right), Y axis (front/back) and Z axis (up/down)
- Multi-Configurable – extension tubes of various lengths work to achieve desired reach
- Encapsulated ball design offers theft deterrence
- 1 year limited warranty by Zirkona

MAX³ MOUNTING SOLUTION

MAX³ Individual Components



Shown: 14139



Shown: 14140



Shown: 14141



Shown: 14142



Shown: 14143



Shown: 14145



Shown: 14144



Shown: 14146



Shown: 7160-0440



Shown: 7160-0440

Item No.	Description	Weight	Height	Width	Depth
<i>Knuckles</i>					
7160-0286	Small Knuckle (holds up to 1 lb.)	0.25 lbs	3.62"	2.75"	1.26" diameter
7160-0287	Medium Knuckle (holds up to 3 lbs.)	0.45 lbs	4.00"	3.38"	1.54" diameter
7160-0288	Large Knuckle (holds up to 7 lbs.)	0.95 lbs	5.00"	3.88"	2.05" diameter
<i>Extensions</i>					
7160-0289	50mm Extension	0.05 lbs	2.00"	NA	1.00" diameter
7160-0290	100mm Extension	0.15 lbs	4.00"	NA	1.00" diameter
7160-0291	150mm Extension	0.20 lbs	6.00"	NA	1.00" diameter
<i>Thread Adapter</i>					
14145	Thread Adapter to connect extension to base plate	0.05 lbs	1.00"	NA	0.77" diameter
<i>Device Mounting Plates</i>					
14139	75mm VESA plate	0.20 lbs	0.88"	3.75"	3.75"
14140	100mm VESA plate	0.25 lbs	0.88"	4.75"	4.75"
14144	Round Plate (AMPS and NEC)	0.10 lbs	0.88"	NA	2.38" diameter
<i>Base Plates</i>					
14144	Round Plate (AMPS and NEC)	0.10 lbs	0.88"	NA	2.38" diameter
14146	Quick Release Round Plate	0.30 lbs	1.25"	NA	2.50" diameter
7160-0440	Pole Mount	0.50 lbs	4.12"	2.75"	1.87"
14649	Suction Cup	0.80 lbs	2.0"	NA	4.75" diameter

**SEE PAGE 4 FOR HOLE
PATTERN DEFINITIONS**

Index

3" DS-POLE	29	7160-0162	33, 101	7160-0318-02	90
3130-0152	51	7160-0164	48	7160-0318-04	90
3130-0153	51	7160-0177	29	7160-0318-05	90
3130-0154	51	7160-0178	29	7160-0318-06	90
3130-0155	51	7160-0180	93, 94	7160-0320	93, 94
3130-0156	51	7160-0182	22	7160-0321	58
3130-0361	51	7160-0185	18	7160-0322	58
7110-0297	31	7160-0190	14	7160-0323	24
7110-0350	48	7160-0198	22	7160-0325	47
7110-0643	89	7160-0201	95	7160-0326	43
7110-0913	95	7160-0202	95	7160-0327	43
7110-0998	41	7160-0203	95	7160-0329	24
7110-0999	41	7160-0210	71	7160-0330	71
7110-1000	41	7160-0215	86	7160-0332	55
7110-1001	43, 45	7160-0220	36	7160-0333	50
7110-1012	42	7160-0230	31	7160-0336	43
7110-1013	42	7160-0231	31	7160-0337	56
7120-0519	77	7160-0234	23	7160-0338	57
7120-0531	77	7160-0237	50	7160-0339	59
7120-0549	92	7160-0245	23	7160-0341	37
7120-0568	95	7160-0248	22	7160-0342	24
7120-0579	44	7160-0250	76	7160-0343	77
7120-0587	77	7160-0250-01	76	7160-0344	91
7120-0602	103	7160-0250-02	76	7160-0345	101
7160-0006	52, 73	7160-0251	77	7160-0345-01	101
7160-0008	18	7160-0251-01	77	7160-0348	94
7160-0028	51	7160-0252	77	7160-0349	94
7160-0033	19	7160-0253	77	7160-0350	25
7160-0035	73	7160-0260	23	7160-0351	77, 95
7160-0036	19	7160-0264-00	87	7160-0352	25
7160-0045	19	7160-0264-02	87	7160-0353	43
7160-0046	19	7160-0264-03	87	7160-0354	43
7160-0049	86	7160-0264-04	87	7160-0356	68
7160-0053	37	7160-0264-05	86	7160-0357	68
7160-0054	48	7160-0267	58	7160-0358	93
7160-0055	20	7160-0268	33	7160-0359	93
7160-0060	97	7160-0272	81	7160-0363	69
7160-0062	20	7160-0273	81	7160-0364	69
7160-0063	51	7160-0275	81	7160-0365	69
7160-0073	86	7160-0276	81	7160-0366	69
7160-0079	65	7160-0277	81	7160-0367	69
7160-0082	65	7160-0281	24	7160-0368	69
7160-0084	48	7160-0284	35	7160-0369	69
7160-0085	49	7160-0285	35	7160-0370	68
7160-0086	49	7160-0286	106	7160-0371	68
7160-0088	48	7160-0287	106	7160-0375	53
7160-0090	20	7160-0288	106	7160-0378	40
7160-0095	89, 95	7160-0289	106	7160-0379	40
7160-0096	91, 97, 98	7160-0290	106	7160-0380	41
7160-0099	54	7160-0291	106	7160-0381	25
7160-0100	54	7160-0292	105	7160-0385	94
7160-0101	88	7160-0293	105	7160-0386	41, 46
7160-0102	65	7160-0294	105	7160-0388	55
7160-0103	65	7160-0295	105	7160-0389	55
7160-0104	65	7160-0296	105	7160-0392	74
7160-0105	65	7160-0297	105	7160-0393-00	88
7160-0106	55	7160-0298	105	7160-0393-02	88
7160-0110	54	7160-0299	105	7160-0393-04	88
7160-0114	21	7160-0300	105	7160-0393-06	88
7160-0116	21	7160-0301	48	7160-0396	34
7160-0117	48	7160-0302	81	7160-0398	86, 91, 97
7160-0121	48	7160-0312	47	7160-0399	101, 103
7160-0126	73	7160-0313	54	7160-0402	76
7160-0133	21	7160-0318-00	90	7160-0403	25
7160-0160	48	7160-0318-01	90	7160-0406	56

Index

7160-0408	101, 103	7160-0509	48	15082	52
7160-0409	45	7160-0510	26	15083	52
7160-0410	45	7160-0512	86	15087	59
7160-0411	44	7160-0514	35	15110	98, 99
7160-0412	44	7160-0515-00	99	15130	51
7160-0413	48	7160-0515-03	99	ABF-KIT	31
7160-0415	89	7160-0516	52	CLEVIS 0-90T	33
7160-0418	68	7160-0517	52	DS-52	14
7160-0419	33	7160-0520	26	DS-53	14
7160-0420	69	7160-0521-00	40	DS-55	14
7160-0421	69	7160-0521-01	40	DS-56	14
7160-0422	48	7160-0522	58	DS-57	15
7160-0425	74	7160-0523	57	DS-74	31
7160-0427	36	7160-0524	42, 45, 46	DS-74-L	31
7160-0428	88	7160-0525	52	DS-100	15
7160-0429	42, 43, 45, 46	7160-0526-00	97	DS-100-PLATE	15
7160-0430	42, 45, 46	7160-0526-02	97	DS-112	15
7160-0431	44	7160-0527	27	DS-114	15
7160-0432	57	7160-0528	59	DS-118	16
7160-0434	41	7160-0532	27	DS-122	16
7160-0435	41	7160-0536	27	DS-124	16
7160-0436	33	7160-0537	27	DS-138	16
7160-0438	46	7170-0093	82, 91	DS-140	17
7160-0440	105, 106	7170-0095	82	DS-144	17
7160-0444	44, 46	7170-0096	82	DS-146	17
7160-0445	42	7170-0099	82, 87	DS-150	18
7160-0446	42	7170-0100	82	DS-LOWER-5	29
7160-0448	47	7170-0125	65	DS-LOWER-7	29
7160-0449	47	7170-0126	78	DS-LOWER-9	29
7160-0451	26	7170-0127	78	DS-LOWER-13	29
7160-0453-01	102	7170-0156	101, 103	DS-POLE-CTR	29
7160-0453-03	102	7170-0186-01	102	DS-STEP	31
7160-0454	37, 85, 86, 93, 94	7170-0186-03	102	DS-UPPER	30
7160-0458	59	7170-0191	70	DS-UPPER-5	30
7160-0459	58	7170-0192	78	DS-UPPER-L	30
7160-0460	56	7170-0193	78	DS-UPPER-M	30
7160-0462	58	7170-0194	84	DS-UPPER-M5	30
7160-0464	42	7170-0217	80	FACEPLATES	60-63
7160-0465	57	7170-0218	80	KEYBOARD-ARM	71
7160-0466	57	7170-0219	80	KEYBOARD-BRKT	72
7160-0471	84	11634	86, 92	LOWSWIVEL	33
7160-0472-04	84	11798	86, 92	MCS-ARMREST	52
7160-0473-00	84	13791	78, 92	MCS-ARMREST5	52
7160-0486-00	85	13792	78, 92	MCS-COMBRKT	55
7160-0486-02	85	14103	91, 92	MCS-CUP	53
7160-0487-00	85	14139	105, 106	MCS-CUP2	53
7160-0487-02	85	14140	105, 106	MCS-CUPHOLD2	53
7160-0489-00	85	14144	105, 106	MCS-EPIC9	49
7160-0490-00	85	14145	106	MCS-EPIC13	49
7160-0492-01	103	14146	105, 106	MCS-EPIC17	49
7160-0492-03	103	14327	72	MCS-EPICMIC	56
7160-0493	70	14328	72	MCS-ERGOBOX12	49
7160-0494	80	14329	72	MCS-INTCUP	53
7160-0496	91	14330	72	MCS-LOWBOX	50
7160-0497	34	14331	72	MCS-MICPLT	56
7160-0498	71	14332	72	MCS-POCKET3	54
7160-0499	70	14361	77	NP-PAN-CRADLE	89
7160-0500	34	14422	43	QADJ-UPPER-L	30
7160-0502	34	14619	59	QADJ-UPPER-L5	30
7160-0504	70	14649	105, 106	QADJ-UPPER-M	30
7160-0505-00	98	14650	88, 92	QADJ-UPPER-M5	30
7160-0505-02	98	14830	103	QADJ-UPPER-S	30
7160-0507	74	15029	85, 92	QADJ-UPPER-S5	30
7160-0508	80	15065	70		

RUGGED.

DOCKING STATIONS AND VEHICLE MOUNTS

3001 Borham Ave.
Stevens Point, WI 54481

Phone toll-free: 800.741.4530

Fax: 715.344.5209

Fax toll-free: 800.934.3577

email: gamberj@gamberjohnson.com

www.gamberjohnson.com

Your Local Gamber-Johnson Reseller:

Follow us on:



An ISO 9001:2008 Certified Company